

SAS-100-CM Ceiling Mount Adjustable Tilt Cable Application Installation Instructions

Thank you for selecting the SAS-100-CM Steerable Speaker Ceiling Mount. This universal ceiling speaker mount provides a 360° pan angle adjustment. It suspends and precisely aims speakers equipped with rigging points from ceilings and other structural overhead surfaces.

Important:

Mounting and rigging video equipment requires experienced professionals. **Improperly installed video equipment can result in property damage, personal injury, death and/or liability to the installing contractor.** Do not install if in doubt about the integrity of the mounting structure.

Caution:

Due to the wide variety of building structures, materials and mounting methods, these instructions assume that the installing the contractor/installer will exercise good judgment in selecting proper mounting area and hardware.

As a guide, the installation, when completed should be capable of supporting at least 5 times the actual applied load.

Follow these instructions for the most efficient and safest mounting results.

Step 1. Install Ceiling Plate:

Secure the ceiling plate above a structurally sound horizontal grid. Be sure the ceiling plate center is level and directly above your desired suspension point (Figure 1). *If you have doubts about the integrity of the structure you are mounting to, or you are not sure about the proper hardware to use, consult your local hardware specialist.*

Step 2. Install Extension Coupler:

Thread the extension coupling into the threaded hub of the ceiling plate, then place the wire mesh cover around it (Figure 1).

Step 3. Assemble the Cross Arm:

Permanently attach the eyebolts to the cross bar with flat washers and Nylock nuts then the end caps (Figure 2).

Step 4. Assemble the Center Hub:

Assemble the hub to the cross arm using the hex bolt, washers, Teflon washer and Nylock nut. Insert the cotter pin into the hole of the 1/2" bolt then fold the end to secure (Figure 3).

Step 5. Install Cross Arm to Ceiling Plate:

Align and hand thread the hubcap of the cross arm assembly over the extension coupling inside the ceiling plate. Use a pipe wrench to tighten connection permanently (Figure 4). Slip mesh evenly over both hubs.

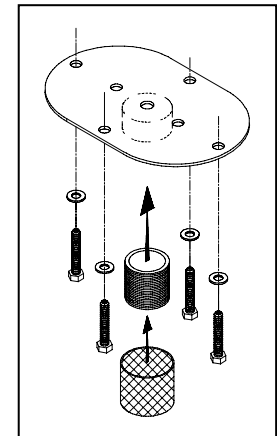


Figure 1

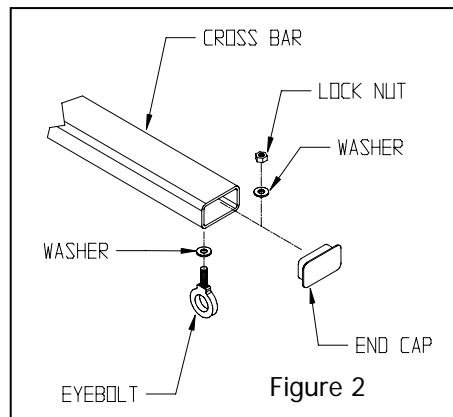


Figure 2

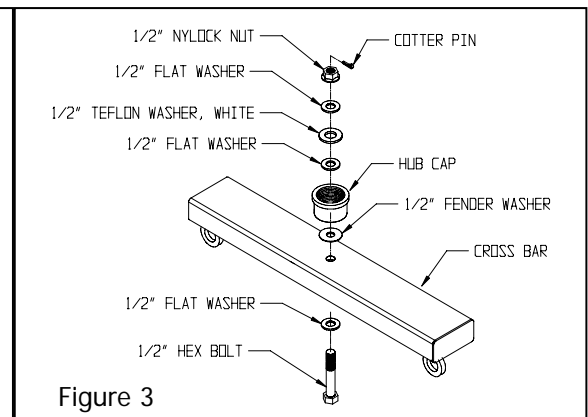


Figure 3

Step 6. Prepare Loudspeaker:

Attach eyebolts, fly track or required other attachments to the speaker cabinet (Figure 5). If using the optional Adjustable Tilt Cable Kit, see *Adjustable Tilt Cable Kit data sheet for kit selection, methods of attachment and aiming.*

Step 7. Install Selected Fixed Cables:

Identify the fixed cables from the selected Adjustable Tilt Cable Kit (Ordered separately). Attach one (1) fixed cable to each front attachment point of the speaker using the 5/16" shackles (Figure 5). Secure the screw pin to the shackle using the included cable tie to prevent the pin from rotating out (Figure 8).

Step 8. Install Adjustable Tilt Cable:

Capture the eye of the pulley of the adjustable tilt cable kit to the back attachment point of the speaker using the 1/4" shackle (Figure 6). Secure the pin to the shackle using the included cable tie to prevent the pin from rotating out (Figure 8).

Step 9. Suspend the Speaker from the Cross Arm:

Using a 5/6" shackle, attach the clutch lock eye of the adjustable cable and one fixed cable to one eyebolt of the cross arm. Attach the other end of the adjustable cable and the other fixed cable to the other cross arm eyebolt with a 5/16" shackle (Figure 6). Fully tighten shackle pins and secure with the included tie wraps (Figure 8).

Step 10. Adjust the Pan Angle:

Hold both ends of the cross bar then slightly turn horizontally (clockwise or counter clockwise) until desired direction is achieved (Figure 7).

Step 11. Adjust the Tilt Angle:

Loosen the lock nut on the clutch lock halfway then pull the free end of the adjustable tilt cable up while supporting the weight of the speaker until desired tilt angle is achieved. Tighten lock nut to secure tilt angle. To release tilt angle, loosen the locknut halfway and depress plunger while supporting the weight of the speaker until desired tilt angle is achieved then release the plunger (Figure 9).

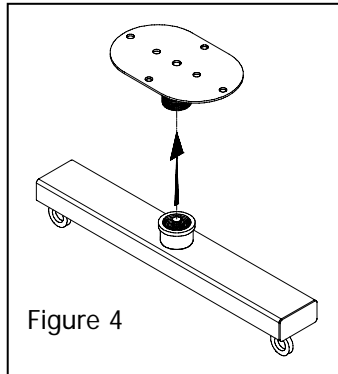


Figure 4

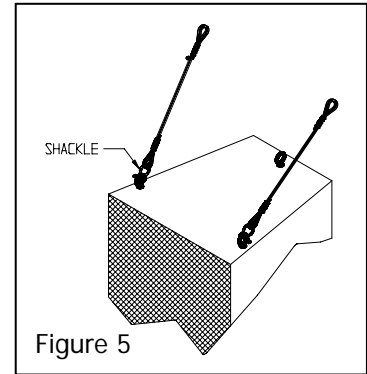


Figure 5

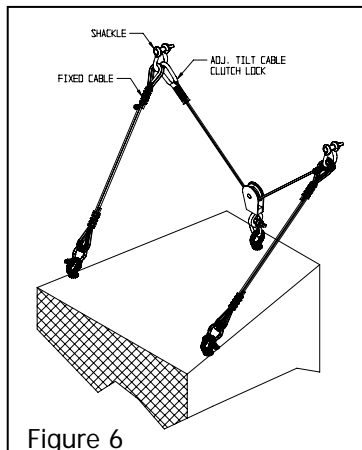


Figure 6

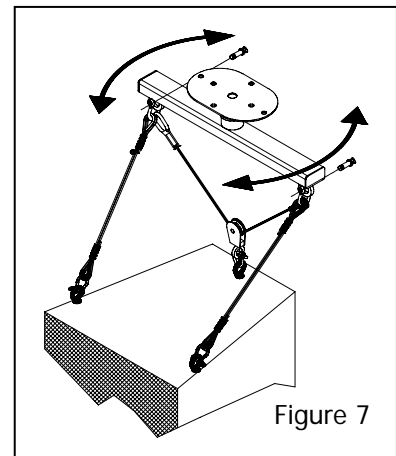


Figure 7

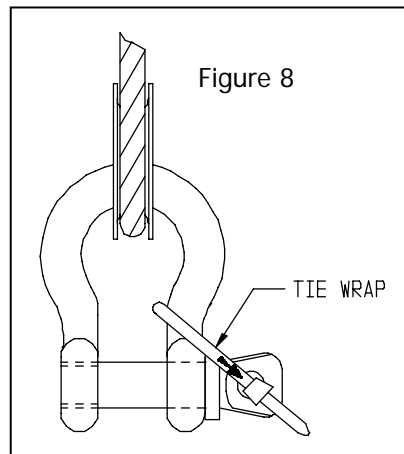


Figure 8

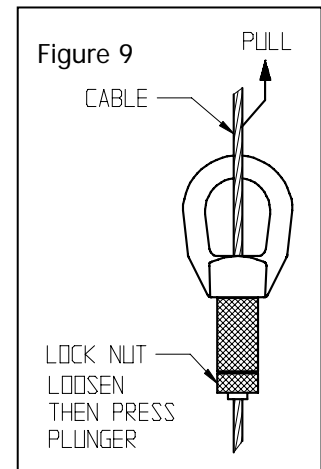


Figure 9



Allen Products Company Inc.

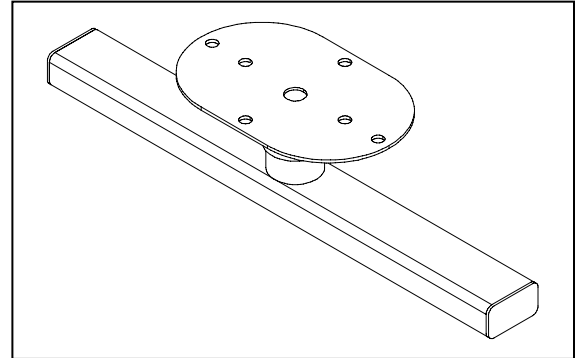
1635 E. Burnett Street
Signal Hill, CA 90755 USA
Tel: (562) 424-1100 Fax: (562) 424-3520
Web Site: www.allenproducts.com

SAS-100-CM Ceiling Mount U-Bracket Application Installation Instructions

Thank you for selecting the Steerable SAS-100-CM Ceiling Mount. This universal ceiling speaker mount provides a 360° pan angle adjustment. It suspends and precisely aims speakers equipped with rigging and mounting points from ceilings and other structural overhead surfaces.

Important:

Mounting and rigging video equipment requires experienced professionals. ***Improperly installed video equipment can result in property damage, personal injury, death and/or liability to the installing contractor.*** Do not install if in doubt about the integrity of the mounting structure.



Caution:

Due to the wide variety of building structures, materials and mounting methods, these instructions assume that the installing contractor/installer will exercise good judgment in selecting the proper mounting area hardware.

As a guide, the installation, when completed should be capable of supporting at least 5 times the actual applied load.

Follow these instructions for the most efficient and safest mounting results.

Step 1. Install Ceiling Plate:

Secure the ceiling mount above a structurally sound horizontal grid. Be sure the ceiling plate center is level and directly above your desired suspension point (Figure 1). *If you have doubts about the integrity of the structure you are mounting to, or you are not sure about the proper hardware to use, consult your local hardware specialist.*

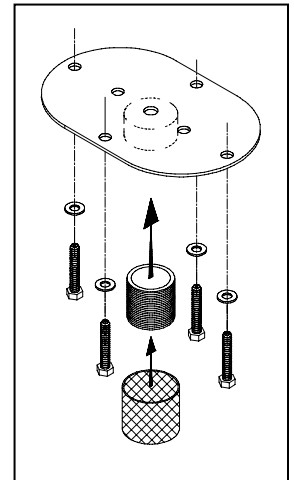


Figure 1

Step 2. Install Extension coupler:

Thread the extension coupling into the threaded hub of the ceiling plate then place the wire mesh cover around it (Figure 1).

Step 3. Attach Selected U-Bracket to Cross Arm:

Attach the selected U-Bracket to the cross arm using four 1/4-20 screws, 1/4" flat washers and locknuts. Do not tighten. Make sure the 1/2" diameter center hole of the U-Bracket clears the center hole of the cross arm (figure 2).

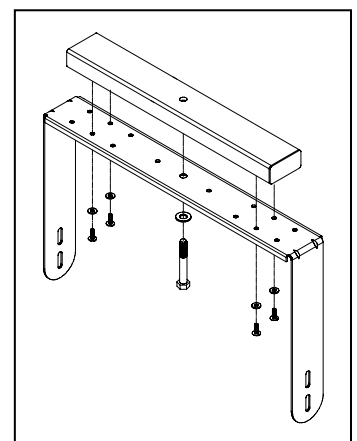


Figure 2

Step 4. Assemble Hubcap to Cross Arm:

Attach the hubcap to the cross bar/U-bracket assembly, first with the 1/2 hex bolt from under the U-Bracket then the washers and nut (Figure 3). Tighten permanently but do not over tighten. Insert cotter pin into the hole of the 1/2" bolt then secure the ends around the bolt. Tighten the U-bracket's 1/4-20 screws permanently (Figure 3).

Step 5. Join Cross Arm to Ceiling Plate:

Align and hand thread the hubcap of the cross arm assembly over the extension coupling inside the ceiling plate. Use a pipe wrench to tighten connection permanently (Figure 4). Slip mesh over hub.

Step 6. Attach Speaker:

Attach Speaker to selected U-Bracket (*See U-bracket Instruction sheet for speaker installation*).

Step 7. Adjust the Pan Angle:

Hold both ends of the cross bar then slightly turn horizontally (clockwise or counter clockwise) until desired direction is achieved (Figure 5).

Step 8. Adjust the Tilt Angle:

See *U-bracket Instruction sheet*.

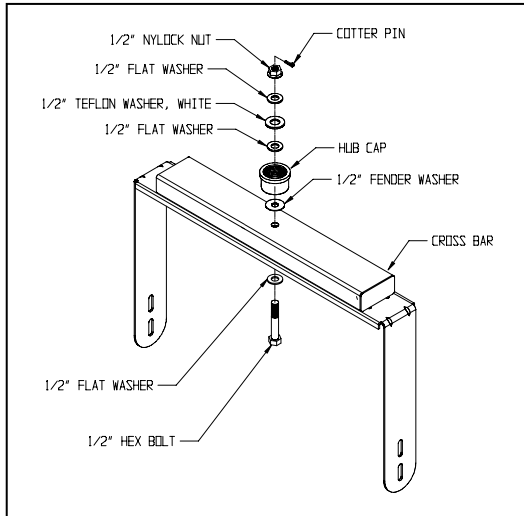


Figure 3

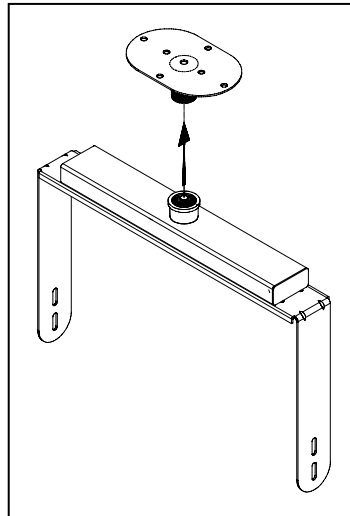


Figure 4

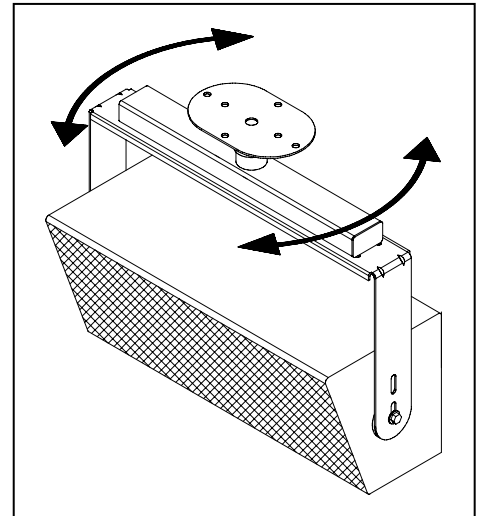


Figure 5



Allen Products Company Inc.

1635 E. Burnett Street
Signal Hill, CA 90806 USA
Tel: (562) 424-1100 Fax: (562) 424-3520
Web Site: www.allenproducts.com