



# FASPAC

## Arraying System

### Cluster Pack Planar Array Kit

The low profile FasPac array kits provide a wide variety of configurations for EAW AX Series loudspeaker cabinets. FasPac allows users the flexibility to create clusters up to three cabinets wide or three tiers high.

FasPac provides an easy and safe way to fly tightly packed loudspeakers in a planar array fashion then steer the array as one unit. In addition, FasPac offers precise splay angling between cabinets to allow for the distance from the audience. Once clustered together, the array may be steered using the one-Way-Array® and tilted by way of the Steerables® Tilt Cable kit.

Array plates gives designers the ability to create a variety of required configurations for each specific project. In addition, installers will save time assembling the loudspeakers together providing for a smooth predictable installation.

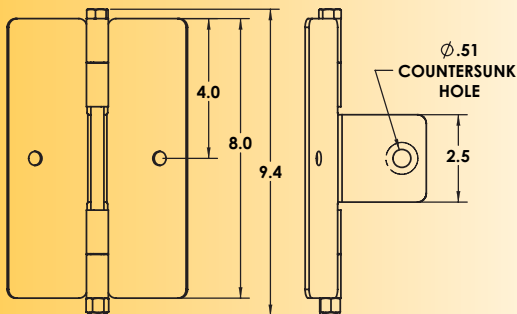


**SPECIFICATIONS:**

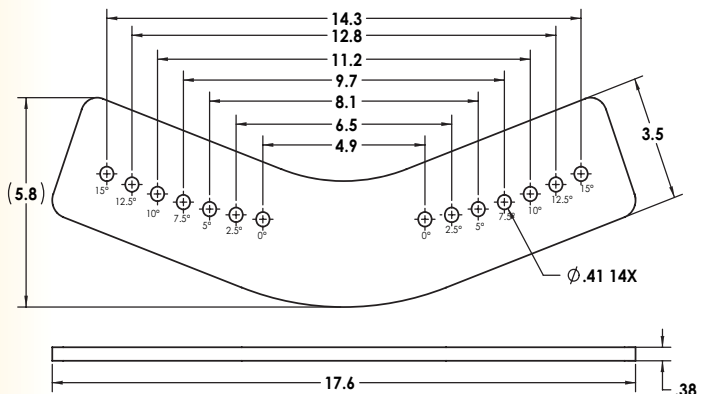
<b>Material:</b>	<b>Structural steel alloy</b>
<b>Finish:</b>	<b>Powder coat</b>
<b>Colors:</b>	<b>Black and white</b>
<b>Design factor:</b>	<b>5:1</b>
<b>Working load limit:</b>	<b>400 lbs</b>
<b>7-0703 Joiner plate:</b>	<b>6.26 lbs / 2.8 kg</b>
<b>7-0729 Rear hinge assembly:</b>	<b>2 lbs / .90 kg</b>

**OPTIONAL ACCESSORIES:**

1. Steerables™ tilt cable kit (standard or custom)
2. Gridlink™ rigging beams
3. Add-on suspension eyebolt kit
4. Load rated hardware
5. Bridle and suspension cables (standard and custom)



7-0729 Rear Hinge Assembly



7-0703 Joiner Plate



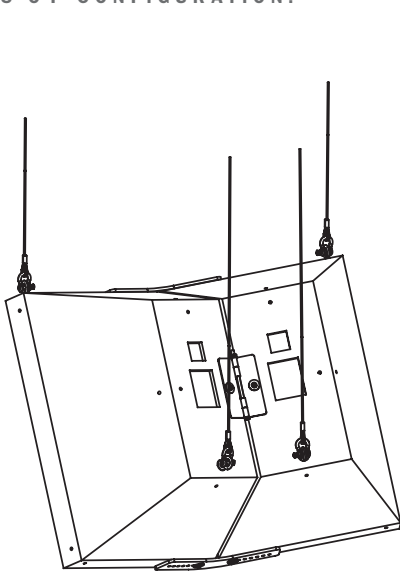
A division of:  
**ADAPTIVE TECHNOLOGIES GROUP**  
 1637 E. Burnett Street  
 Signal Hill, CA 90755 USA  
 PH: 562.424.2200 FX: 562.424.1127

[www.atmflyware.com](http://www.atmflyware.com)

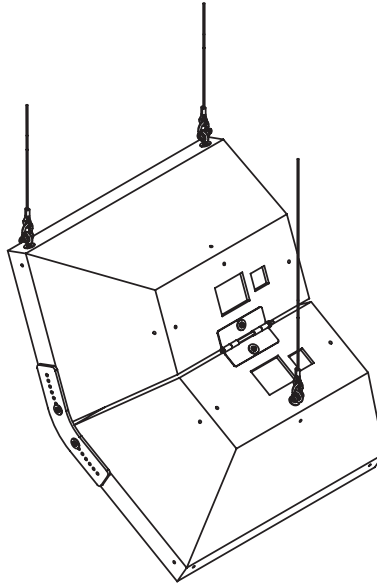
# FASPAC Araying System

## Cluster Pack Planar Array Kit

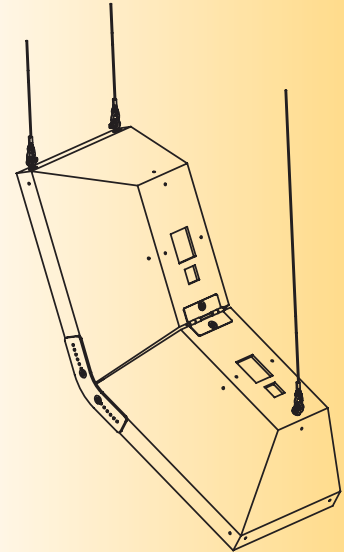
TYPES OF CONFIGURATION:



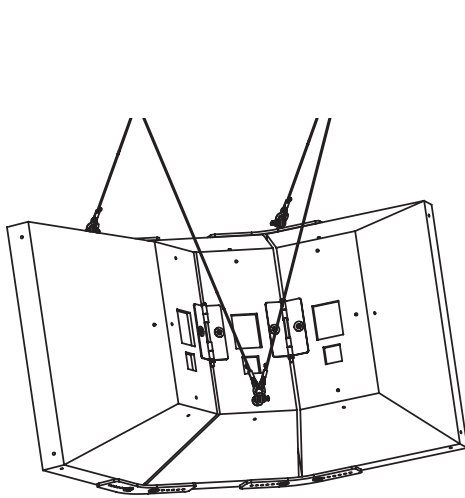
**TWO-WAY PLANAR ARRAY**  
 PART #: FP-AX-2-B (W)  
 (2 WIDE X 1 DEEP PLANAR ARRAY KIT)  
 (2 AX SERIES SPEAKERS)



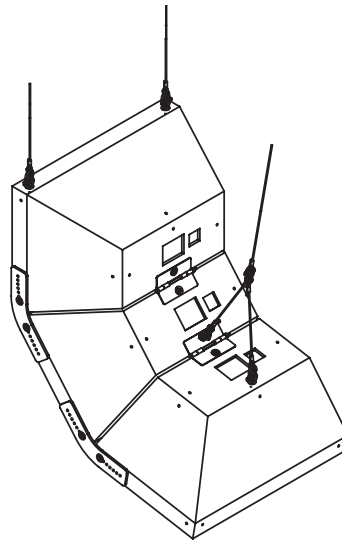
**TWO WAY LINE ARRAY (HORIZONTAL)**  
 PART #: FP-AX-2-B (W)  
 (1 WIDE X 2 DEEP LINE ARRAY KIT)  
 (2 AX SERIES SPEAKERS)



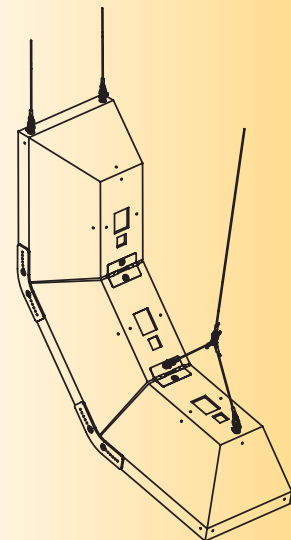
**TWO WAY LINE ARRAY (VERTICAL)**  
 PART #: FP-AX-2-B (W)  
 (1 WIDE X 2 DEEP LINE ARRAY KIT)  
 (2 AX SERIES SPEAKERS)



**THREE WAY PLANAR ARRAY**  
 PART #: FP-AX-3-B (W)  
 (3 WIDE X 1 DEEP PLANAR ARRAY KIT)  
 (3 AX SERIES SPEAKERS)



**THREE WAY LINE ARRAY (HORIZONTAL)**  
 PART #: FP-AX-3-B (W)  
 (1 WIDE X 3 DEEP LINE ARRAY KIT)  
 (3 AX SERIES SPEAKERS)



**THREE WAY LINE ARRAY (VERTICAL)**  
 PART #: FP-AX-3-B (W)  
 (1 WIDE X 3 DEEP PLANAR ARRAY KIT)  
 (3 AX SERIES SPEAKERS)



A division of:  
**ADAPTIVE TECHNOLOGIES GROUP**  
 1637 E. Burnett Street  
 Signal Hill, CA 90755 USA  
 PH: 562.424.2200 FX: 562.424.1127

[www.atmflyware.com](http://www.atmflyware.com)

**WARNING:** Mounting and/or suspension loudspeakers requires experienced professionals. Improperly installed loudspeakers can result in property damage, personal injury and/or liability to the installing contractor.



MADE IN THE USA

ALWAYS USE SAFETY CABLES.