

PM-DA-48-G

DUAL ADAPTER - GALVANIZED

300 lb WLL

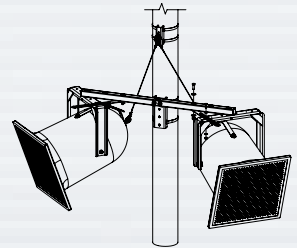
PoleStar®



2-WAY MOUNTING - WITH PM-MOUNT-6UP-G

The Dual Adapter support arm is an outdoor accessory to the PM-24-6UP-G Support Arm and PM-MOUNT-6UP-G produced from galvanized steel and provides an innovative way to mount and aim two loudspeakers and other objects (of equal weight and mass) from the same Pole or column, 6" inches in diameter or more.

A variety of available mounting holes permit speakers to be installed closer or further from the pole to provide clearance for different down tilt angles. Hardware is included to secure it to the pole adapter and/or support arm. Yokes and U-Brackets are not included.



with Pan Locks



3-WAY MOUNTING - WITH PM-24-6UP-G

SPECIFICATIONS:

Material: Steel
Finish: Galvanized
Color: Silver
WLL: 300 lb / 136.078
*WLL = Working Load Limit

PACKAGE CONTENTS:

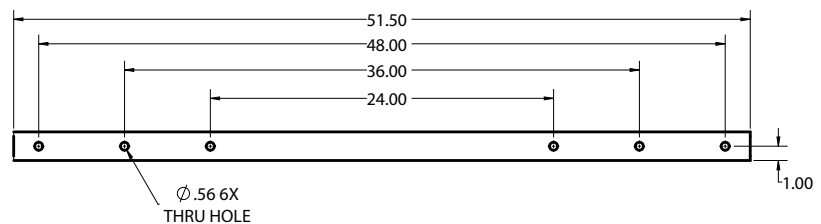
1 pc Dual adapter mount
1 pc Hardware kit.
2 pcs Pan Lock kit



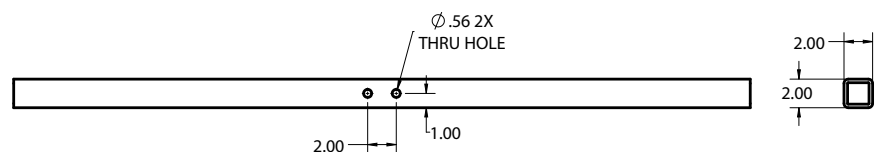
Rated for outdoor use.

DIMENSIONS:

Top View



Front View



STANDARD FEATURES:

- ▶ Galvanized Steel
- ▶ Load rated hardware
- ▶ Choice of mounting holes
- ▶ Cosmetic trim components included
- ▶ Job-site ready

OPTIONAL ACCESSORIES:

- ▶ PM-SAFETY-6DOWN Safety Cable Anchor
- ▶ See Safety Cable Datasheet

Adaptive Technologies Group
1635 E. Burnett Street | Signal Hill, CA 90755 USA
Ph: 562.424.1100 | Fax: 562.424.3520
www.adaptivetechologiesgroup.com



ALWAYS INSTALL SAFETY CABLES

WARNING: Mounting and/or suspension of equipment requires experienced professionals. Improperly installed equipment can result in property damage, personal injury and/or liability to the installing contractor.

PM-DA-48-G

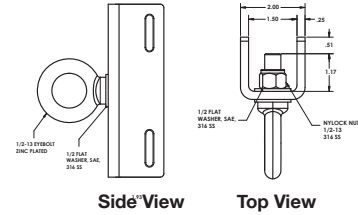
300 lb WLL

OPTIONAL ACCESSORIES

PoleStar®

SAFETY ANCHOR / PM-Safety-6DOWN:

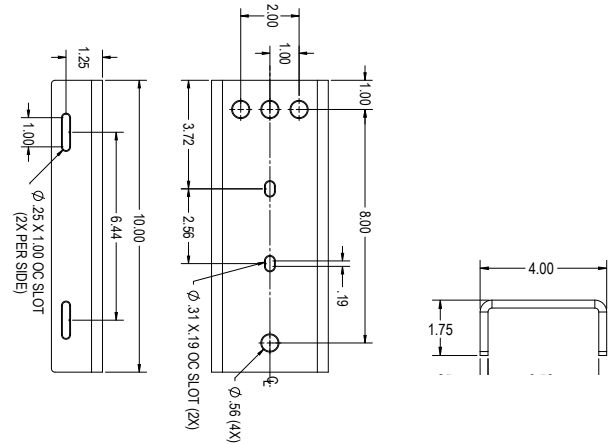
When the pole or column does not offer an adequate way to attach safety cables, specify the PM-Safety-6DOWN and corresponding band kit. This mount provides a structural method for anchoring safety cables. It installs above the dual adapter and safety cables are then secured to the safety anchor and each loudspeaker, thus by-passing the dual adapter completely.



POLE ADAPTER / PM-MOUNT-6UP:

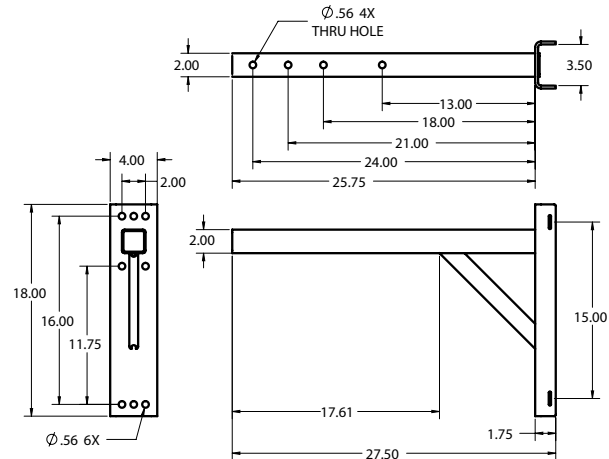
6" Diameter & Larger

For 6"/154mm diameter and larger poles and columns, use the PM-Mount- 6UP-G. This adapter offers a natural finish and supports up to 300 lb./68 Kg, in a vertical load with a 5:1 design factor. It is supported by the PM Series Support Arm, Dual Adapter and includes hardware for their attachment. There are two standard permanent band kits available in different lengths and are sold separately. Custom lengths are also available.



SUPPORT ARM / PM-24-6UP-G:

The PM Series Support Arm provides a way to install three speakers to a single pole, and supports the stated working load of the selected pole adapter. Three different mounting holes allow for placement relative to the pole to allow clearance for tilt rotation. Decorative hole covers provide a finished look and hardware is included to secure Yoke and U-Bracket style mounts.



SAFETY CABLES

These stainless safety cables provide a safety back up for mounted objects, especially when subjected to extreme weather. Secure the safety cable to the mounted object and the mounting structure with minimal slack to bypass the mount, should it ever fail.

Model #	Length (Loop to Loop) Inches/mm	Indoor	Outdoor	Description QTY & Contents	Material	Light Duty	Med Duty	Static WLL(lbs/kg)
SC-188-18-SS	18"/450	✓	✓	3/16" Wire Rope 7X19 (2) 1/4" Shackle	Stainless Steel		✓	750/ 340
SC-188-24-SS	24"/610	✓	✓	3/16" Wire Rope 7X19 (2) 1/4" Shackle	Stainless Steel		✓	750/ 340
SC-188-30-SS	30"/762	✓	✓	3/16" Wire Rope 7X19 (2) 1/4" Shackle	Stainless Steel		✓	750/ 340
SC-188-48-SS	48"/1220	✓	✓	3/16" Wire Rope 7X19 (2) 1/4" Shackle	Stainless Steel		✓	750/ 340