

CG-150NPS-PEC

415 lb WLL

PIPE COUPLER 1-1/2" SCHED 40

Pipe Attachments



Pipe Coupler attached to Truss Clamp

The CG-150NPS-PEC pipe coupler adapts 1-1/2" Sched 40 pipe under truss clamps and beam clamps and allows installers the option to suspend objects using half inch diameter pipe. .



Pipe Coupler attached to Beam Clamp

Star Grid[®]
Compatible Component

STANDARD FEATURES:

- ▶ Adapts 1-1/2" pipe to Truss and Beam Clamps

OPTIONAL ACCESSORIES:

- ▶ MM-3RDX-120 Speaker Mount
- ▶ See Safety Cables datasheets
- ▶ See Truss Clamp datasheets
- ▶ See Beam Clamp datasheets

SPECIFICATIONS:

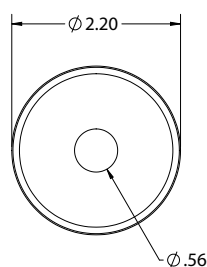
Material: Steel
Finish: Powder Coat
Color: Black
WLL: 415 lb / 188 Kg

PACKAGE CONTENTS:

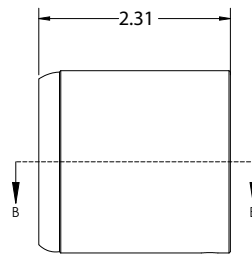
1pc 1.5"-11.5"NPS Pipe End Cap
1pc 1/2"-13" x 1.5" Hexbolt
1pc 1/2" Washer
1pc 1/2"-13 Nyloc Nut



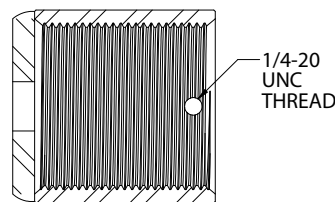
DIMENSIONS:



Top View

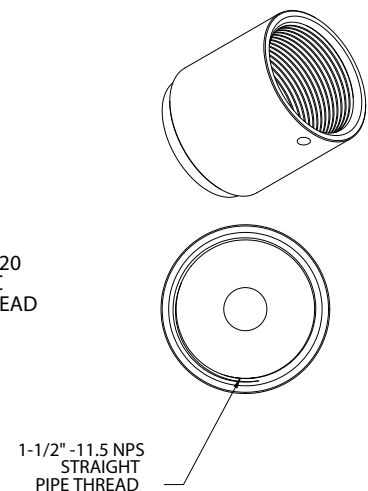


Side View



Internal View

SECTION B-B



Adaptive Technologies Group
1635 E. Burnett Street | Signal Hill, CA 90755 USA
Ph: 562.424.1100 | Fax: 562.424.3520
www.adaptivetechgroup.com



ALWAYS INSTALL SAFETY CABLES

WARNING: Mounting and/or suspension of equipment requires experienced professionals. Improperly installed equipment can result in property damage, personal injury and/or liability to the installing contractor.