

# PIPE-1.5-500-PR

1-1/2 INCH THREADED PIPE TO 1/2 INCH THREADED PIPE REDUCER

Pipe & Attachments



Use the PIPE-1.5-500-PR Pipe reducer to join schedule-40 1/2" and 1-1/2" sections of pipe together. It's female threads are not tapered to allow threaded pipe ends to insert all the way into the reducer for a clean appearance and set screws are included to prevent loosening over time.



## STANDARD FEATURES:

- ▶ Straight threads for cosmetics
- ▶ Set screws make installation permanent

## OPTIONAL ACCESSORIES:

- ▶ Pipe-500 Schedule 40 1/2" Pipe
- ▶ Pipe-150 Schedule 40 1-1/2" Pipe

## SPECIFICATIONS:

**Material:** Steel  
**Finish:** Black Zinc  
**Color:** Black  
**WLL:** Meets or exceeds strength of pipe

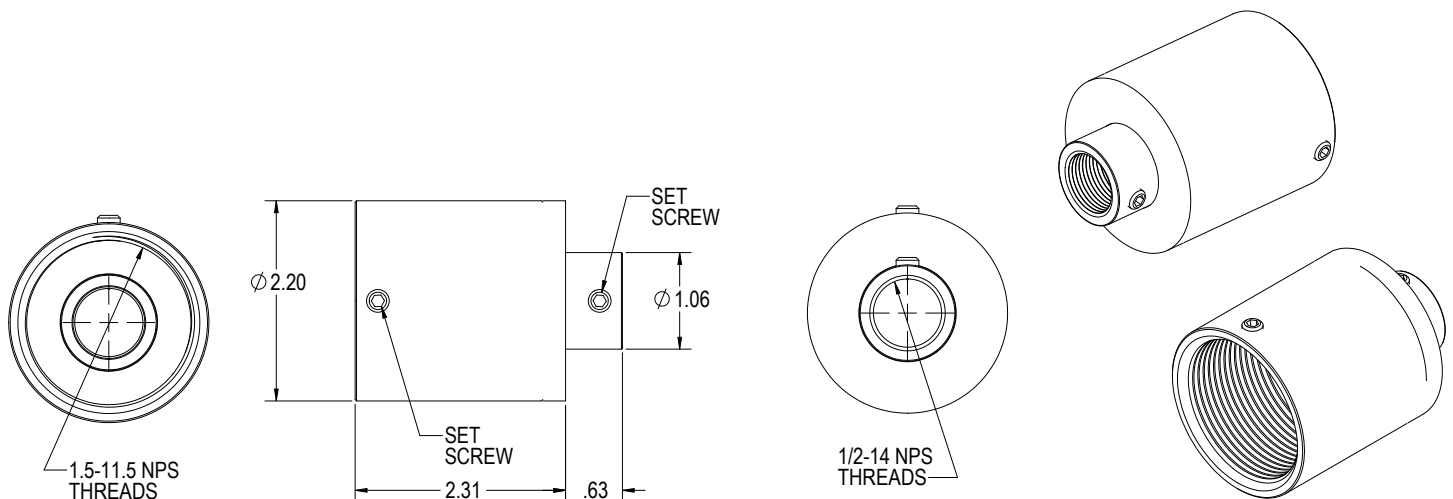
## PACKAGE CONTENTS:

**1pc** - 1.5" Pipe to .5" Reducer  
**2pcs** - Set screws



Rated for indoor use.

## DIMENSIONS



**Adaptive Technologies Group**  
1635 E. Burnett Street | Signal Hill, CA 90755 USA  
Ph: 562.424.1100 | Fax: 562.424.3520  
www.adaptivetechgroup.com



## ALWAYS INSTALL SAFETY CABLES

**WARNING:** Mounting and/or suspension of equipment requires experienced professionals. Improperly installed equipment can result in property damage, personal injury and/or liability to the installing contractor.