

PS-150NPS-2

240 lb WLL

SADDLE BRACKET TRUSS MOUNT

MOUNT-WARE



1-1/2" dia. Pipe Clamp

Adaptive Saddle Truss Mounts provide a load rated vertical hang point from overhead truss and offers a secure and load rated suspension point for 1-1/2" diameter schedule 40 pipe (NPT & NPS). Saddle Mounts attach directly to box trussing, lighting truss and pipe applications with cord diameters measuring between 1-3/8" OD" to 2-1/2" OD". Provides a connection to 1-1/2" schedule 40 Adaptive pipe adapters. This clamp comes powder coated with a built in set-screw lock, two U-Bolts and related hardware. Applications include stages, auditoriums, theatres, studios, theme parks, rental and staging events, etc.



STANDARD FEATURES:

- ▶ Provides load rated suspension point for 1.5" pipe
- ▶ Accommodates up to 2 1/2" diameter pipe & box truss
- ▶ Powder coat finish
- ▶ Hardware included

OPTIONAL ACCESSORIES:

- ▶ Pipe Extension Fixed Length
- ▶ Pipe Extension Adjustable Length

SPECIFICATIONS:

Material: Structural Steel Alloy

Finish: Powder Coat

Color: Black

WLL: 240 lb / 109 kg max.

Design Factor: 5:1 ratio

PACKAGE CONTENTS:

1pc Saddle bracket assembly

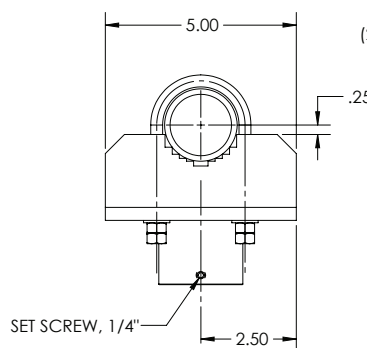
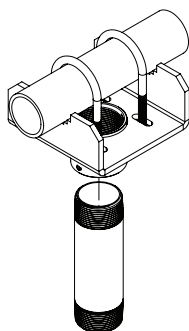
1 set U-Bolt Kit



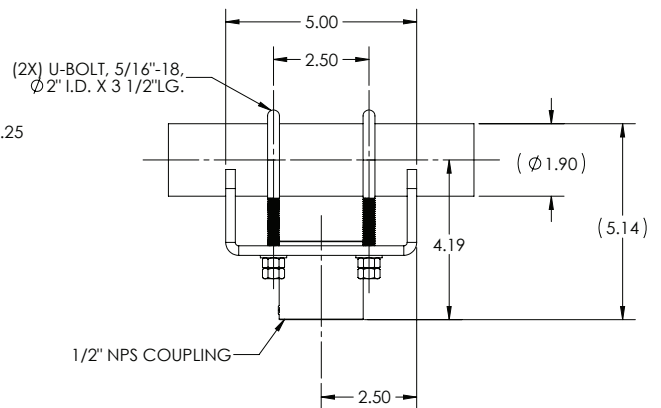
Rated for indoor use.

DIMENSIONS:

Vertically Mounted
Load rated



End View



Side View

Adaptive Technologies Group
1635 E. Burnett Street | Signal Hill, CA 90755 USA
Ph: 562.424.1100 | Fax: 562.424.3520
www.adaptivetechgroup.com



ALWAYS INSTALL SAFETY CABLES

WARNING: Mounting and/or suspension of equipment requires experienced professionals. Improperly installed equipment can result in property damage, personal injury and/or liability to the installing contractor.