

MM-120-5122-AP

120 lb. WLL

QSC 5122 ADAPTER PLATE

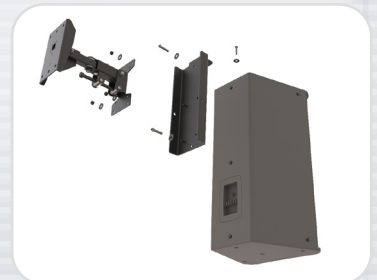
MULTIMOUNT®



The MM-120-5122-AP Adapter, when used with the MM-120 wall mount, allows the QSC 5122 loudspeaker to be mounted and aimed from a wall and suspended and aimed from a ceiling using the MM-3RDX-120 ceiling mount (see separate data sheets), both of which offer pan and tilt aiming capabilities. The MM-3RDX-120 also offers a clockwise rotation. This Adapter, which is powder coated black to match the wall and ceiling mount finish, bolts directly to the speaker's rigging points and provides four threaded studs that secure to the MM-120 and MM-3RDX-120 mounts.

- This product accompanies the MM-120 and MM-3RDX-120. It may not be used by itself.

- *Only Simple Hand tools required.



STANDARD FEATURES:

- ▶ Adapts MM-120 and MM-3RDX-18 to QSC 5122 Surround

OPTIONAL ACCESSORIES:

- ▶ MM-120 Wall Mount
- ▶ MM-3RDX-18 Ceiling Mount
- ▶ Safety Cable Kits
- ▶ Ceiling Mount Kits
- ▶ Pipe Extensions

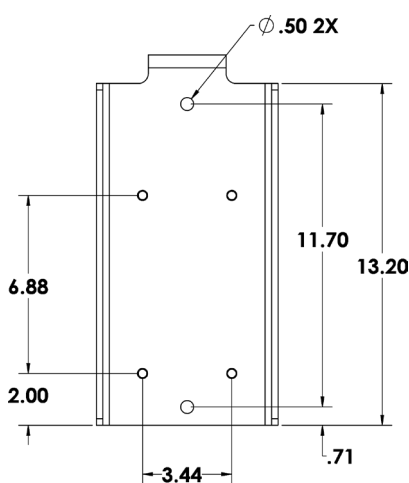
SPECIFICATIONS:

Materials: Structural Steel Alloy
Finish: Powder Coat
Color: Black
WLL: 120 lbs. (54 Kg) max.
DES: 5:1

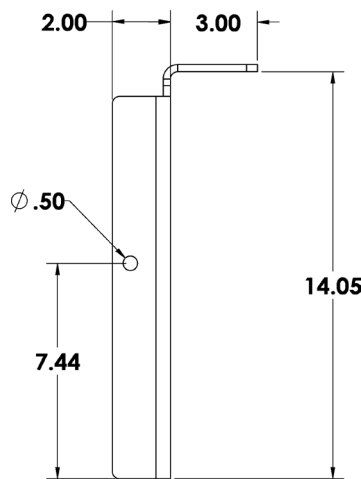
PACKAGE CONTENTS:

1 pc. Speaker Adapt Assy
1 pc. Hardware Kit

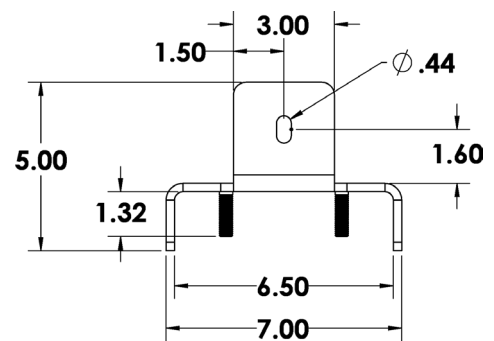
DIMENSIONS:



Front View



Side View



Top View