

MM-120-7315-AP

120 lb. WLL

JBL AM 7315 ADAPTER PLATE

MULTIMOUNT®



The MM-120-7315-AP Adapter, when used with the MM-120 wall mount, allows the JBL AM7315 loudspeaker to be mounted and aimed from a wall or suspended and aimed from a ceiling using the MM-3RDX-120 ceiling mount (see separate data sheets), both of which offer pan and tilt aiming capabilities. The MM-3RDX-120 also offers a clockwise rotation. This Adapter, which is powder coated black to match the wall and ceiling mount finish, bolts directly to the speaker's rigging points and provide four threaded studs that secure to the MM-120 and MM-3RDX-120 mounts.

- This product accompanies the MM-120 and MM-3RDX-120. It may not be used by itself.
- *Only Simple Hand tools required.

STANDARD FEATURES:

- ▶ Adapts MM-120 and MM-3RDX-18 to JBL models AM` 7315

OPTIONAL ACCESSORIES:

- ▶ MM-120 Wall Mount
- ▶ MM-3RDX-18 Ceiling Mount
- ▶ Safety Cable Kits
- ▶ Ceiling Mount Kits
- ▶ Pipe Extensions

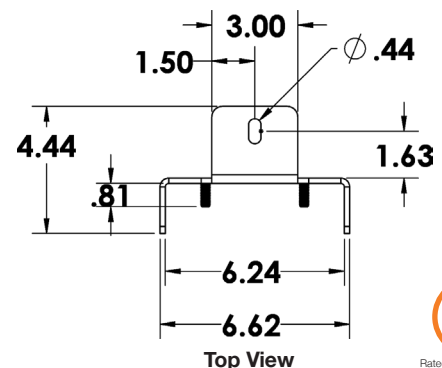
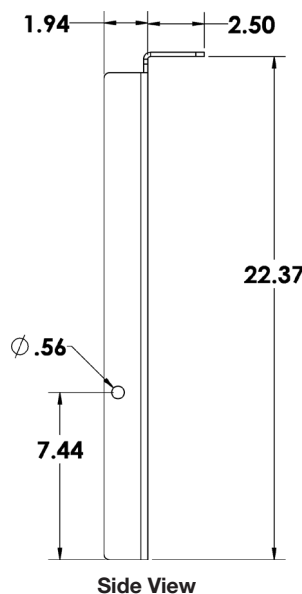
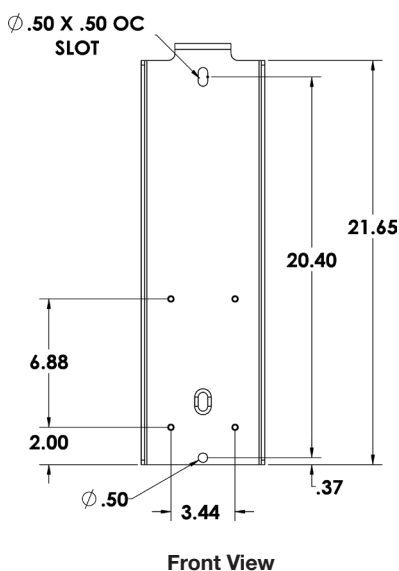
SPECIFICATIONS:

Materials: Structural Steel Alloy
Finish: Powder Coat
Color: Black
WLL: 120 lbs. (54 Kg) max.
DES: 5:1

PACKAGE CONTENTS:

1 pc. Speaker Adapt Assy
1 pc. Hardware Kit

DIMENSIONS:



Rated for indoor use.

Adaptive Technologies Group
1635 E. Burnett Street | Signal Hill, CA 90755 USA
Ph: 562.424.1100 | Fax: 562.424.3520
www.adaptivetechnologiesgroup.com



ADAPTIVE
TECHNOLOGIES GROUP

ALWAYS INSTALL SAFETY CABLES

WARNING: Mounting and/or suspension of audio and video equipment requires experienced professionals. Improperly installed loudspeakers can result in property damage, personal injury and/or liability to the installing contractor.