

Sub Grid RS-56X42-UG-EXT

2000 lb. WLL

EXTENSION FOR OVERHEAD RIGGING FRAME

RIGGING SYSTEM



Universal Grid with Extension

RS-56X42-UG GRID EXTENSION

Attach this optional one piece welded extension frame to the RS-56X168-UG Universal Grid to provide a safe suspension platform for medium to large clusters of subs. It comes equipped with a structural splice kit that permanently joins the extension frame to the main grid. Only simple hand tools are required.

Once attached, the assembled Grid and Extension frames are suspended under the venue's super structure from strategically placed rigging points. The sub cluster is then rigged under the extension from its own Top Grid leaving plenty of room for the main line array cluster to be raked back toward the subs into its optimum position. This extension frame is constructed of tough tubular steel alloy and treated to a rich lasting black powder coat finish.



Grid Frame

STANDARD FEATURES:

- ▶ Permanently supports medium and large sub clusters
- ▶ Secures to Universal Grid
- ▶ Rugged black powder coat finish
- ▶ Outdoor Rated

OPTIONAL ACCESSORIES:

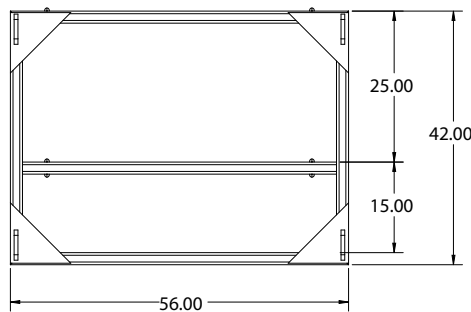
- ▶ See overhead hardware data sheet
- ▶ See wire rope data sheet
- ▶ See safety cable data sheet

SPECIFICATIONS:

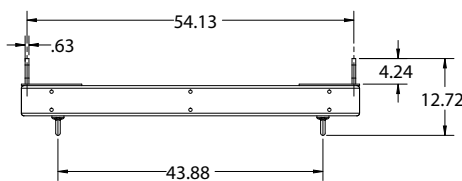
Materials: Structural steel
Finish: Zinc enriched powder coat
Color: Black
WLL: 2000 lb / 909 Kg
Design Factor: 5:1

PACKAGE CONTENTS:

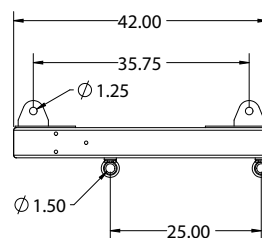
1 pc. Universal Grid Extension
1 set Splice brackets & hardware



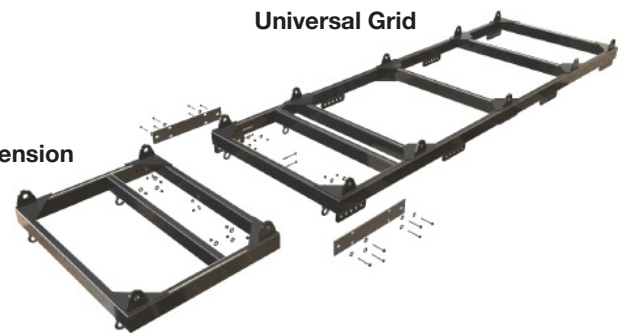
Top View



Front View



Side View



Grid Extension

Universal Grid

