

PULL-BACK RS-VLAI-6/901PB

1800 lb. WLL

PULL BACK FRAME FOR VLA601i LOUDSPEAKERS

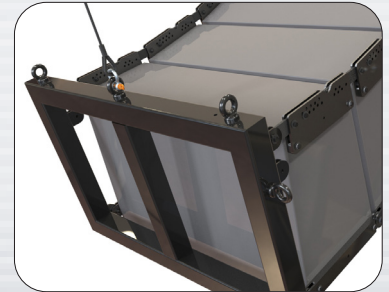
RIGGING SYSTEM



RS-VLAI-6/901PB PULL-BACK

Place clusters into a medium or steep down angle by pulling up on the bottom speaker with the RS-VLAI-6/901PB pull-back frame. This frame locks into the bottom Strap Kit connectors and provides two outer suspension points, as well as one centrally placed.

The RS-VLAI-6/901PB attaches to the bottom of the cluster with four load-rated bolt assemblies and pulled back with wire rope assemblies (supplied by others) that secure to the pull-back points with load rated 1/2" or 5/8" shackles.



STANDARD FEATURES:

- ▶ Supports VLA601i & VLA901i Loudspeakers
- ▶ Secures to the bottom of the speaker cluster
- ▶ Supports Permanent Installations

OPTIONAL ACCESSORIES:

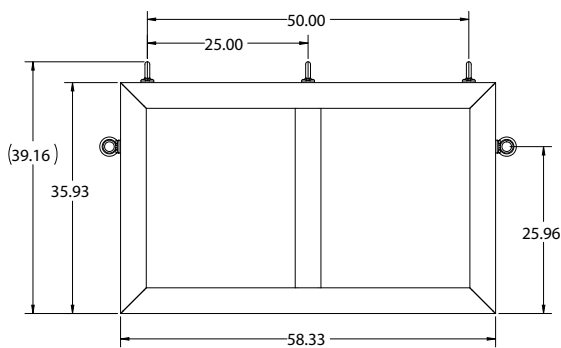
- ▶ See overhead hardware data sheet
- ▶ See wire rope data sheet
- ▶ See safety cable data sheet

SPECIFICATIONS:

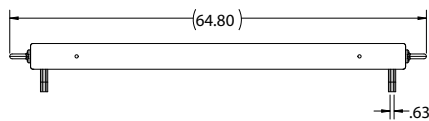
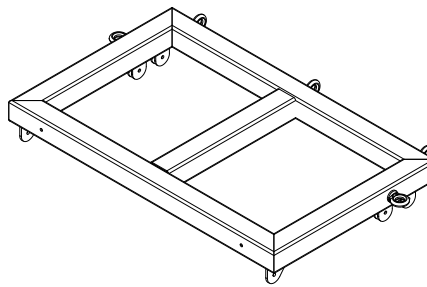
Materials: Structural steel
Finish: Powder coat
Color: Black
WLL: 1800 lb/818 Kg using 2 rigging points
WLL: 1000 lb/455 Kg using 1 rigging point
Design Factor: 5:1

PACKAGE CONTENTS:

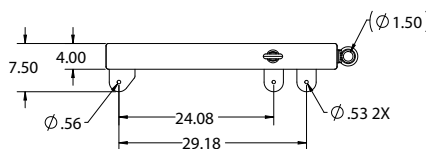
- 1 pc.** Bottom Grid and hardware
- 2 pcs.** Rear links and hardware



Top View



Front View



Side View