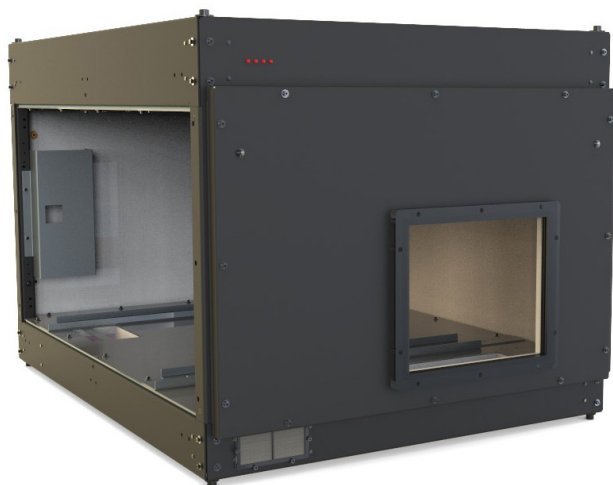


P-BOX-15

INTERNALLY VENTILATED MODULAR PROJECTOR ENCLOSURE

Pro-Lift



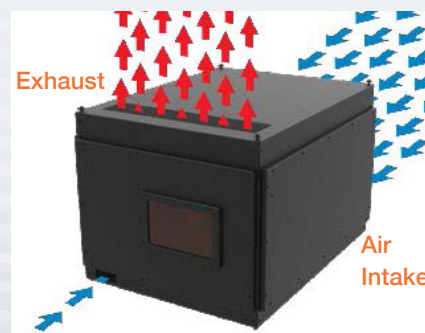
Save valuable space by placing projectors inside auditoriums that dramatically reduce building and TI investment costs.

This quiet-running and internally ventilated enclosure conceals DCI digital projectors inside screen rooms and auditoriums, etc. keeping projectors cool and quiet.

Use this professionally engineered, computer controlled and UL compliant enclosure as a projection Pod or mount it onto one of Adaptive's precision-powered Wall or Scissor Lifts.

An on-board networkable computer controller monitors the integrity of five cooling fans to keep projectors within their optimum temperature range and provides a visual and electronic signal that can notify an NOC.

Features include light-weight aluminum enclosure, power and temperature sensors, Interchangeable front window panels for various lens placements and removable side panels maintenance.



KEY FEATURES:

- ▶ Extensive sound isolation blocks projector fan noise.
- ▶ Internally ventilated, no need for external intake.
- ▶ Air intake filtering to 60 PPI, extends projector life
- ▶ Interchangeable port panels for different projectors
- ▶ Separate power and signal ports minimize static noise
- ▶ Light weight, mostly all aluminum construction
- ▶ Top Mounted Rigging Points
- ▶ All Side Panels are Removable for Service
- ▶ Controller controls internal temp by RPM of fans
- ▶ Space available for 3D Movers

SPECIFICATIONS:

Total Weight: 253lb without projector.

External Dimensions: 52.68" x 40.63" x 33.46" (1338mm x 1032 mm x 850mm)

Internal Dimensions: W=38.2", L =50.39", H=21.84"

Projector noise: <40dB at a distance of 6 feet.

Electrical Power = 230V single phase, 20A

Double 230V outlet Protects Projectors and Equipment.



Rated for indoor use.



P-BOX-15

INTERNALLY VENTILATED PROJECTOR ENCLOSURE

Pro-Lift

LIFT OPTIONS:

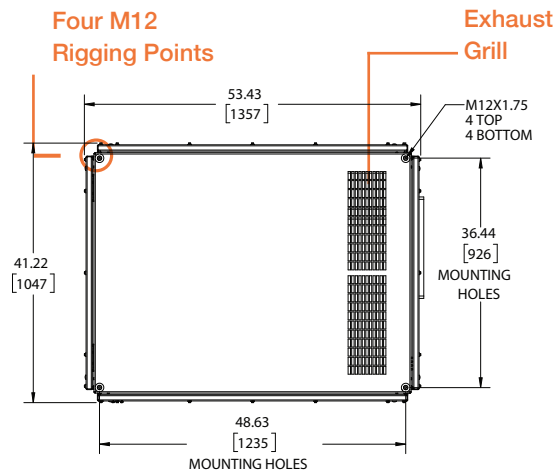


Scissor Lift System.

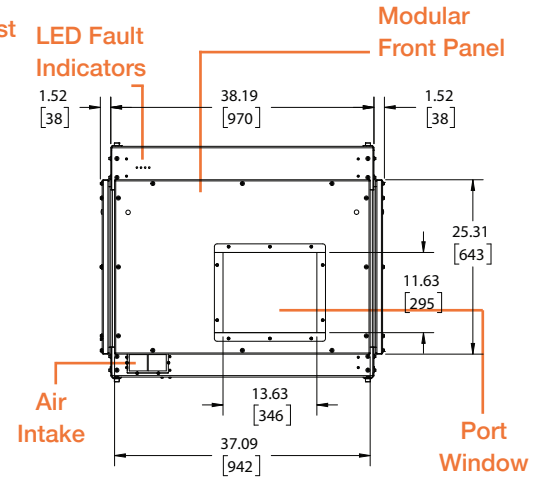


Wall Lift Frames

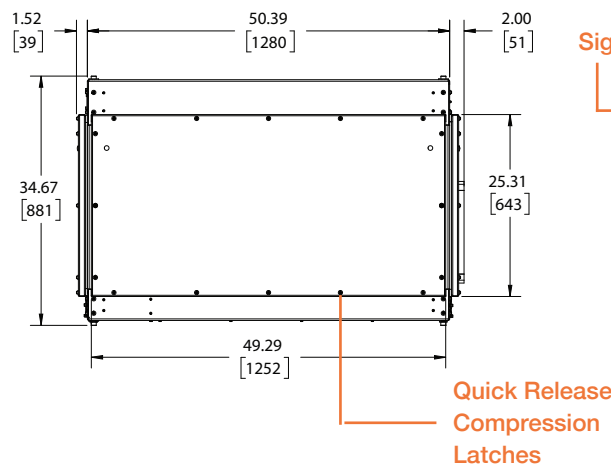
TOP VIEW



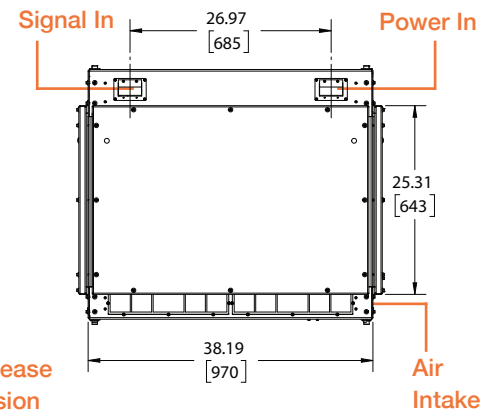
FRONT VIEW



SIDE VIEW



BACK VIEW



PROJECTOR FRONT WINDOW REFERENCE:

MANUFACTURER	PROJECTOR	FRONT WINDOW FRAME
BARCO	SP2K SERIES	P-BOX-1000CR-FD
CHRISTIE	CP2300 SERIES	P-BOX-1000CR-FD
DIGITAL PROJ.	TITAN 37000WU	P-BOX-2215-FD
NEC	NC1202	P-BOX-1000C-FD
NEC	NC1402	P-BOX-1000CR-FD
PANASONIC	PT-RQ35K	P-BOX-2215-FD
PANASONIC	PT-RQ34K	P-BOX-2215-FD

ALWAYS INSTALL SAFETY CABLES

WARNING: Mounting and/or suspension of audio and video equipment requires experienced professionals. Improperly installed loudspeakers can result in property damage, personal injury and/or liability to the installing contractor.

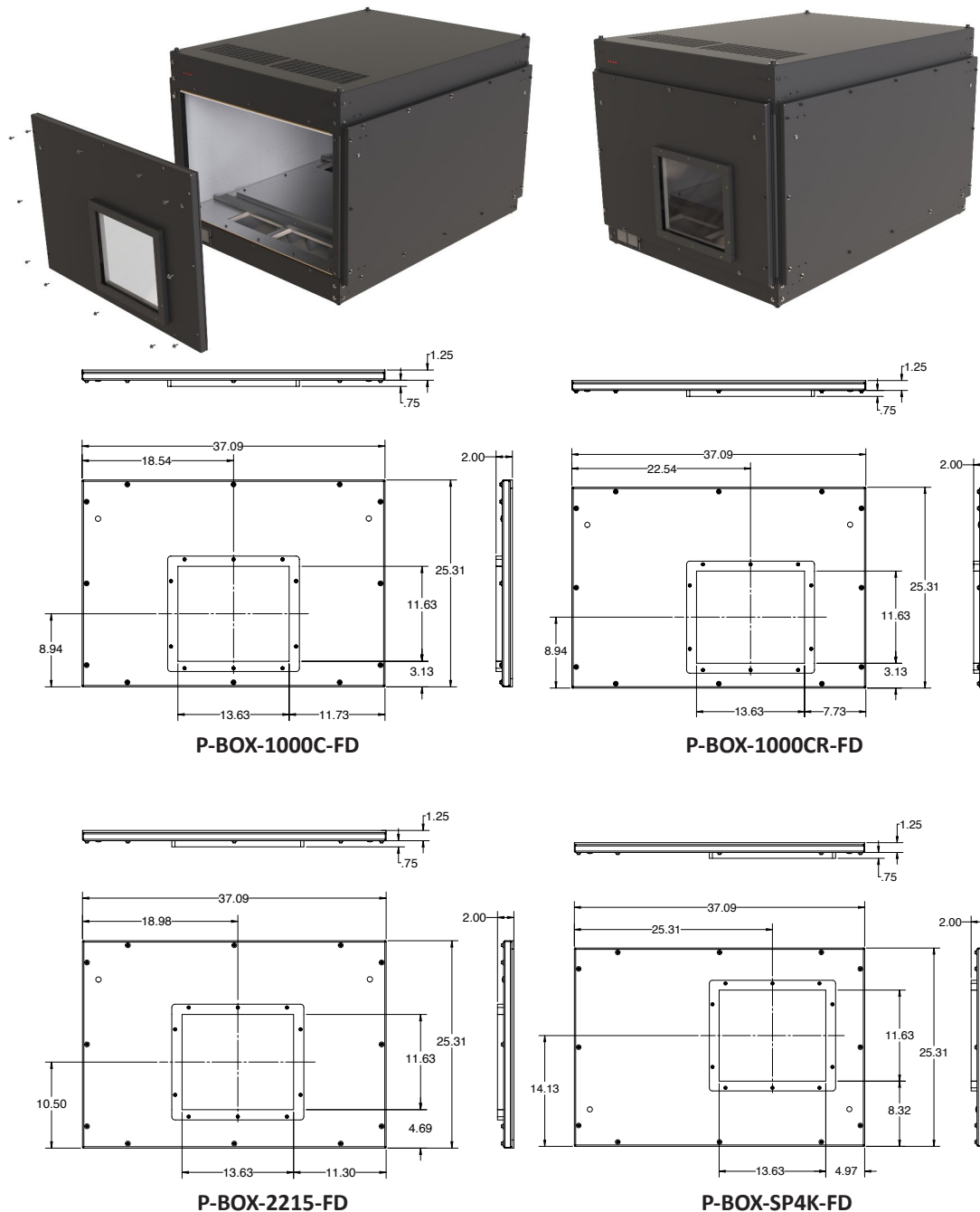
P-BOX-15

INTERNALLY VENTILATED PROJECTOR ENCLOSURE

Pro-Lift

Front Window Frames

Find the projector model you wish to install inside the P-Box-15 sound enclosure in cross reference found on page 2 and select the appropriate model Front Window Frame. If you do not see the projector model you intend to use, please contact customer service for a reference.



Use as a Pod

Adaptive's modular enclosure may be shelf mounted and it also adapts to a variety of UL approved powered Adaptive lifts, including overhead scissor lifts and wall frames. Various lengths are available to suit the needs of the specific auditorium.

Great lengths have been taken to assure an easy installation and trouble free operation for years to come.

Adaptive Technologies Group
1635 E. Burnett Street | Signal Hill, CA 90755 USA
Ph: 562.424.1100 | Fax: 562.424.3520
www.adaptivetechologiesgroup.com

ALWAYS INSTALL SAFETY CABLES

WARNING: Mounting and/or suspension of audio and video equipment requires experienced professionals. Improperly installed loudspeakers can result in property damage, personal injury and/or liability to the installing contractor.



ADAPTIVE
TECHNOLOGIES GROUP

by: **Proyecson**

P-BOX-15

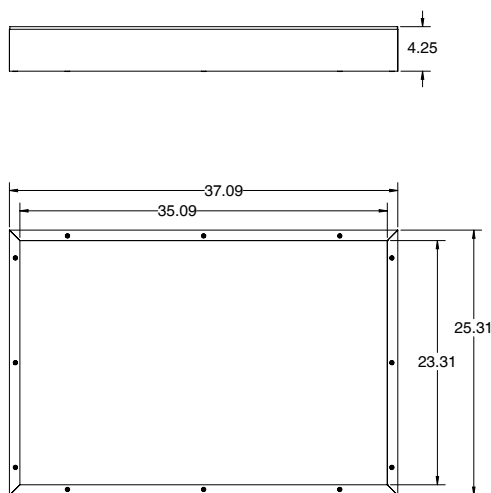
INTERNALLY VENTILATED PROJECTOR ENCLOSURE

Pro-Lift

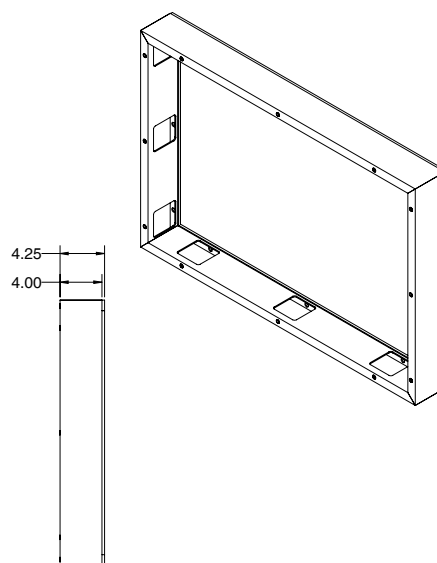
Front Door Extender

P-BOX-FD-EXT-4

The P-Box-EXT-4 installs in between the selected front window and the enclosure and extends the length of the enclosure by 4" (100 mm). Use this extension frame when the length of the projector lens requires a longer enclosure. This design includes internal sound isolating materials and the same bolt hole pattern as the window frames.



P-BOX-FD-EXT-4



ALWAYS INSTALL SAFETY CABLES

WARNING: Mounting and/or suspension of audio and video equipment requires experienced professionals. Improperly installed loudspeakers can result in property damage, personal injury and/or liability to the installing contractor.

