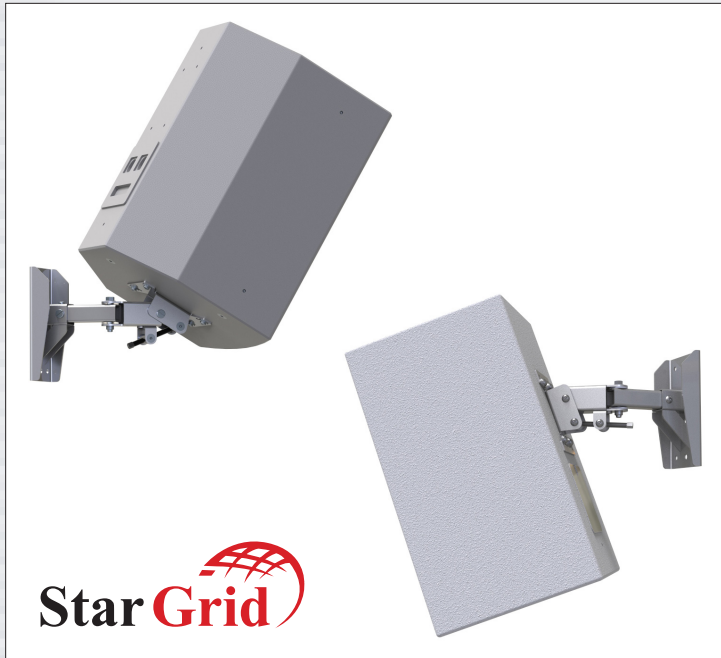


MM-060-Z

84 lb. WLL

OUTDOOR PAN & TILT SPEAKER MOUNT

MULTIMOUNT®

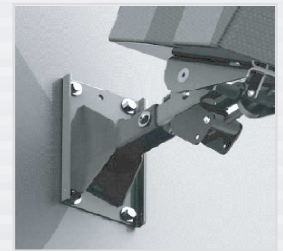


The MM-060-Z Speaker Wall Mount attaches both to the back and bottom panels of weatherized loudspeakers and aims them from walls and other vertical structures.

Once secured, the mount offers up to 180 degrees of pan angle adjustments and up to 45 degrees of no-drift tilt adjustments, compliments of a unique screw drive tilt mechanism.

This mount is exceptionally easy to install and aim most mid-sized loudspeakers. They are solidly constructed with built in safety features and a load-rating of 5:1 design factor.

The installation sequence makes it easy for the installer.



STANDARD FEATURES:

- ▶ Outdoor non-marine rated
- ▶ Infinite screw-drive tilt adjustments.
- ▶ Pan angle secured with clutch style lock.
- ▶ Mounts to walls, studs and optional stud plate.
- ▶ Adapts to 4 hole mounting patterns including 2-3/4" x 5" and 2" X 4/1/4"

OPTIONAL ACCESSORIES:

- ▶ Safety Cable kits (See data sheets)
- ▶ PM-010 Pole Mount

SPECIFICATIONS:

Material: Structural Steel
Finish: Zinc Plate
Color: Silver
Tilt Adjustment: 45 degrees
Swivel Adjustment: 180 degrees
WLL: 84 lbs. (38.1 Kg) max.
Design Factor: 5:1 ratio
Net Wgt: 6.1 lbs. (2.8 Kg.) each
Shipping Wgt: 8 lbs. (3.6 Kg.) each
Pack Count: 1 units/carton

PACKAGE CONTENTS:

1 pc. Speaker Adapt Assy
1 pc. Wall Mount
1 pc. Extension Tube
1 Set hardware kit

MM-060-Z

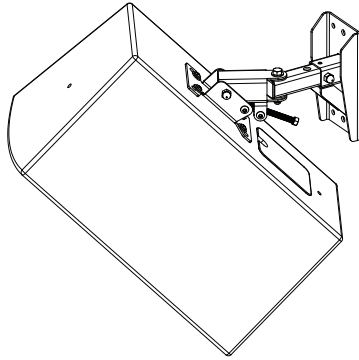
60 lb. WLL

OUTDOOR PAN & TILT SPEAKER MOUNT

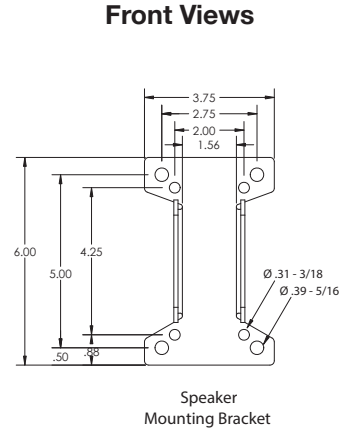
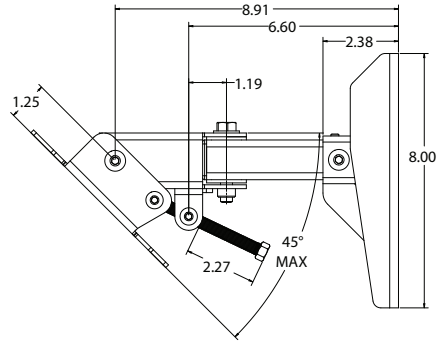
MULTIMOUNT®

Attaching to Back of Speaker

DIMENSIONS:

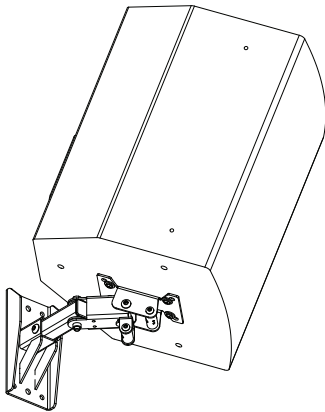


Rear Mount
R-Position

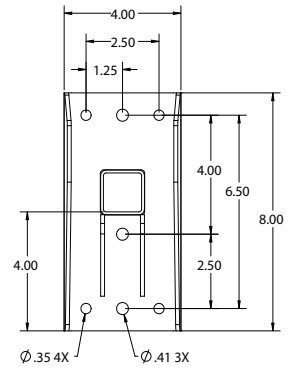
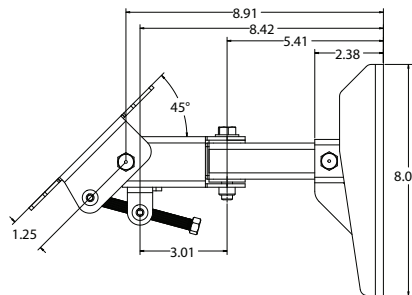


Speaker
Mounting Bracket

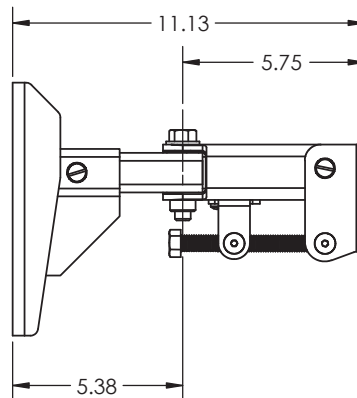
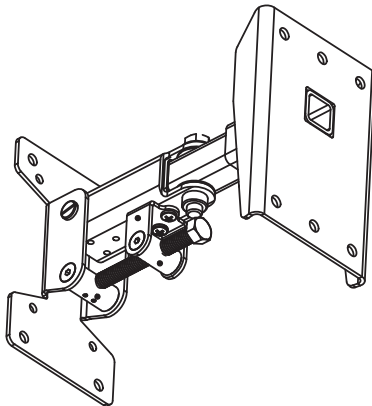
Attaching to Bottom of Speaker



Bottom Mount
B Position



Wall Mount Bracket



Side View