

MM-060-DX12-AP

60 lb WLL

ADAPTER PLATE FOR FULCRUM DX12

MULTIMOUNT®



The MM-060-DX12-AP Adapter, when used with the MM-060 wall mount, allows the Fulcrum DX12 loudspeaker to be mounted and aimed from a wall. It may also be suspended and aimed from a ceiling using the MM-3RDX-18 ceiling mount (see separate data sheets), both of which offer pan and tilt aiming capabilities. In addition, the MM-3RDX-18 also offers a clockwise rotation.

This Adapter, which is powder coated black to match the wall and ceiling mount finish, bolts directly to the speaker's rigging points and provides four threaded studs to secure the MM-060 and MM-3RDX-18 mounts.

- This product accompanies the MM-120 and MM-3RDX-18. It may not be used by itself.

- *Only Simple Hand tools required.



MM-060 mount sold separately

STANDARD FEATURES:

- ▶ Adapts MM-060 and MM-3RDX-18 to Fulcrum DX12

OPTIONAL ACCESSORIES:

- ▶ MM-060 Wall Mount
- ▶ MM-3RDX-18 Ceiling Mount
- ▶ Safety Cable Kits
- ▶ Ceiling Mount Kits
- ▶ Pipe Extensions

SPECIFICATIONS:

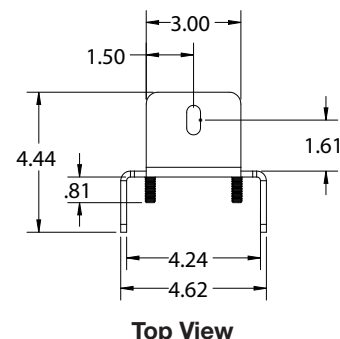
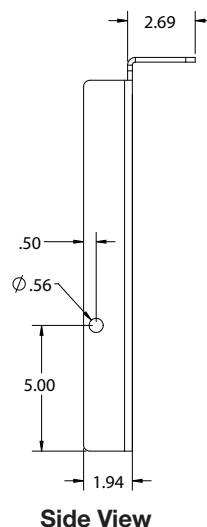
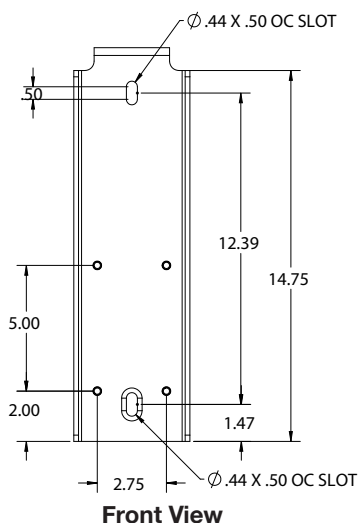
Material: Structural Steel Alloy
Finish: Powder Coat
Color: Black
WLL: 60 lbs. (27 Kg) max.
Design Factor: 5:1 ratio

PACKAGE CONTENTS:

1 pc Speaker Adapt Assy
1 pc Hardware Kit



DIMENSIONS:



ALWAYS INSTALL SAFETY CABLES

WARNING: Mounting and/or suspension of equipment requires experienced professionals. Improperly installed equipment can result in property damage, personal injury and/or liability to the installing contractor.