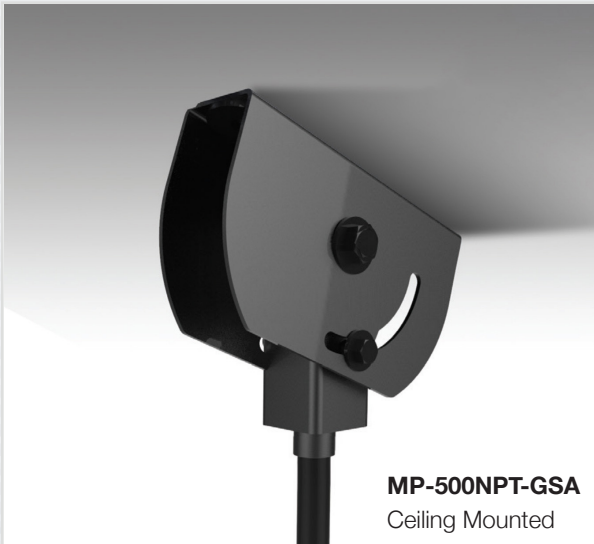


MP-500NPT-GSA

(100lb. WLL)

GIMBALLED CEILING MOUNT

STRUTWARE™



CEILING MOUNT

Use Adaptive's gimballed ceiling attachment to suspend loudspeakers, video displays and other objects from overhead when attached to sloped ceiling and roof structures, up to 90 degrees off vertical. This adapter also mounts to Unistrut channel or can be bolted through the strut when space permits. This SwivelMount suspends and locks objects weighing up to 100 lb using standard schedule-40 1/2" diameter steel pipe.



Mounts to overhangs



Secures to Unistrut



BC-GSA-100 (optional)

Use to attach to glulam

STANDARD FEATURES:

- ▶ For overhead audio & video applications
- ▶ Adapts to standard off-the-shelf schedule 1/2" NPT and NPS threaded steel pipe

OPTIONAL ACCESSORIES:

- ▶ See Threaded Rod Datasheet
- ▶ Glulam Wood Beam Attachment - **BC-GSA-100**

SPECIFICATIONS:

Materials: Structural Steel Alloy
Finish: Powder Coat
Color: Black
Design Factor: 7:1
WLL: 100lbs
Shipping Weight: 8lb/3.6kg

PACKAGE CONTENTS:

1 pc Gimballed Strut Adapter
2 pcs 3/8-16X1.25" Hex Bolt
2 pcs 3/8-16 Nyloc Nut
2 pcs 3/8" Flast Washer
1 pc Instruction Sheet

DIMENSIONS:

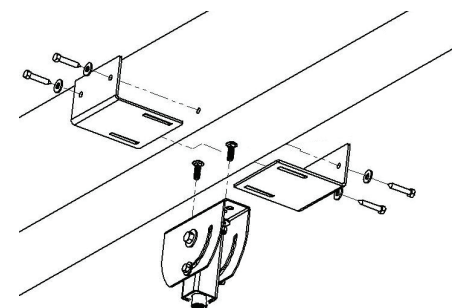
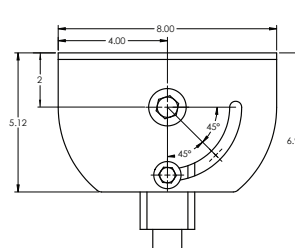
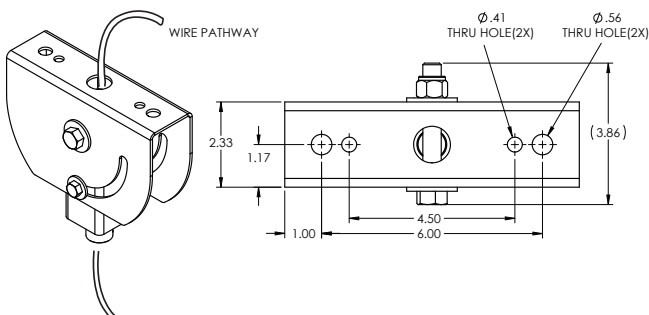
MP-500NPT-GTA

TOP VIEW

SIDE VIEW

OPTIONAL GLULAM BRACKETS

BC-GSA-100



Adaptive Technologies Group
1635 E. Burnett Street | Signal Hill, CA 90755 USA
Ph: 562.424.1100 | Fax: 562.424.3520
www.adaptivetechnologiesgroup.com



ALWAYS INSTALL SAFETY CABLES

WARNING: Mounting and/or suspension of audio and video equipment requires experienced professionals. Improperly installed loudspeakers can result in property damage, personal injury and/or liability to the installing contractor.

