

Installation Guide

BC-W7-12-6

Wood Beam Suspension With Swivel Eye



The BC-W7-12-6 provides a safe and secure overhead rigging point from underneath regular structural wood and Glulam overhead beams. This rugged, all-steel three-piece design will accommodate beam depths of 6" (155 mm) or more and widths from 7 inches wide to 12 inches wide (180-300 mm).

Its hang point eye is secured to a loading channel which is oriented underneath and in the center of the wood beam and swivels in the direction of the pull to minimize the side loading when a load is not vertical and splayed out from center.

Two side plates anchor into the wood beam via lag bolts or through bolts, depending upon the application. The two side plates support the load channel below, which slides through both side plates and lock in permanently via two angle tabs.

Contents:

Be sure that all of the following items are included in this kit before proceeding. The BC-W7-12-6 is fully assembled.

- 2 pcs Side plates, 6"
- 1 pc Channel with swivel eye
- 2 pcs Locking angle tabs
- 1 bag Hardware kit
- 1 pc Installation guide

Hardware for attaching to the Wood Beam are not included.

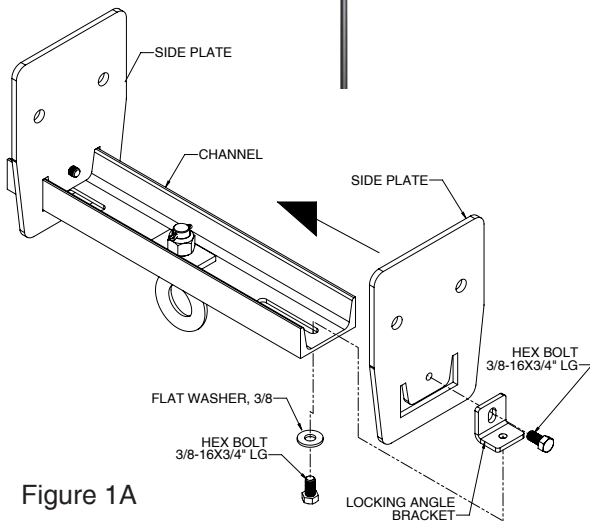


Figure 1A

Warning:

Consult with a local engineer or refer to Wood Beam/Glulam beam manufacturer for drilling and load specifications.

The BC-W7-12 is not to be used for suspending personnel

Installation Procedure:

Step:1

Pre-assemble the side plates to the channel using the provided 3/8 hex bolts and washer. Do not tighten bolts. The side plates should slide easily along the channel (Figure 1A and 1B).

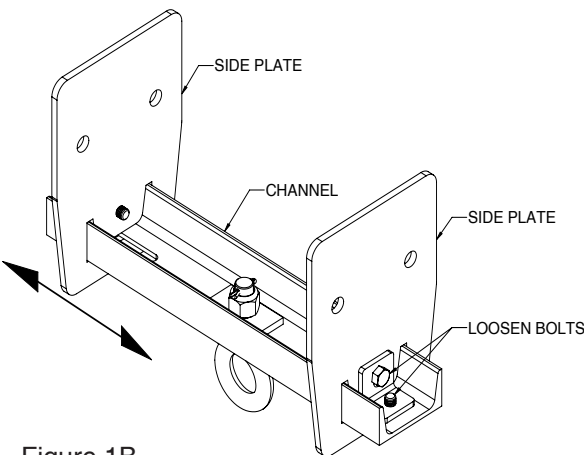


Figure 1B

Installation Guide

BC-W7-12-6

Wood Beam Suspension With Swivel Eye

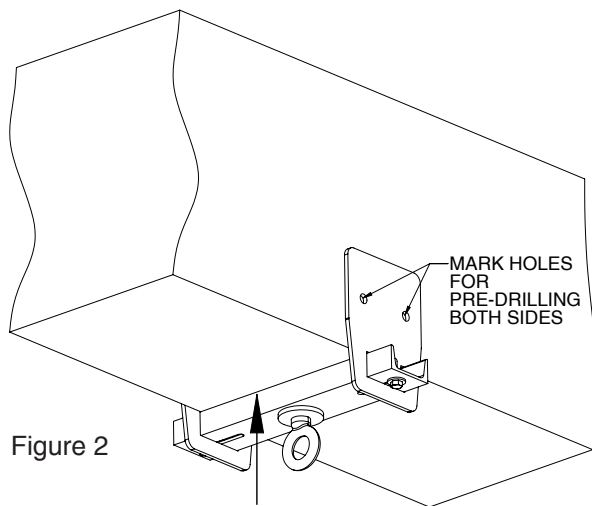


Figure 2

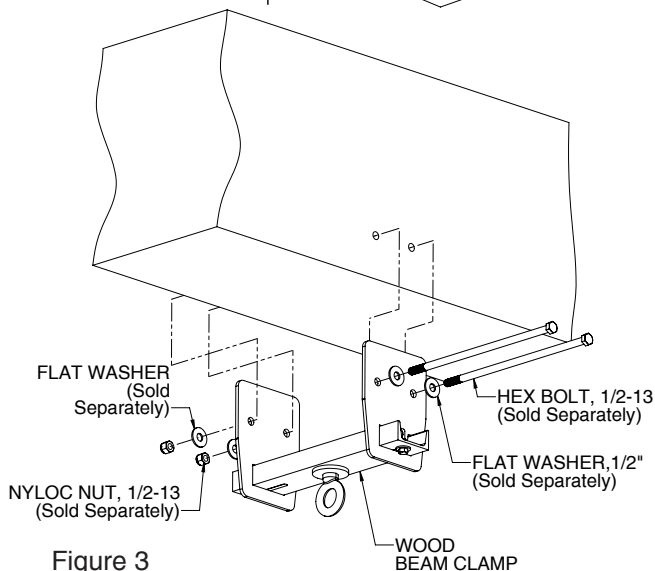


Figure 3

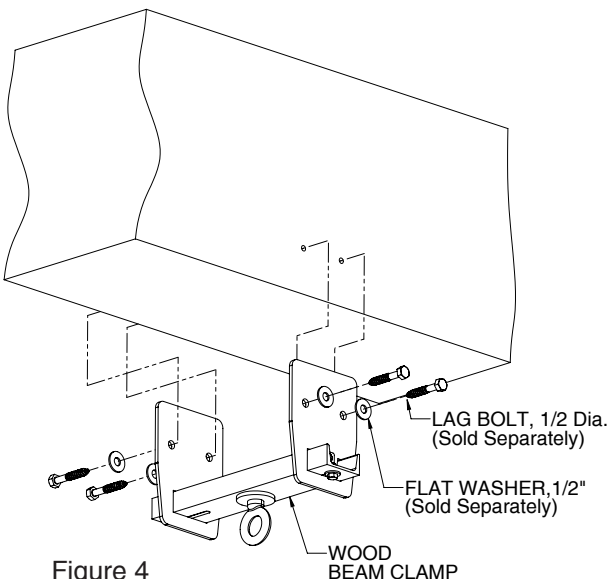


Figure 4

Step 2:

Test fit the clamp under the wood beam where it will be installed, then mark the location of the holes on both sides for pre-drilling. Make sure the channel is snug up to the bottom of the wood beam (Figure 2).

Step 3: For Through Bolts Installation:

- Drill a $17/32$ " (.53") or $9/16$ " (.56") dia. holes all the way through the width of the beam. If the drill bit is too short, drill half way on one side, then drill the opposite hole from the opposite side of the beam until both holes meet. Make sure holes are drilled straight.
- Place the wood beam clamp under the beam and position the side plate's holes to line up to the drilled holes on the wood beam.
- Insert $1/2$ " dia. bolts with washers from one side until it protrudes from the opposite side plate. ***Bolts should be long enough to go through the width of the wood beam and the side plates.*** Secure side plate to beam with washers and nyloc nuts. (Figure 3).
- Adjust and center the channel's swivel eye under the wood beam then tighten the bolts (Figure 5).

Step 4: For $1/2$ " dia. Lag Bolt Installation:

- Drill a $3/8$ " dia. holes on the marked location at least $3/8$ " deeper than length of the lag bolt on both sides of the wood beam.
- Place the wood beam clamp under the beam and position the side plate's holes to line up to the drilled holes on the wood beam.
- Screw the lag bolts with washers from one side then repeat on the opposite side (Figure 4).
- Adjust and center the channel's swivel eye under the wood beam then tighten the lag bolts (Figure 5).

Installation Guide

BC-W7-12-6

Wood Beam Suspension With Swivel Eye

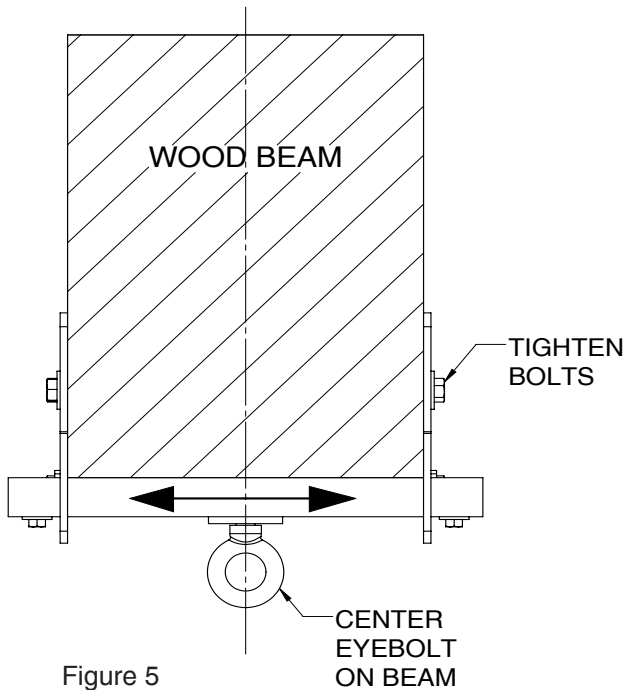


Figure 5

Step 5:

Tighten the bolts on the locking angle tabs (figure 6).

Step 6:

Check to make sure that the eyebolt swivel easily then attach load using load rated hardware (Figure 7).

Step 7:

Check all hardware before attaching load to the swivel eyebolt.

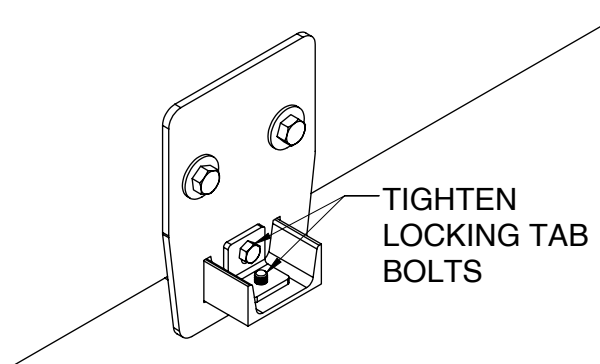


Figure 6

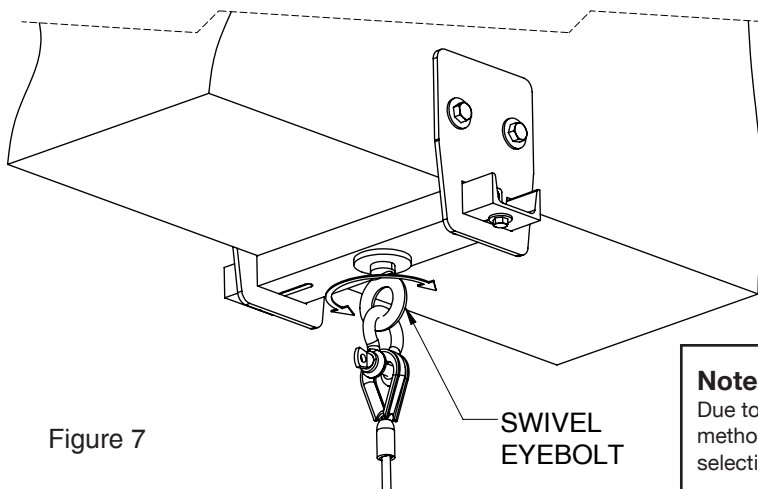


Figure 7

Note to installers:

Due to the wide variety of wall structures, materials and mounting methods, the installing contractor must exercise proper judgment in selecting the mounting area and hardware.

As a guide, the installation, when complete should be capable of supporting 5 to 10 times the actual applied load. Always use a backup safety system such as a safety cable.

To assure a trouble-free installation, read through and follow these instructions carefully before beginning. If you have doubts about the integrity of the structure you are mounting to or you are not sure about the proper hardware to use, consult a structural and/or hardware specialist.