

LED Video Wall Framing

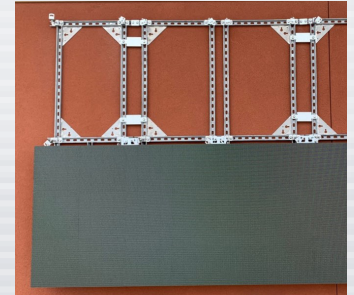
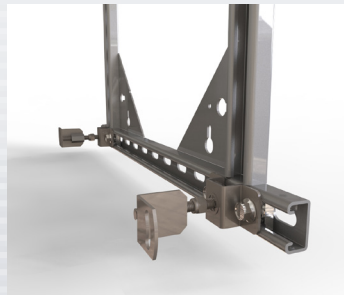
ABSEN XD

Modular Outdoor LED Video Wall Mounting System

GRIDLINK®



Build any size LED ABSEN XD video wall and secure it to any outdoor or indoor flat surface structure quickly and easily. Arrange into combinations of precision made GridLink® frames using standard sizes, including 2X2, 1X2 and 1X1 frames in portrait orientation. Each frame comes with a complete set of joiner, stand-off, and leveling brackets to perfectly align LED monitors. Framing materials and finishes are weather and load-rated and will stand up to any outdoor environment*



STANDARD FEATURES:

- ▶ Modular Frames Build Any Size Video Wall
- ▶ X, Y & Z Adjustability Provides Proper LED Alignment
- ▶ Adjusting Hardware Accommodates Uneven Surfaces
- ▶ Weatherproof Materials and Hardware.
- ▶ Load-Rated Frames and Components
- ▶ Field tested – Contractor approved

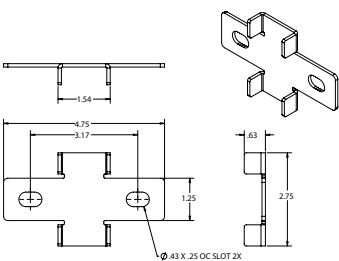
SPECIFICATIONS:

Material: Alloy Steel
Finish: Zinc Powder Coat
Color: Black
Rating: Outdoor, non-marine
Adjustments: X, Y & Z

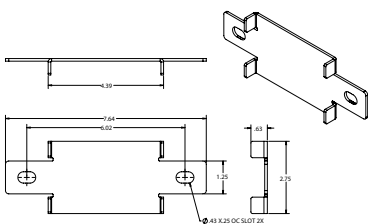
* Marine environments require more corrosion resistant materials.
 See Gridlink – Marine

AVAILABLE COMPONENTS:

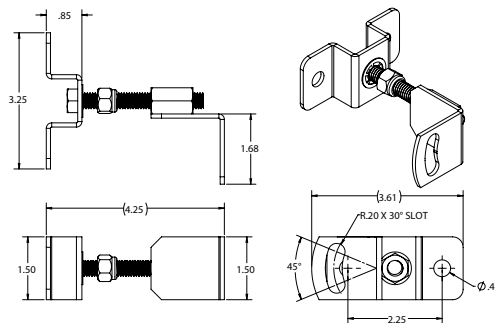
- ▶ Selected LED FRAME'S
- ▶ Horizontal spacer bracket
- ▶ Vertical spacer bracket
- ▶ Adjustable LED arm
- ▶ Lower landing bracket
- ▶ Interconnect bracket
- ▶ Optional Bezel Trim Available



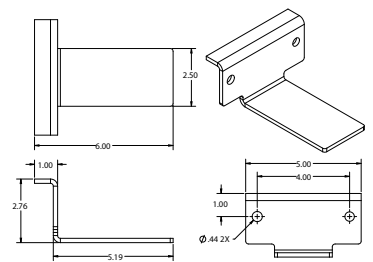
Vertical Spacer Bracket



Horizontal Spacer Bracket



Adjustable LED Arm



Lower Landing Bracket

Adaptive Technologies Group
 1635 E. Burnett Street | Signal Hill, CA 90755 USA
 Ph: 562.424.1100 | Fax: 562.424.3520
www.adapttechgroup.com



ADAPTIVE
 TECHNOLOGIES GROUP

ALWAYS INSTALL SAFETY CABLES

WARNING: Mounting and/or suspension of audio and video equipment requires experienced professionals. Improperly installed equipment can result in property damage, personal injury and/or liability to the installing contractor.



Rated for outdoor use.

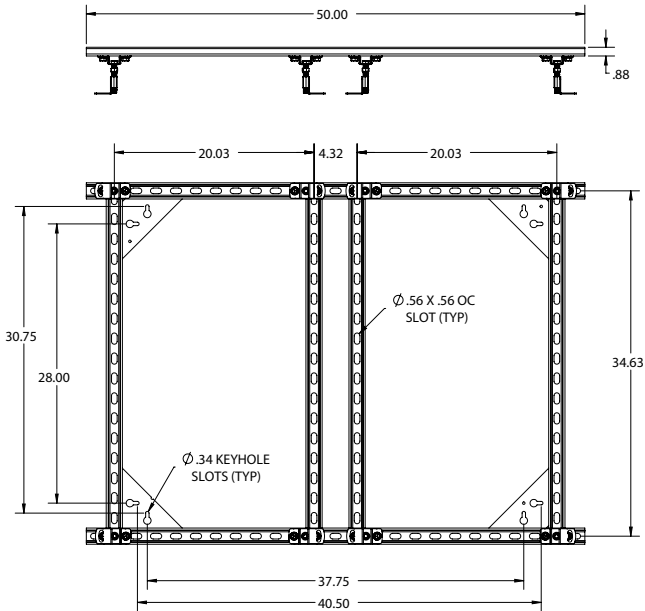
LED Video Wall Framing

ABSEN XD

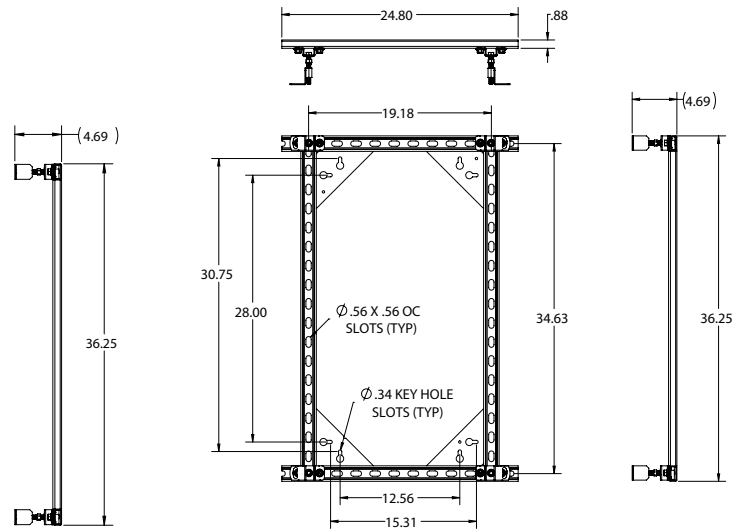
Choose from these frames to assemble your custom size video wall

GRIDLINK®

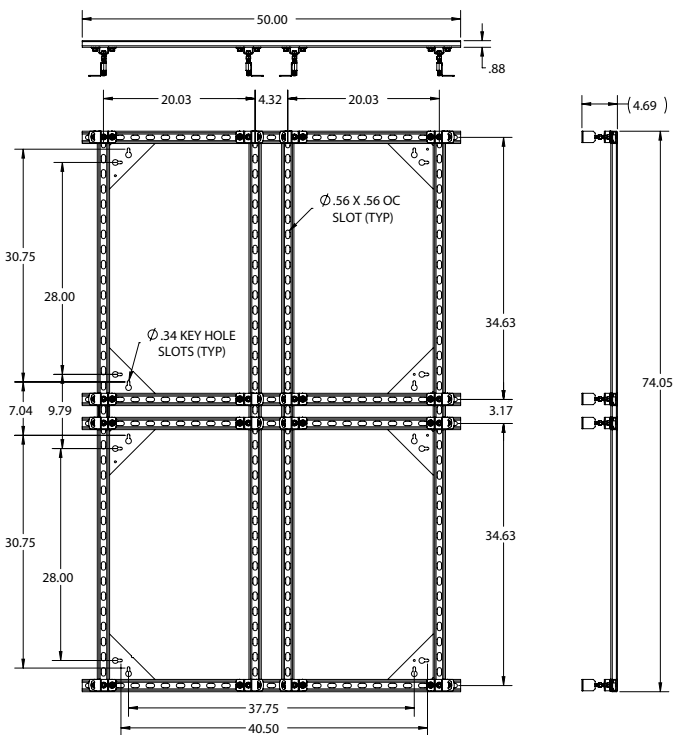
DIMENSIONS:



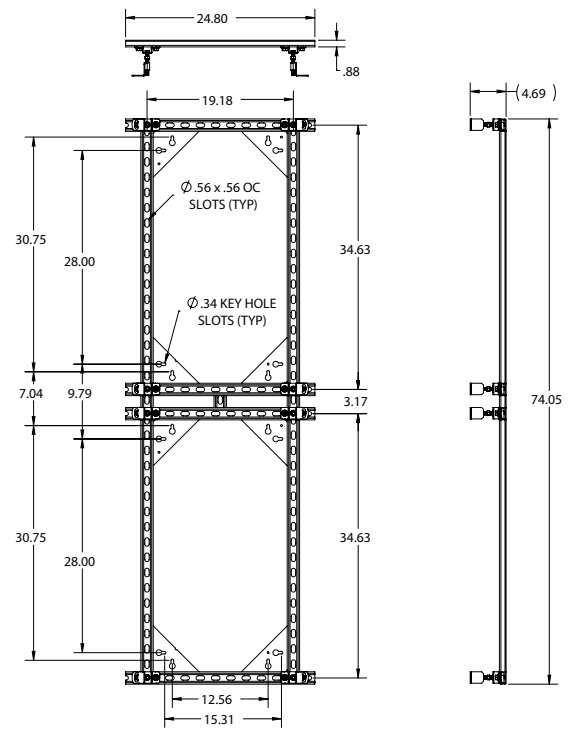
VWD-2X1-XD



VWD-1X1-XD



VWD-2X2-XD



VWD-1X2-XD



ALWAYS INSTALL SAFETY CABLES

WARNING: Mounting and/or suspension of audio and video equipment requires experienced professionals. Improperly installed equipment can result in property damage, personal injury and/or liability to the installing contractor.

