

SBC7-12-CA-20

430 lb WLL

Swivel Arm Beam Clamp With Rotating Suspension Arm

BeamWare®



Pan & Tilt from I-Beam

Swivel Structural Beam Clamps are time-saving rigging solutions that provide a safe and load-rated method of securing loads from horizontal Beams. Once anchored to a beam, they provide a simple and reliable method for aiming loudspeakers and other objects.

Swivel Beam Clamps secure to a building's overhead structural beams, steel or wood, for widths ranging from 7" to 12" (203 to 305mm) wide.

It's lower suspension arm rotates 360 degrees for precise aiming.



U-Bracket Option



Wood Beam Option
Vertical Orientation



Dual Tilt Kit Option
Horizontal Orientation

STANDARD FEATURES:

- ▶ Quick Mount & Aim, attaches to I-Beams
- ▶ Provides safe load-rated suspension
- ▶ Powder Coated Black

OPTIONAL ACCESSORIES:

- ▶ AJ-1524 - Adjustable U-Bracket
- ▶ TCK Series - Adjustable Tilt Cable Kit
- ▶ FC Series - Fixed Length Wire Rope Assemblies
- ▶ BC-LAM-KIT - Laminated Beam Adapter Kit

SPECIFICATIONS:

Materials: Structural Steel Alloy
Finish: Powder Coat
Color: Black
Pan Rotation: 360°
WLL: 430 lb / 195.5 Kg
Design Factor: 7:1 Ratio
Product Weight: 15 lb / 6.8 Kg

PACKAGE CONTENTS:

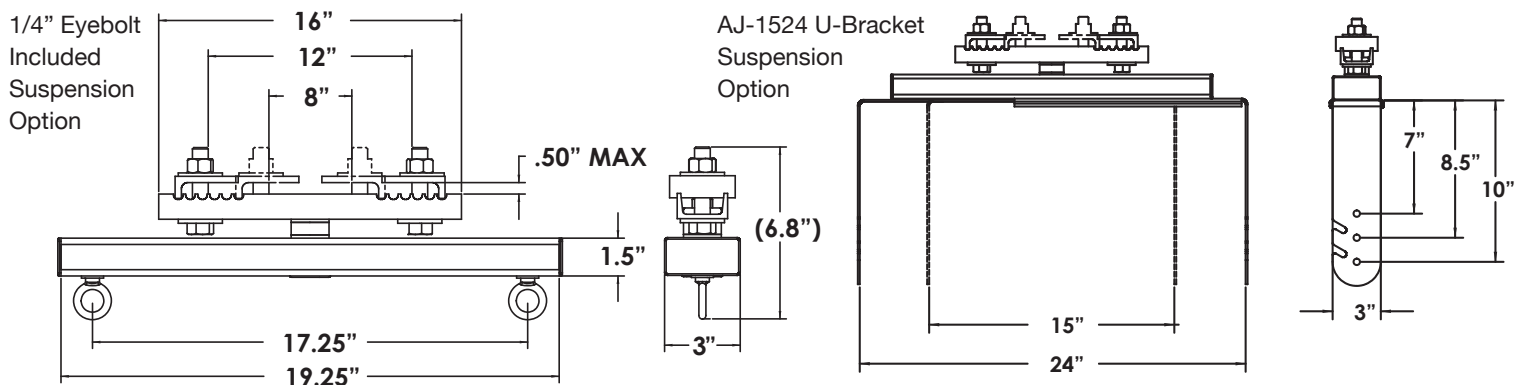
1pc: Beam Clamp
1pc: Swing Arm
2pc: Eyebolts
1bag: Hardware Kit



MADE IN USA



Rated for indoor use.



ALWAYS INSTALL SAFETY CABLES

WARNING: Mounting and/or suspension of audio and video equipment requires experienced professionals. Improperly installed loudspeakers can result in property damage, personal injury and/or liability to the installing contractor.