

CG-500NPS-PC

101 lb WLL

1/2" SCHED. 40 THREADED PIPE COUPLER

PIPE AND ATTACHMENTS



The CG-500NPS-CP tube adapter gives installers the option of coupling and securing two 1/2 inch Schedule 40 NPS threaded pipes together.



KEY FEATURES:

- ▶ Powdered Coated Black Finish
- ▶ Set screws on each end
- ▶ Couples to 1/2 inch Sched. 40 Pipes

OPTIONAL ACCESSORIES:

- ▶ See Pipe Datasheet

SPECIFICATIONS:

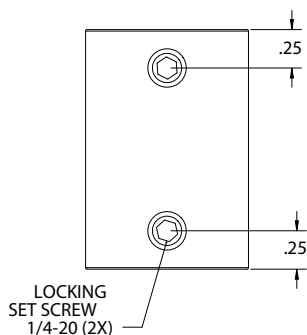
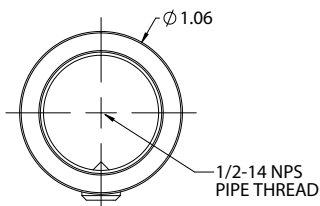
Material: Steel
Finish: Powder Coat
Color: Black
WLL: 101 lb / 273 Kg
Design Factor: 5:1
FEA Analysis result

PACKAGE CONTENTS:

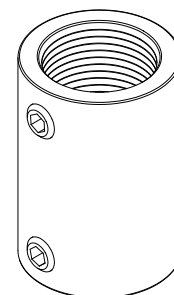
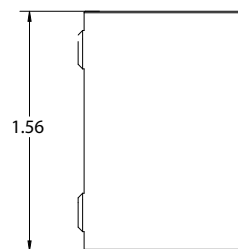
1pc 1/2" Pipe Coupler
2pc Set Screws



Rated for indoor use.



DIMENSIONS:



Adaptive Technologies Group
1635 E. Burnett Street | Signal Hill, CA 90755 USA
Ph: 562.424.1100 | Fax: 562.424.3520
www.adaptivetechgroup.com



ALWAYS INSTALL SAFETY CABLES

WARNING: Mounting and/or suspension of equipment requires experienced professionals. Improperly installed equipment can result in property damage, personal injury and/or liability to the installing contractor.