

# SAS-GL

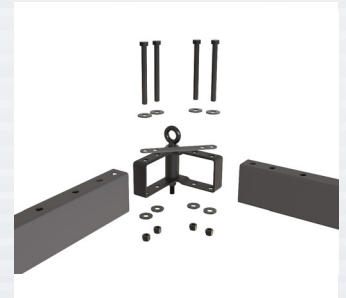
## RIGGING BEAM HINGE CONNECTOR

**GridLink®**



Rigging Beam with Lifting Points

Use this corner connector for joining multiple GridLink rigging beams together to form overhead suspension grids. Depending upon the selected rigging beam size, assemble grids into a variety of shapes including square, rectangle, hexagon and triangles. The SAS-GL bolts securely inside rigging beams and becomes a load-rated rigging point. It also comes with an angle limiter that locks in a 90° and a 120° angle between two rigging beams. All hardware is included



Exploded View

### STANDARD FEATURES:

- ▶ Joins multiple GridLink rigging beams
- ▶ Comes with angle locking bar
- ▶ Provides load rated lifting point

### OPTIONAL ACCESSORIES

- ▶ See SAS-GLT T-Connector datasheet
- ▶ See SAS-100-CA Cross Arm datasheet
- ▶ See SAS-EB-KT Eyebolt suspension datasheet
- ▶ See Steerables™ Tilt Cable datasheet
- ▶ See SAS-XXX-RB Rigging Beam Selections

### SPECIFICATIONS:

**Materials:** Structural Steel Alloy  
**Finish:** Powder Coat  
**Color:** Black  
**WLL:** Meets or exceeds the working load of the specified GridLink Rigging Beams  
**Safety Factor:** 5:1  
**Product Weight:** 5.6 lb / 2.5 Kg

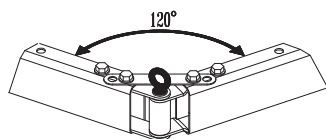
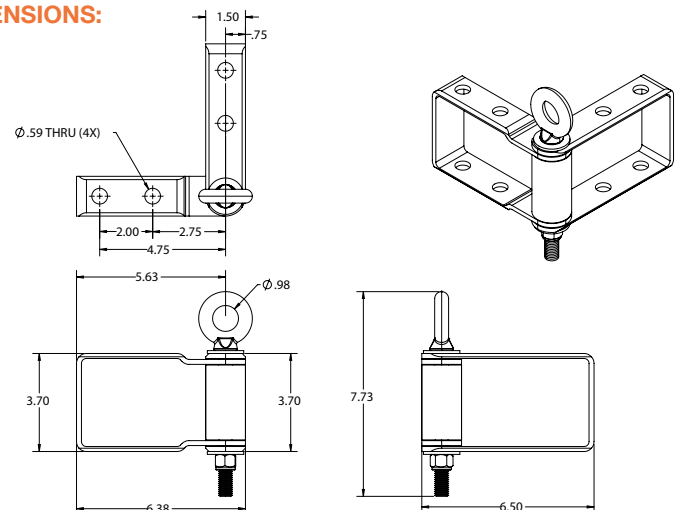
### PACKAGE CONTENTS:

**1pc** Outer hinge bracket  
**1pc** Inner hinge bracket  
**1pc** 1/2" X 5.5" Eye Bolt  
**4pcs** 1/2" X 5.5" Hex Bolt  
**5 pcs** 1/2" Hex Nuts  
**10 pcs** 1/2" Flat Washer

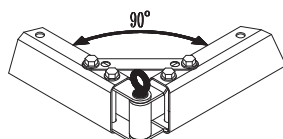


Rated for indoor use.

### DIMENSIONS:



Rigging Beam Connector locked at 120° angle for hexagonal shaped grids



Rigging Beam Connector locked at 90° angle for square and rectangular shaped grids

### Adaptive Technologies Group

1635 E. Burnett Street | Signal Hill, CA 90755 USA  
 Ph: 562.424.1100 | Fax: 562.424.3520  
 www.adaptivetechologiesgroup.com



### ALWAYS INSTALL SAFETY CABLES

**WARNING:** Mounting and/or suspension of audio and video equipment requires experienced professionals. Improperly installed loudspeakers can result in property damage, personal injury and/or liability to the installing contractor.