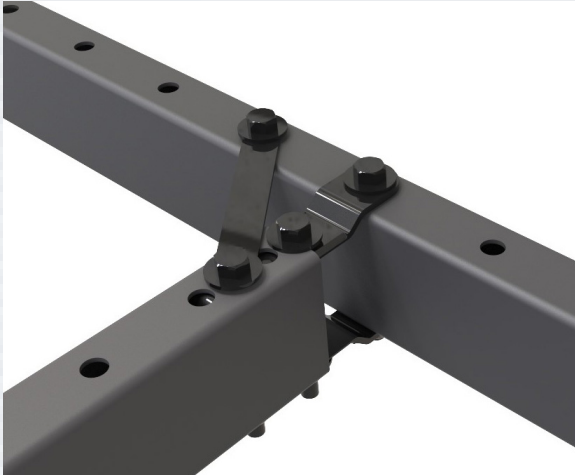


SAS-GLT-B

RIGGING BEAM HINGE CONNECTOR

GridLink®



SAS-GLT-B Connector with Angle Lock

The SAS-GLT-B rigging beam connector compliments the SAS-GL corner connector allowing you to assemble your own custom suspension grids using off-the-shelf load-rated components. No third-party engineering or long manufacturing lead times. Two SAS-GLT-B brackets are required to secure a rigging beam, one inside each end.

The SAS-GLT-B Connector's arms extend and bolt over the top of two adjoining rigging beams at right angles. All hardware is included including an angle-locking bracket that helps lock in the Grid's shape.



SAS-GLT-B with Hardware

STANDARD FEATURES:

- ▶ Joins multiple rigging beams at 90 degree angle
- ▶ Comes with angle locking bar
- ▶ Provides load rated rigging beam connector

OPTIONAL ACCESSORIES

- ▶ See SAS-GL T-Connector datasheet
- ▶ See SAS-100-CA Cross Arm datasheet
- ▶ See SAS-EB-KT Eyebolt suspension datasheet
- ▶ See Steerables™ Tilt Cable datasheet
- ▶ See SAS-XXX-RB Rigging Beam Selections

SPECIFICATIONS:

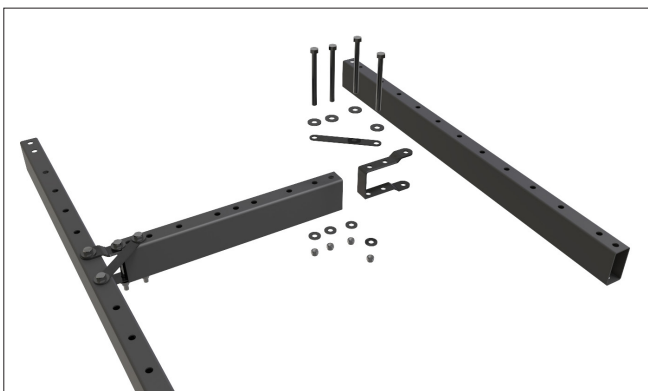
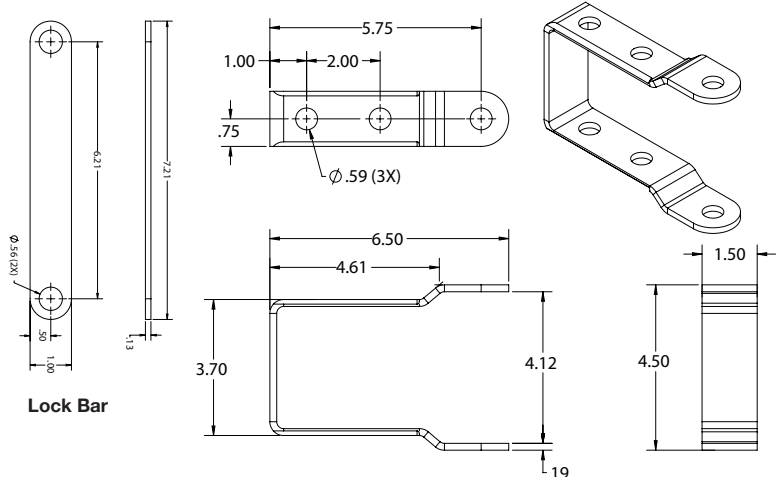
Materials: Structural Steel Alloy
Finish: Powder Coat
Color: Black
WLL: Meets or exceeds the working load of the specified GridLink Rigging Beams
Safety Factor: 5:1
Product Weight: 3.2 lb / 1.4 Kg

PACKAGE CONTENTS:

1pc GLT bracket
1pc Angle lock bracket
4pcs 1/2" X 5.5" Hex Bolt
4 pcs 1/2" Hex Nuts
8 pcs 1/2" Flat Washer



DIMENSIONS:



Rigging Beams joined using SAS-GLT-B

Adaptive Technologies Group
 1635 E. Burnett Street | Signal Hill, CA 90755 USA
 Ph: 562.424.1100 | Fax: 562.424.3520
 www.adaptivetechgroup.com



ALWAYS INSTALL SAFETY CABLES

WARNING: Mounting and/or suspension of audio and video equipment requires experienced professionals. Improperly installed loudspeakers can result in property damage, personal injury and/or liability to the installing contractor.