

MM-060-V2

60 lb. WLL

DUAL-AXLE PAN & TILT SPEAKER WALL MOUNT

MULTIMOUNT®



The MM-060-V2 Surround Wall Mount offers a smaller footprint compared with its predecessor, the MM-060 and keyhole slots in the wall mounting bracket allow for single-man installations.

Angle indicators show precisely where a speaker is aimed, saving the time needed to take acoustic measurements. Once the speaker is aimed in the desired direction, both pan and tilt angles lock down permanently.

These all-steel mounts are solidly constructed, install easily using hand tools and offer pan articulation up to 180 degrees and up to 45 degrees of down tilt adjustment.



StarGrid

STANDARD FEATURES:

- ▶ Infinite no-drift tilt adjustments.
- ▶ Single-Man installations
- ▶ Pan and tilt angles secured by clutch lock.
- ▶ Adapts to standard speaker hole patterns

OPTIONAL ACCESSORIES:

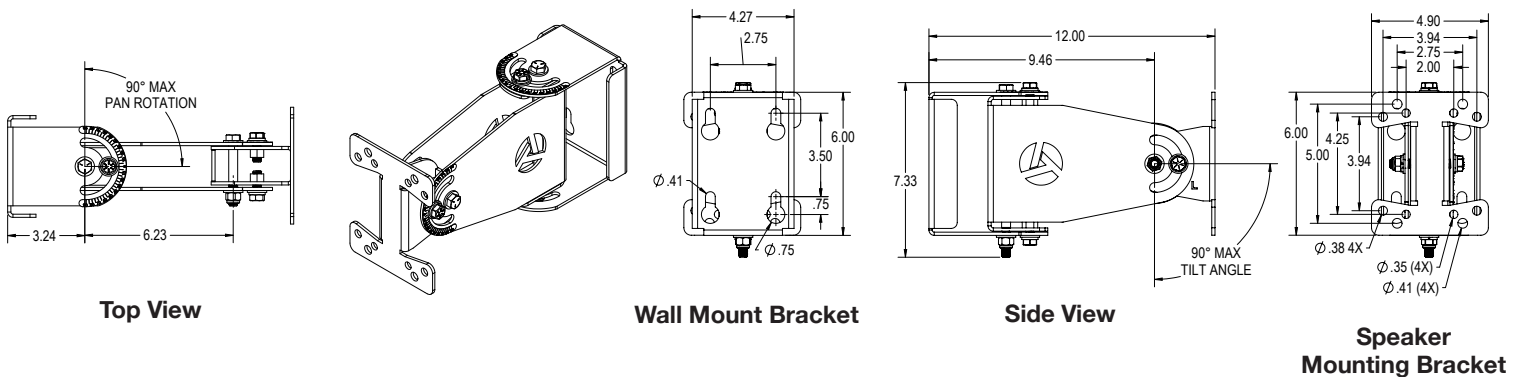
- ▶ Safety Cable kits (See data sheets)

SPECIFICATIONS:

- Material:** Structural Steel
- Finish:** Powder Coat
- Color:** Black
- Tilt Adjustment:** 45 degrees
- Swivel Adjustment:** 180 degrees
- WLL:** 60 lbs. (27.3 Kg) max.
- Design Factor:** 5:1 ratio
- Net Wgt:** 6.1 lbs. (2.8 Kg.) each
- Shipping Wgt:** 8 lbs. (3.6 Kg.) each
- Pack Count:** 1 units/carton



Rated for indoor use.



Adaptive Technologies Group
1635 E. Burnett Street | Signal Hill, CA 90755 USA
Ph: 562.424.1100 | Fax: 562.424.3520
www.adaptivetechgroup.com



ALWAYS INSTALL SAFETY CABLES

WARNING: Mounting and/or suspension of equipment requires experienced professionals. Improperly installed equipment can result in property damage, personal injury and/or liability to the installing contractor.