

# PM-SB-BAND-90

# 300 lb WLL

BAND KIT FOR 5" TO 25" DIA. POLES & COLUMNS

PoleStar®



Secure signs, mounts and other objects to round poles and columns using this band kit. The PM-Band-90 kit offers a pair of 90" long bands and tensioning hardware. This kit is designed for pole diameters from 5"/127mm to 25"/635mm. The unique bolt kit requires only a socket wrench to secure and tension bands by hand. No special tools or equipment necessary. The 201 stainless band material is easy to work with offers high strength, a clean appearance and good resistance to oxidation and weathering. These kits are great for both indoor and outdoor use. Custom lengths are available too.

\* Not designed for square poles



## STANDARD FEATURES:

- ▶ Installs with a socket wrench
- ▶ Stainless materials for outdoor use
- ▶ Attaches to round poles and columns

## SPECIFICATIONS:

**Material:** Stainless Steel

**Finish:** Silver

**WLL:** 300 lb / 136 Kg single speaker

\*WLL = Working Load Limit

## PACKAGED CONTENTS:

**2pcs** 90" x 3/4 Straps

**2pcs** Bolt Kits

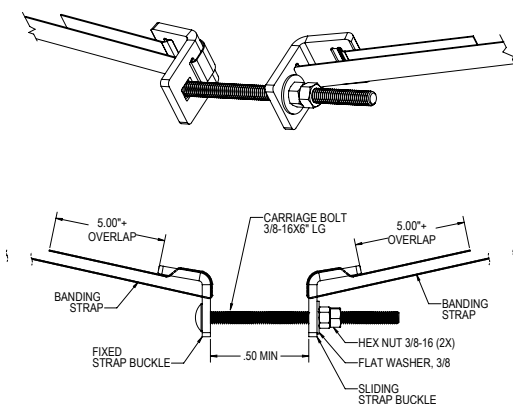


Rated for outdoor use.

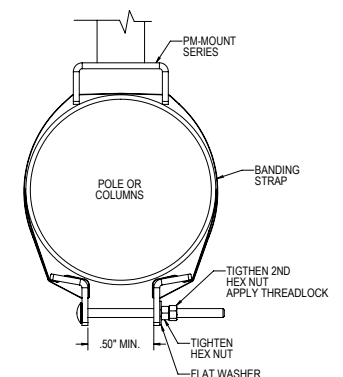
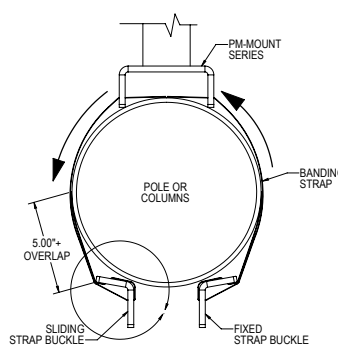
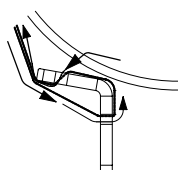
Model	Length	Width	Max Dia.	WLL	Weight
PM-SB-BAND-90	90"/228.6mm	.75/19mm	25"/635mm	300 / 136 Kg	2.5 lb. / 1.1 Kg

## DIMENSIONS:

### Band Buckle Bolt Kit



### Band Buckle



**Adaptive Technologies Group**  
 1635 E. Burnett Street | Signal Hill, CA 90755 USA  
 Ph: 562.424.1100 | Fax: 562.424.3520  
 www.adaptivetechnologiesgroup.com



## ALWAYS INSTALL SAFETY CABLES

**WARNING:** Mounting and/or suspension of equipment requires experienced professionals. Improperly installed equipment can result in property damage, personal injury and/or liability to the installing contractor.