

# MM-3RDX-19

# 75 lb WLL

CEILING SPEAKER MOUNT WITH 3 AXES OF ADJUSTMENTS

MULTIMOUNT®

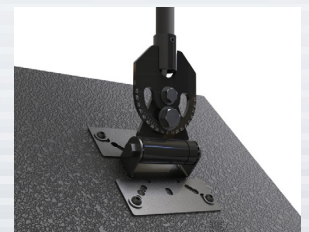


The MM-3RDX-19 is an adjustable ceiling speaker mount that provides pan, tilt & roll adjustments. It supports and aims speakers that are equipped with the VESA 4-point mounting pattern.

This model aims speakers from overhead by way of a variety of tube extensions and ceiling attachments. Ceiling speakers achieve up to 360 degrees of horizontal pan angle, up to 180 degrees of tilt angle and 180 degrees of roll adjustment.

Tilt adjustments are made at the side of the speaker adapter plate, Panadjustments are made at the tube extension coupler and the roll feature is adjusted between the mount and the tube extension.

The MM-3RDX-19 tube coupler provides a pathway for signal wire and a safety cable to pass through the tube extension to the terminal block. This makes for a clean, safe and predictable method for installing and aiming ceiling speakers.



## STANDARD FEATURES:

- ▶ Indicators let installers set angles accurately
- ▶ Independent pan, tilt & roll aiming gets perfect sound coverage
- ▶ Adapts to standard schedule-40 1/2" pipe
- ▶ Independent No drift, No memory Locking
- ▶ Works for speakers with 104 X 107, 100 X 100, 90 X 90, 75 X 75, 66 X 66, 60 X 60, 41 X 41 Hole Patterns

## OPTIONAL ACCESSORIES:

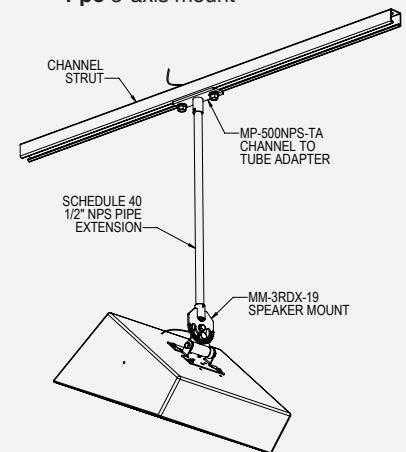
- ▶ Ceiling Attachments - See Datasheet
- ▶ Pipe Extensions - See Datasheet

## SPECIFICATIONS:

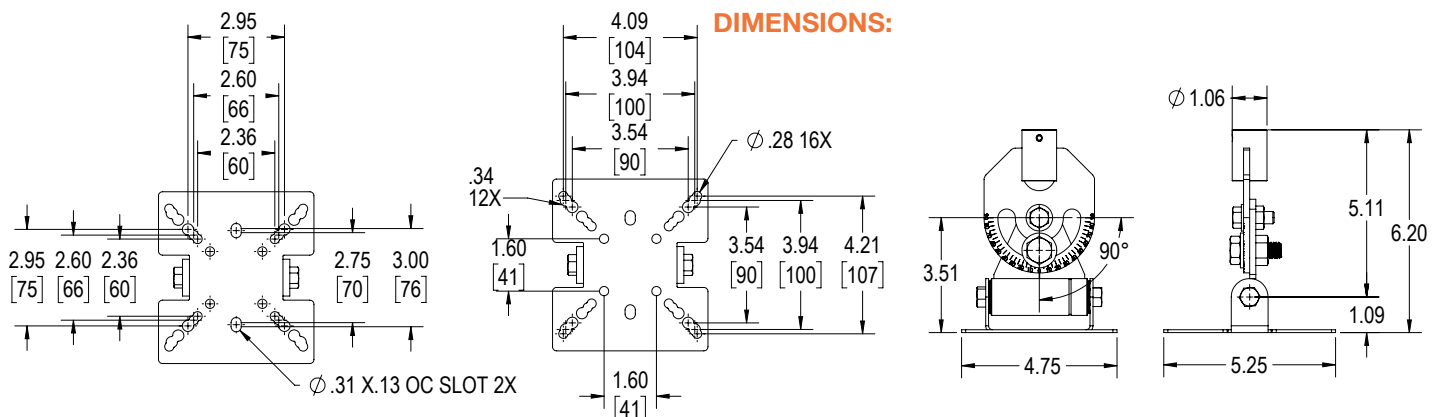
**Material:** Structural Steel Alloy  
**Finish:** Powder Coat  
**Tilt Rotation:** +/-90 degrees max  
**Pan Rotation:** 360 degrees  
**Color:** Black  
**WLL:** 75 lb / 34.1 Kg max.  
**Design Factor:** 5:1 ratio  
**Net WGT:** 2.3 lb / 1.05 Kg each  
**Pack Count:** 1 unit/carton

## PACKAGE CONTENTS:

1 pc 3-axis mount



## DIMENSIONS:



## ALWAYS INSTALL SAFETY CABLES

**WARNING:** Mounting and/or suspension of equipment requires experienced professionals. Improperly installed equipment can result in property damage, personal injury and/or liability to the installing contractor.