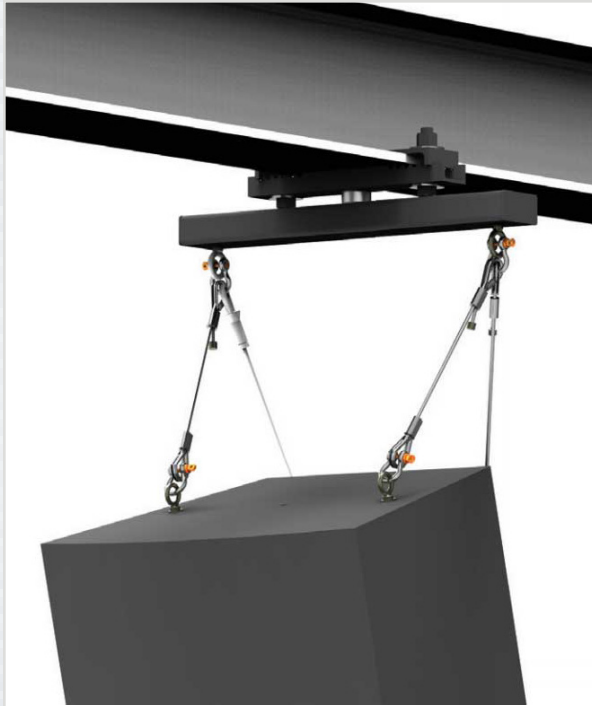


SwivelBeam™ Clamps - Steel Beam Rigging

Beam Clamp With Rotating Swivel Arm

BeamWare™



Attach and Aim Loudspeakers to I-Beams

Custom Build Swivel Beam Clamps

Secure and aim loudspeakers from structural steel I-Beams, quickly and safely. Save countless hours of installation time by combining BeamWare's load-rated Beam Clamps and Swivel Arms. BeamWare's pre-engineered components come complete and ready to install, requiring only simple hand tools.

First, choose from a variety of adjustable beam clamps that range in size from 3" flange widths to over 20" in width. Multiple spacers are included that accommodate different beam flange thicknesses.

Second, select the Swivel Arm that matches the size and orientation of the loudspeaker, which offers 360° of horizontal aiming. There are three different lengths to choose from and come with all the hardware necessary to secure it to the selected Beam Clamp.

Third, decide which method of attaching the speaker to the Swivel Arm will be used. There are both mounting and rigging options available, including U-Brackets and tilting cable kits. Both of these methods are dependent upon the speaker's mounting and/or rigging points.



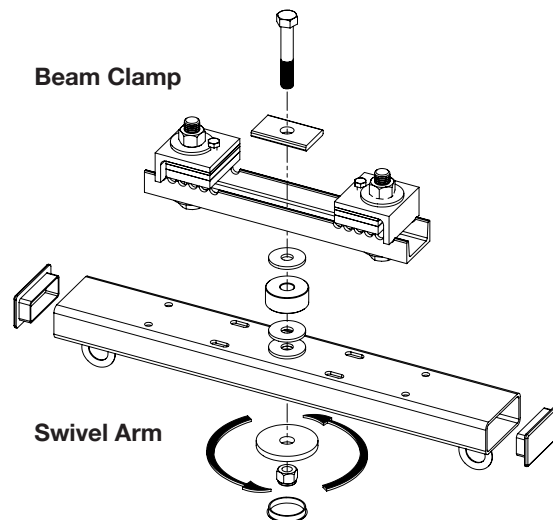
Rated for indoor use.

STANDARD FEATURES:

- ▶ Quick Mount & Aim from Steel I-Beams
- ▶ Provides safe load-rated suspension
- ▶ Powder Coated Black

OPTIONAL ACCESSORIES:

- ▶ AJ-1524 - Adjustable U-Bracket
- ▶ TCK Series - Adjustable Tilt Cable Kit
- ▶ FC Series - Fixed Length Wire Rope Assemblies



SPECIFICATIONS:

Materials: Structural Steel Alloy

Finish: Powder Coat

Color: Black

Pan Rotation: 360°

WLL: See Page 2

Design Factor: 5:1 Ratio

ALWAYS INSTALL SAFETY CABLES

WARNING: Mounting and/or suspension of audio and video equipment requires experienced professionals. Improperly installed loudspeakers can result in property damage, personal injury and/or liability to the installing contractor.

SwivelBeam™ Clamps - Steel Beam Rigging

Beam Clamp With Rotating Swivel Arm

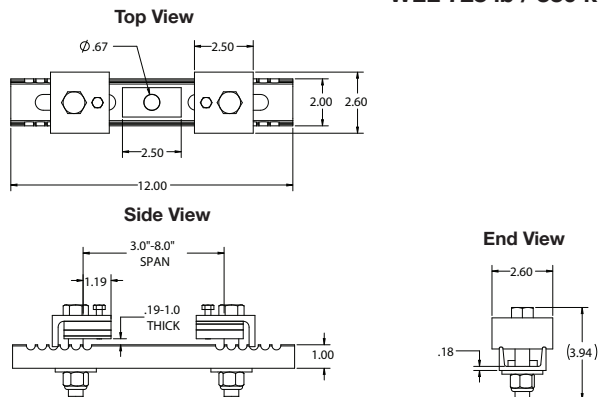
BeamWare™

1 Choose Beam Clamp

Choose from the following beam clamp options based on the building's horizontally oriented I-Beam. These rugged beam clamps adapt to multiple I-Beam widths and flange thicknesses.

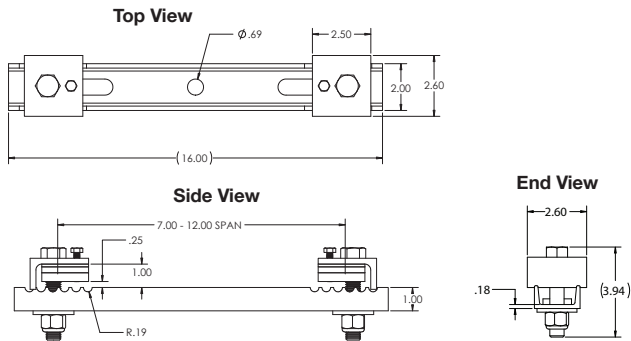
BC3-8-0

WLL 728 lb / 330 kg



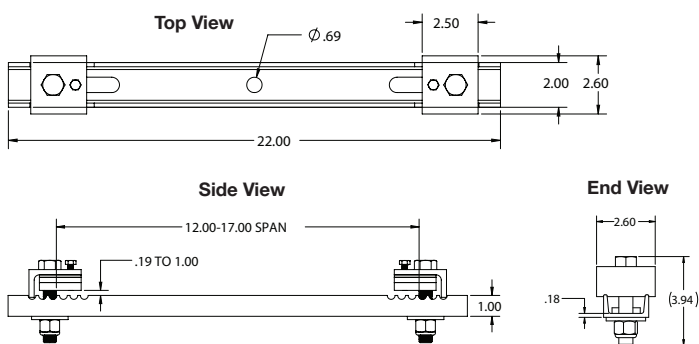
BC7-12-0

WLL 510 lb / 232 kg



BC12-17-0

WLL 385 lb / 175 kg

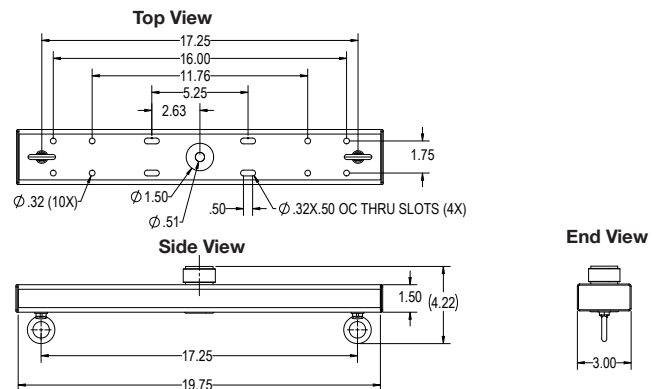


2 Choose Swivel Arm

Choose the size of Swivel Arm based on the selected speaker size and orientation. Vertical orientations require Swivel Arms 2-4" longer than the width of the speaker. Horizontal orientation requires arms 2-4" longer than the height of the speaker.

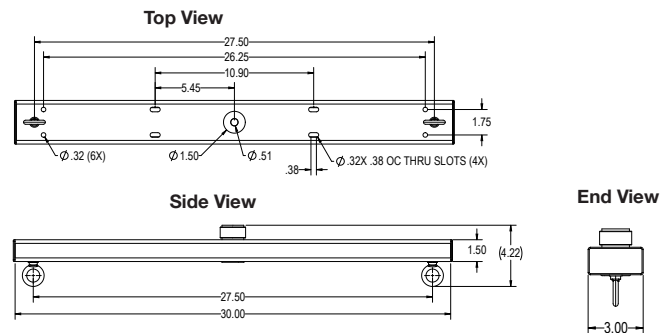
SBC-CA-20

WLL 400 lb / 182 kg



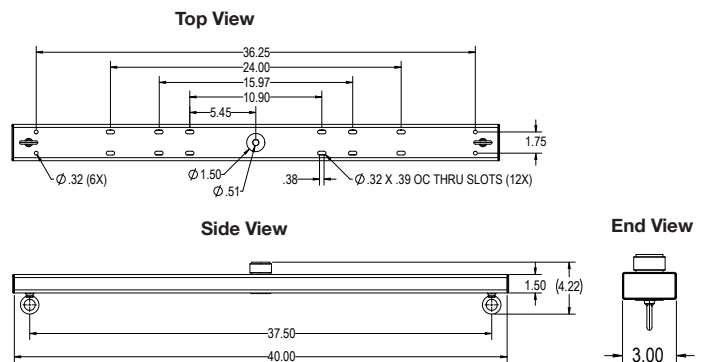
SBC-CA-30

WLL 360 lb / 164 kg



SBC-CA-40

WLL 260 lb / 118 kg



SwivelBeam™ Clamps - Steel Beam Rigging

Beam Clamp With Rotating Swivel Arm

BeamWare™

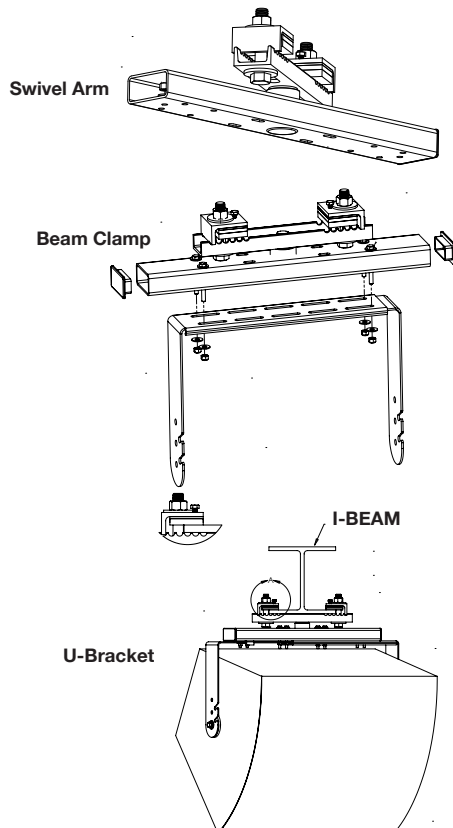
3 Choose the Method of Attachment

Mounting Options

Many loudspeakers come with mounting points for a U-Bracket that will attach the speaker to a Swivel Arm. If the speaker comes with its own bracket, holes may need to be drilled, if that bracket's hole pattern does not mate with that of the Swivel Arm. If the loudspeaker is not already equipped with a bracket, use the "Search" feature on our website to view "U-Brackets" or go to "Downloads" for the adjustable brackets, AJ-1524-BT and the AJ-2336-BT.

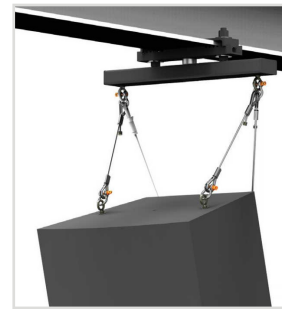


Mounting Option

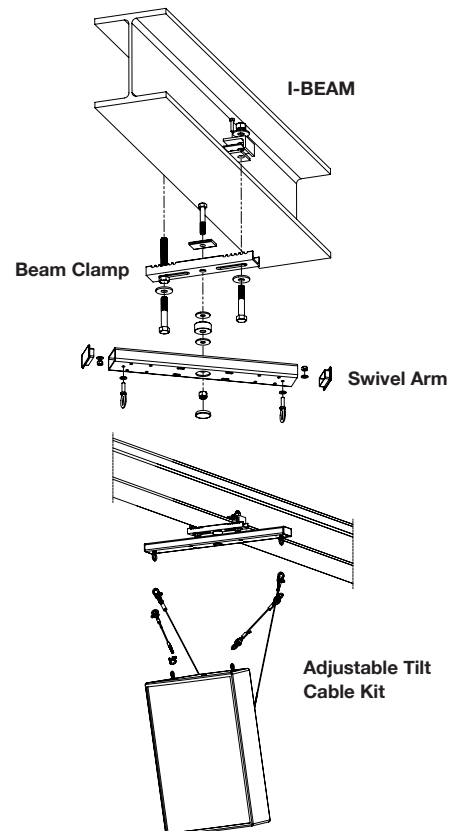


Rigging Options

Swivel Arms come with two eye bolts so, if the loudspeaker has rigging points, select a Steerables Tilt Cable Kit by viewing the "TCK" options in the downloads section of our website. This kit not only provides a load-rated suspension from the Swivel Arm but offers an infinitely adjustable speaker tilt angling with huge time savings. Note that loudspeakers that are flown horizontally typically require a "TCK2" product. If eye bolts are needed for the loudspeaker, go to the "Downloads" section and view the "EB" options.



Rigging Option



ALWAYS INSTALL SAFETY CABLES

WARNING: Mounting and/or suspension of audio and video equipment requires experienced professionals. Improperly installed loudspeakers can result in property damage, personal injury and/or liability to the installing contractor.