

PM-SB-BAND-30

300 lb WLL

BAND KIT FOR 5" TO 8" DIA. POLES & COLUMNS

PoleStar®



Secure signs, mounts and other objects to round poles and columns using this band kit. The PM-SB-Band-30 kit offers a pair of 30" long bands and tensioning hardware. They are designed for 5"/127mm to 8"/203mm pole diameters. The unique bolt kit requires only a socket wrench to secure and tension bands by hand. No special tools or equipment necessary. The 201 stainless band material is easy to work with, offers high strength, a clean appearance and good resistance to oxidation and weathering. These kits are great for both indoor and outdoor use. Custom lengths are available too.

* Not designed for square poles



STANDARD FEATURES:

- ▶ Simple Socket Wrench Installation
- ▶ Stainless Steel Construction for Outdoor Use
- ▶ Securely attaches items to poles and columns

Model	Length	Width	Max Dia.	WLL	Weight
PM-Band-SB-30	36"/914mm	.75"/19mm	6"/152mm	300 / 136kg	1.5 lb. /0.7 kg

SPECIFICATIONS:

Material: Stainless Steel
Finish: Silver
WLL: 300 lb / 136 Kg single speaker

*WLL = Working Load Limit

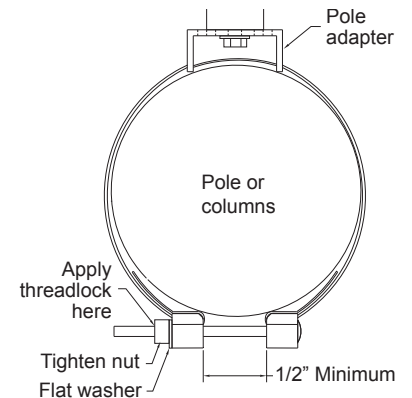
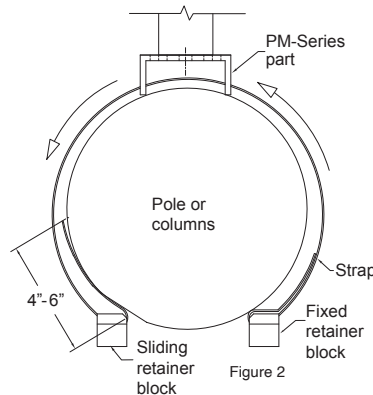
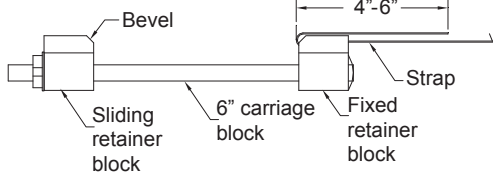


Rated for outdoor use.

CONTENTS:

2 pcs 30" x 3/4 Straps
2 pcs Bolt Kits

DIMENSIONS:



Adaptive Technologies Group
 1635 E. Burnett Street | Signal Hill, CA 90755 USA
 Ph: 562.424.1100 | Fax: 562.424.3520
 www.adaptivetechologiesgroup.com



ALWAYS INSTALL SAFETY CABLES

WARNING: Mounting and/or suspension of equipment requires experienced professionals. Improperly installed equipment can result in property damage, personal injury and/or liability to the installing contractor.