

MC-2X1.50-TNDM-B

220 lb WLL

2" TRUSS CLAMP

TRUSS CLAMP



Dual Diameter Truss Clamp

This all-aluminum Truss Clamp-Set bridges differing truss and pipe diameters, 2" diameter to 1-1/2" diameter, making for an ideal and secure rigging suspension point for theatrical and stage audio, video and lighting applications. The different truss clamps swivel independently of each other for maximum flexibility, and its quick-set latches allow installers to temporarily support a load and adjust it horizontally before the clamp is fully tightened.



Quick Set Latch

STANDARD FEATURES:

- ▶ Bridges Two Different Diameters
- ▶ Wing-style clamping lock
- ▶ Light weight, all aluminum housing
- ▶ Fits PC-3725-15A Projector Frame

SPECIFICATIONS:

Material: Aluminum
Finish: Anodize
Color: Black
WLL: 220 lb / 100 Kg
Safety Factor: 5:1
Weight: 0.63 Kg (1.40 lbs)

PACKAGE CONTENTS:

1 pc Truss Clamp 2" Ø
1 pc Truss Clamp 1-1/2" Ø



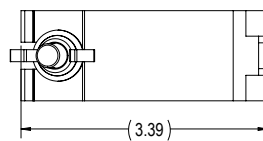
MADE IN USA



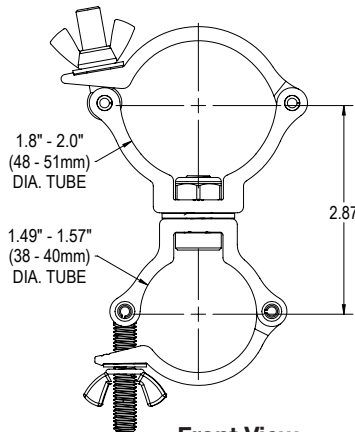
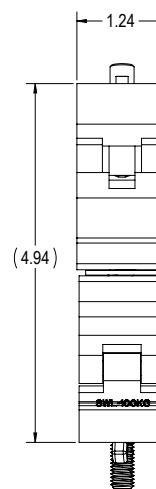
Rated for indoor use.



Top View



Side View



Front View

Adaptive Technologies Group
1635 E. Burnett Street | Signal Hill, CA 90755 USA
Ph: 562.424.1100 | Fax: 562.424.3520
www.adaptivetechgroup.com



ALWAYS INSTALL SAFETY CABLES

WARNING: Mounting and/or suspension of equipment requires experienced professionals. Improperly installed equipment can result in property damage, personal injury and/or liability to the installing contractor.