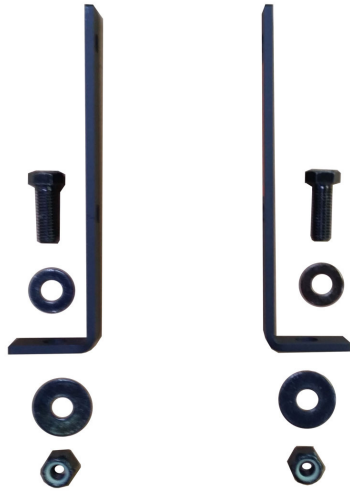


# BC-LAM-KIT

(300 lb. WLL)

Laminated Wood Beam Clamp Adapter Kit

BeamWare®

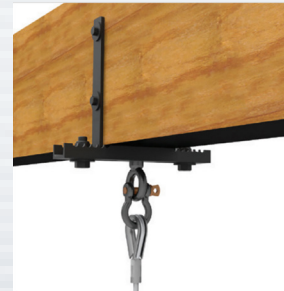


Beam Clamp Adapter Kit

The BC-LAM-KIT is an adapter bracket for the standard BC Series channel style beam clamps. With this adapter kit, the standard I-beam clamps can be attached to wood/laminated beams. When used with the BC3-8 it is adjustable from 1" wide to 6.75" wide wood beams, and with the BC7-12, it is adjustable from 5.25" to 11.25" wide wood beams.



With Swivel Beam



With Eyebolt



With Threaded Rod

## STANDARD FEATURES:

- ▶ Mounts to Laminated Wood Beams
- ▶ Adapts to BC (Beam Clamp) Series
- ▶ Adapts to SBC (Swivel Beam Clamp) Series

## OPTIONAL ACCESSORIES:

- ▶ Beam Clamps
- ▶ Swivel Beam Clamps

## SPECIFICATIONS:

**Material:** Structural Steel

**Finish:** Powder Coat

**Color:** Black

**WLL:** 300 lbs

**Design Factor:** 5:1

**Pack Count:** 1

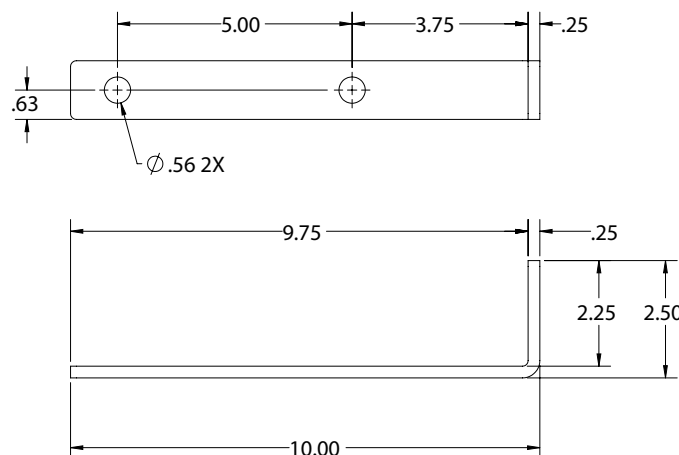
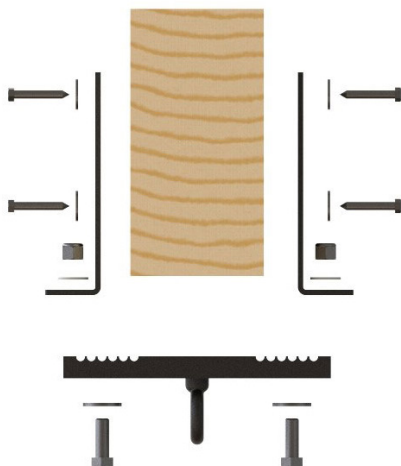
\*WLL = Working Load Limit

## PACKAGE CONTENTS:

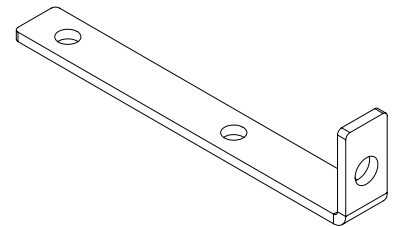
**2 pcs** L-Bracket

**1 pc** Hardware Kit

## BC-LAM-KIT Dimensions



Side View



Front View

## Adaptive Technologies Group

1635 E. Burnett Street | Signal Hill, CA 90755 USA  
Ph: 562.424.1100 | Fax: 562.424.3520  
www.adaptivetechgroup.com



**ADAPTIVE**  
TECHNOLOGIES GROUP

## ALWAYS INSTALL SAFETY CABLES

**WARNING:** Mounting and/or suspension of audio and video equipment requires experienced professionals. Improperly installed loudspeakers can result in property damage, personal injury and/or liability to the installing contractor.

