

CC-096-S

(220 lb. WLL)

ADJUSTABLE LENGTH WIRE ROPE ASSEMBLY

SPAN SET



The Steerables™ Pull back and coupler cable kit serves as a pullback and coupling device for flyable loudspeakers and can be used in a wide range of rigging applications. It provides an easy and infinitely adjustable feature up to 96" for loudspeakers and other objects weighing up to 220 lbs/134 kg.



CC-096 Rigged Speaker

STANDARD FEATURES:

- ▶ Provides load rated and lockable tilt functionality to suspended items such as loud speakers.

OPTIONAL ACCESSORIES:

- ▶ Eyebolts

SPECIFICATIONS:

Materials: Stainless Steel

Finish: Black Oxide

Color: Silver

WLL: 220 lbs

Design Factor: 5:1

Pack Count: 1

PACKAGE CONTENTS:

1 pcs: Pullback cable assembly

2 pcs: 3/8" Quick Link

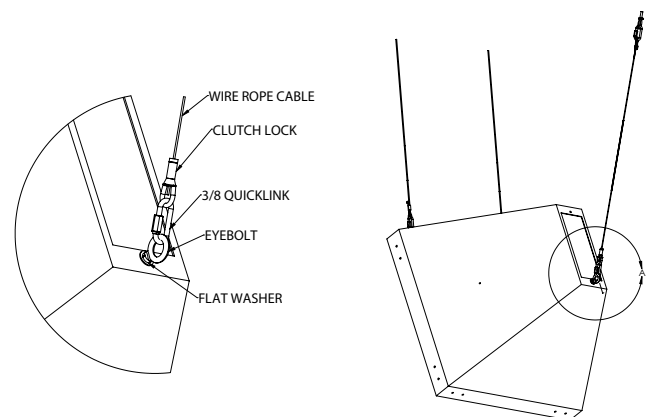
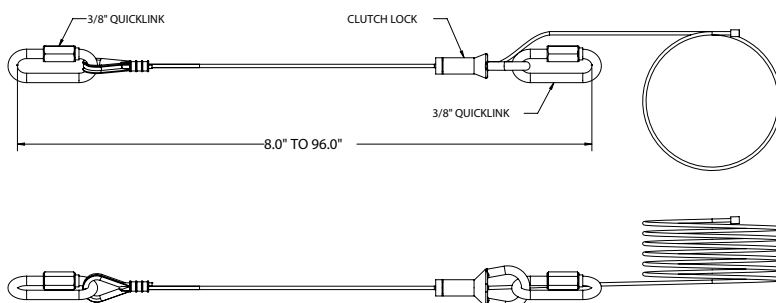
1 pc: Thread Lock .5 ml

*WLL = Working Load Limit



Rated for marine environment.

CC-096 Diagram



Adaptive Technologies Group
1635 E. Burnett Street | Signal Hill, CA 90755 USA
Ph: 562.424.1100 | Fax: 562.424.3520
www.adaptivetechologiesgroup.com



ALWAYS INSTALL SAFETY CABLES

WARNING: Mounting and/or suspension of audio and video equipment requires experienced professionals. Improperly installed loudspeakers can result in property damage, personal injury and/or liability to the installing contractor.