



FASPAC Arraying System

Cluster Pack Planar Array Kit

The low profile FasPac array kits provide a wide variety of configurations for "FRI+" series loudspeaker cabinets. FasPac allows users the flexibility to create clusters up to 3 cabinets wide and up to two tiers high.

FasPac provides an easy and safe way to fly tightly packed loudspeakers in a planar array fashion then steer the array as one unit. In addition, FasPac offers precise splay angling between

cabinets to allow for the distance from the audience. Once clustered together, the array may be steered using the One-Way-Array® and tilted by way of the Steerables® Tilt Cable kit.

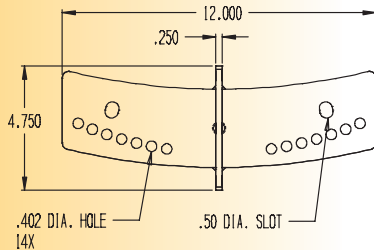
Array plates give designers the ability to create a variety of required configurations for each specific project. In addition, installers will save time assembling the loudspeakers together providing for a smooth predictable installation.

SPECIFICATIONS :

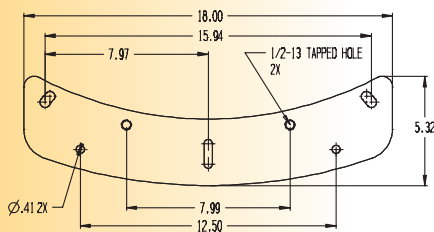
Material:	Structural steel alloy	Working load limit:	400 lb
Finish:	Powder coat	6-0151:	2.4 lbs/1.1 kg
Colors:	Textured black	6-0176:	2.8 lbs/1.3 kg
Design factor:	5:1	6-0151:	4.2 lbs/2 kg

OPTIONAL ACCESSORIES :

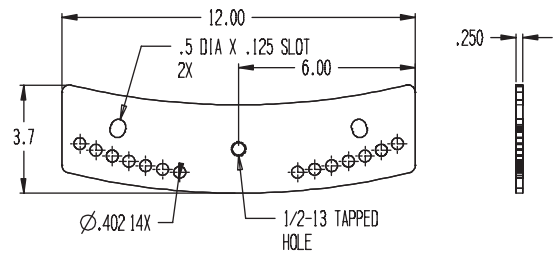
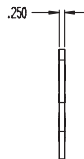
1. Steerables™ tilt cable kit (standard or custom)
2. Gridlink™ rigging beams
3. Add-on suspension eyebolt kit
4. Load rated hardware
5. Bridle and suspension cables (standard and custom)



6-0176 Suspension Plate



6-0151 Rear Joiner Plate



6-0101 Front Joiner Plate



A division of:
ADAPTIVE TECHNOLOGIES GROUP

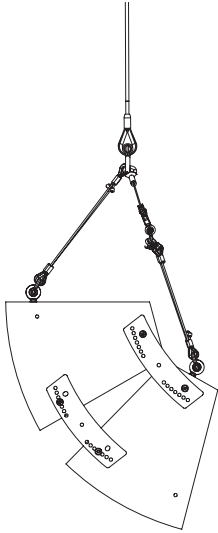
1637 E. Burnett Street
Signal Hill, CA 90755 USA
PH: 562.424.2200 FX: 562.424.1127

www.atmflyware.com

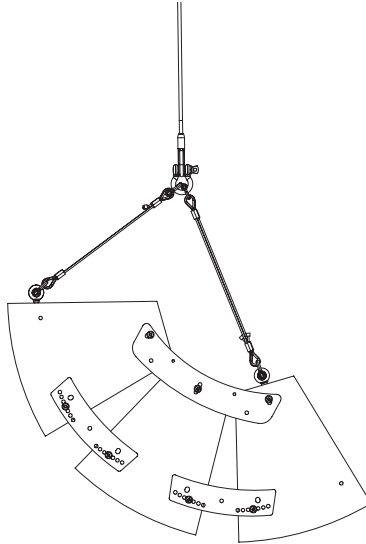
FASPAC Arraying System

Cluster Pack Planar Array Kit

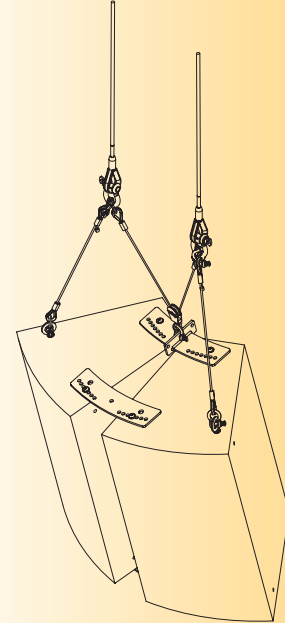
TYPES OF CONFIGURATION:



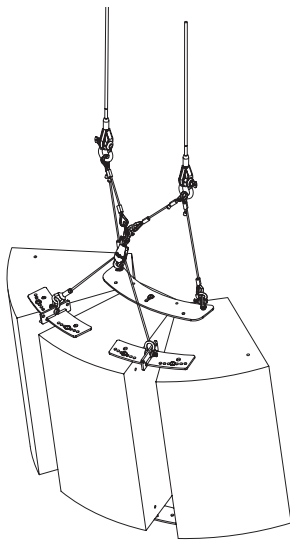
TWO-WAY LINE ARRAY
 PART #: FP-FRI-1X2-B (W)
 (1 WIDE X 2 DEEP LINE ARRAY KIT)
 (2 FRI+122 OR 2 FRI+152)



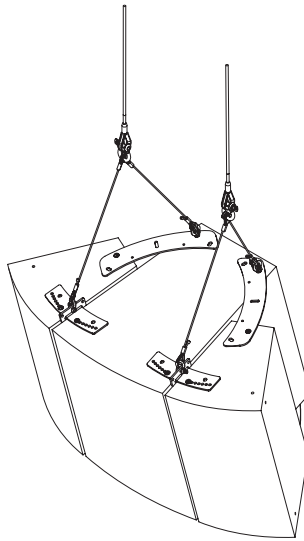
THREE WAY LINE ARRAY
 PART #: FP-FRI-1X3-B (W)
 (1 WIDE X 3 DEEP LINE ARRAY KIT)
 (2 FRI+122 OR 3 FRI+152)



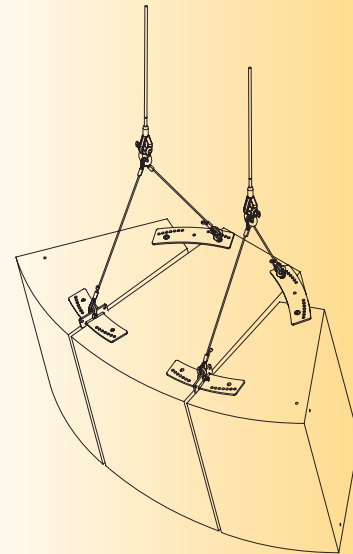
TWO-WAY PLANAR ARRAY
 PART #: FP-FRI-2X1-B (W)
 (2 WIDE X 1 DEEP PLANAR ARRAY KIT)
 (2 FRI+122 OR 2 FRI+152)



THREE WAY PLANAR ARRAY
 PART #: FP-FRI-3X1-B (W)
 (3 WIDE X 1 DEEP PLANAR ARRAY KIT)
 (3 FRI+122 OR 3 FRI+152)



THREE WAY PLANAR ARRAY
 PART #: FP-FRIS1-3X1-B (W)
 (3 WIDE X 1 DEEP PLANAR ARRAY KIT)
 (2 FRI+122 AND 1 FRI-181S)



THREE-WAY PLANAR ARRAY
 PART #: FP-FRIS2-3X1-B (W)
 (3 WIDE X 1 DEEP PLANAR ARRAY KIT)
 (2 FRI+152 AND 1 FRI-181S)



A division of:
ADAPTIVE TECHNOLOGIES GROUP

1637 E. Burnett Street
 Signal Hill, CA 90755 USA
 PH: 562.424.2200 FX: 562.424.1127

www.atmflyware.com

WARNING: Mounting and/or suspension loudspeakers requires experienced professionals. Improperly installed loudspeakers can result in property damage, personal injury and/or liability to the installing contractor.



MADE IN THE USA

ALWAYS USE SAFETY CABLES.