



Thank you for selecting the all weather MultiMount™ MM-008-CM speaker mounting kit. This mounting kit contains two speaker mounts that independently aim and tilt speakers weighing up to 15 lbs/6.8 kg from most ceiling structures. The MM-008-CM accommodates speakers with both single and two hole mounting patterns.

Note to installers

Due to the wide variety of wall structures, materials and mounting methods, these instructions assume that the installing contractor will exercise proper judgment in selecting the mounting area and hardware.

As a guide, the installation, when complete should be capable of supporting 5 to 10 times the actual applied load. Always use a back up safety system such as a safety cable.

To assure a trouble free installation, read through and follow these instructions carefully before beginning. If you have doubts about the integrity of the structure you are mounting to or you are not sure about the proper hardware to use, consult a structural and/or hardware specialist.

Be sure that all of the following items are included in this kit before proceeding:

2 pcs Ceiling mounting plate	2 pcs Support arm
2 pcs Speaker adapter plate	2 pcs U shaped rotator bracket
2 pcs Hardware kit (for two sets)	1 pc Instruction sheet

Note: Screws and washers to attach speaker to adapter plate are not included

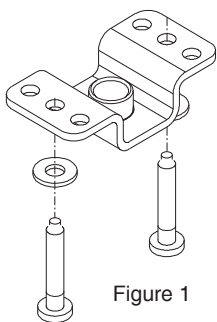


Figure 1

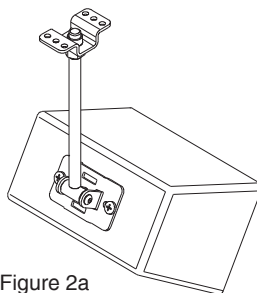


Figure 2a
Horizontal speaker
adapter plate installation

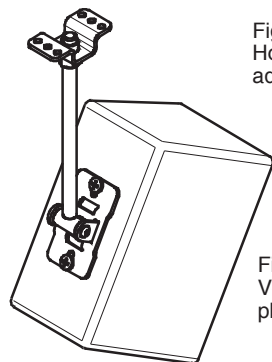


Figure 2b
Vertical speaker adapter
plate installation

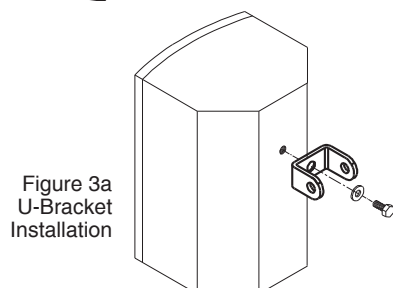


Figure 3a
U-Bracket
Installation

Step 1: Install Mounting Plate

Predetermine the desired direction of the speaker then install the mounting plate and support arm using the appropriate hardware for a ceiling mounted application (*Figure 1*).

Step 2: Decide on Vertical or Horizontal Speaker Orientation

Horizontal (*Figure 2a*) or vertical installation (*Figure 2b*).

Use the speaker's mounting screw to install the adapter's U-bracket to the speaker (*Figure 3a*) then attach the support arm to the U-bracket using the included 5/16" button head screws and star washers (*Figure 3b*).

Important:

The sharp edges of the star washer must face the inside surface of the speaker adapter plate flanges to achieve proper tilt locking (*Figure 3b*)

For speakers with two mounting holes:

Insert the legs of the U-bracket through the desired slots of the speaker adapter plate that puts the speaker into the desired vertical or horizontal orientation. Secure parts with the flat head screw and nylock nut (*See Figure 4A and 4B for horizontal and vertical orientations*).

Step 3: Attach adapter plate to speaker

For vertically oriented speaker installations see *Figure 5a*. For horizontally oriented speakers see *Figure 5b*. If threaded inserts and/or mounting screws are not included on the speaker, consult the speaker manufacturer for proper mounting procedures

Attach the speaker adapter plate to the appropriate mounting holes of the speaker using the manufacturer's suggested screws and washers. Tighten these fasteners permanently.

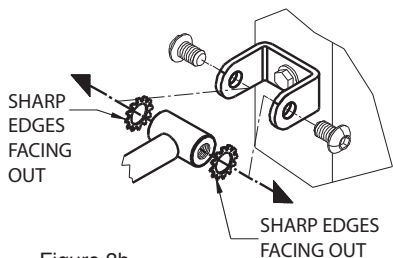


Figure 3b
Support Arm Installation

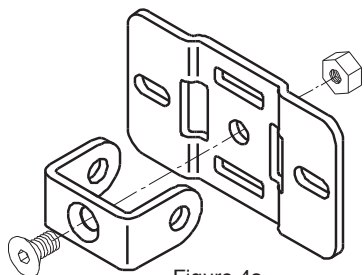


Figure 4a
Horizontal Installation

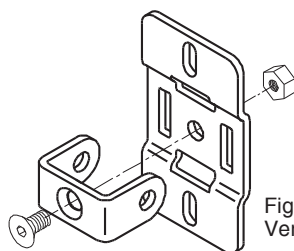


Figure 4b
Vertical Installation

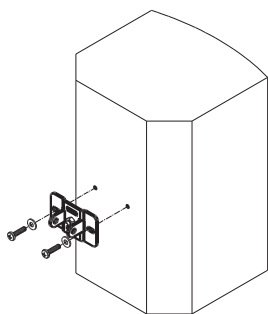


Figure 5a

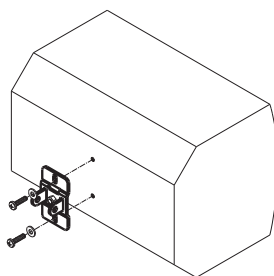


Figure 5b

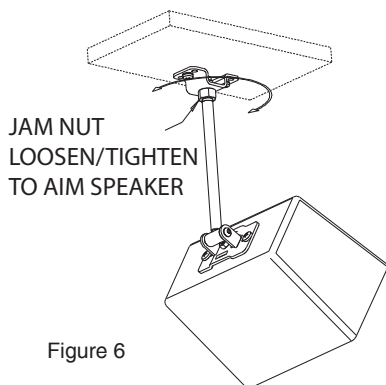


Figure 6

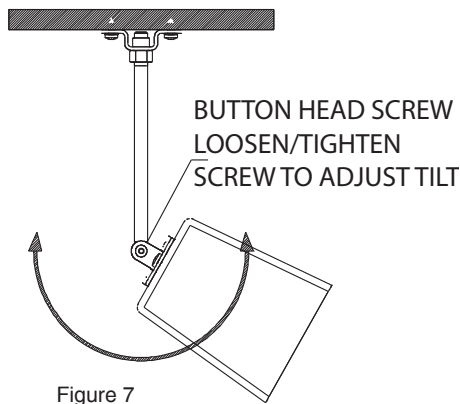


Figure 7

Step 4: Install Support arm:

Insert the support arm through the mounting plates by bolting the support arm inside the flanges of the U-bracket using the 5/16 button head screws and star washers in between the flanges and the support arm (Figure 3B).

Important:

The sharp edges of the star washer must face the inside surface of the speaker adapter plate flanges to achieve proper tilt locking (Figure 3b).

Step 5:

Lift and install the support arm speaker assembly to the ceiling plate (Figure 6).

Step 6: Setting the tilt angle

While supporting the speaker's weight, loosen the button head screws at the sides of the speaker adapter plate (do not remove). Position the speaker to the desired tilt angle and hold in position, then re-tighten the screws. Be sure that the screws have been tightened permanently before releasing the weight of the speaker (Figure 7).

If the tilt angle needs to be adjusted, DO NOT PULL ON SPEAKER, rather repeat step 6.

Step 7. Setting the pan angle:

Rotate the speaker horizontally right or left until the speaker is aimed in the desired direction. Permanently tighten the 1/2" jam nut at the top of the mounting plate with a 1/2" hex wrench (Figure 6).

Step 8. Recommendation: Install Safety Cable

Attach a safety cable (sold separately) to the mounting surface (Must be able to support at least five times the weight of the speaker), then attach the other end of the safety cable to the speaker. If no attachment is provided on speaker, consult speaker manufacturer for advice on best attachment point and method.