

MultiMount[®]

MM-060-EXT-11

11" long Wall Mount Arm Installation Instructions

The MultiMount™ MM-060—EXT-11 Wall Mount Arm is an accessory to the MM-060. This longer wall mount arm replaces the existing arm and extend the distance of the speaker from the wall.

Warning:

Mounting and/or rigging equipment requires experienced professionals.

Improperly installed loudspeakers can result in property damage, personal injury, death and/or liability to the installing contractor.

Note to installing contractor:

Due to the wide variety of wall structures, materials and mounting methods, these instructions assume that the installing contractor exercise proper judgment in selecting the mounting area and mounting hardware.

As a guide, the installation, when complete should be capable of supporting up to 5 times the actual applied load without failing. Use a backing plate or plywood if necessary.

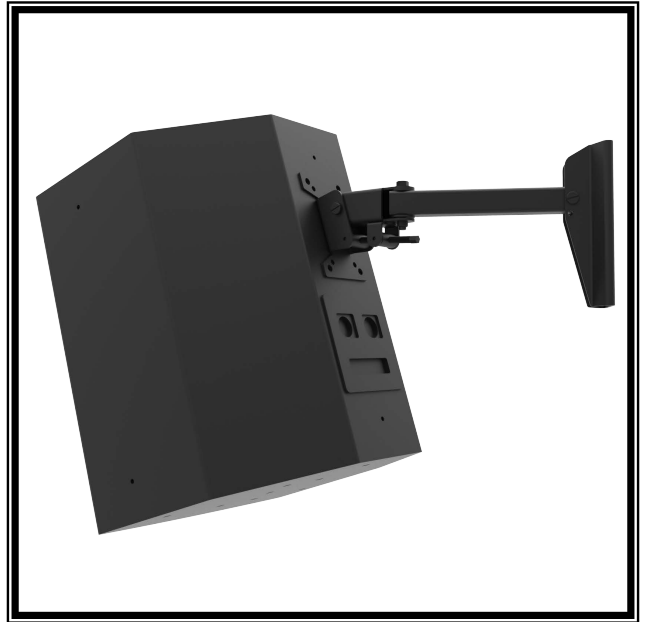
Also, always use a back up safety system such as a safety cable.

To assure a trouble free installation, read through and follow these instructions carefully before beginning. If you have doubts about the integrity of the structure you are mounting to or you are not sure about the proper hardware to use, consult a structural and/or hardware specialist.

Be sure that all of the following items are included in this kit before proceeding:

Item #:	Qty	Description
1.	1 pc.	11" Wall Mount Arm

Before beginning the installation process, first determine if the mount will attach to the rear or the bottom panel of the speaker then select the corresponding instructions below;



MM-060-EXT-11 Mounted on MM-060



MM-060-EXT-11

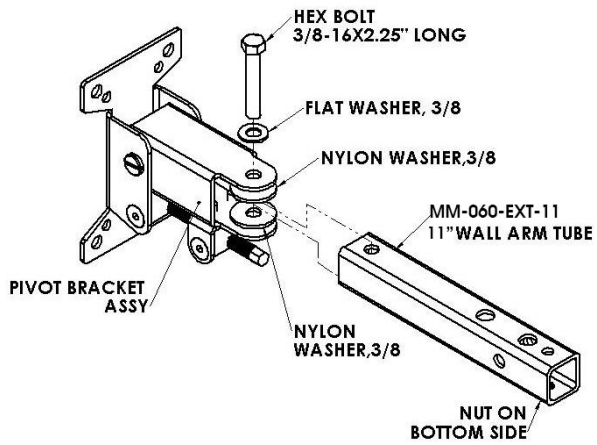


Figure 1

Step 1: Remove short Arm

Detach the short arm of the MM-060 from the pivot bracket by loosening and removing the 3/8 hex bolt. (Figure 1). Replace short arm with the 11" long arm with the nylon washers in between the pivot bracket and the 11" wall arm. Secure using the 3/8 hex bolt. Snugly tighten connection (Figure 1).

Note:

Make sure the nut of the wall mount arm is on the bottom, same side as the tilting drive screw.

Step 2:

Refer to MM-060 Installation guide.