

Installation Guide

MM-705-WM

Pan & Tilt Bottom Mounted Speaker Mount

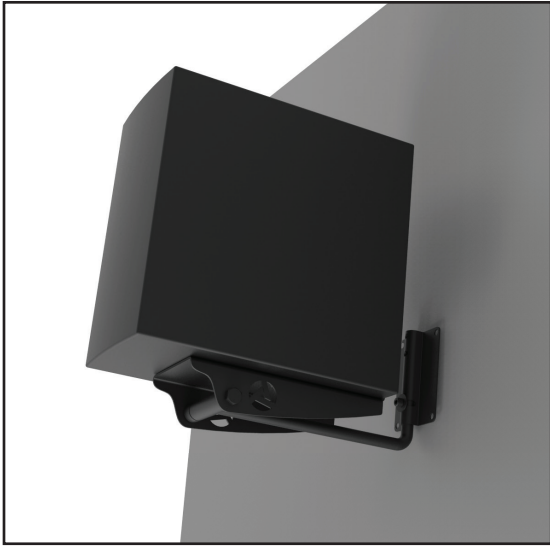


Figure 1

The MM-705-WM is an indoor speaker mount that attaches loudspeakers, weighing up to 15 lbs., to walls and other structural surfaces.

Contents:

Be sure that all of the following items are included in this kit before proceeding:

- 1 pc Adapter Plate
- 1 pc Wallplate Bracket
- 1 pc Support Arm Assy
- 1 bag Hardware Kit

Installation Procedure:

Step 1:

Attach the mounting plate to the desired location with the slot on the lower end.

Step 2:

Remove the two screws from the back of the speaker using a T15 torx head driver and remove the two screws from bottom of the speaker using a 5/32 hex key. Attach the speaker mount assembly to the speaker in the indicated orientation and secure using the provided flat washer and lock washer screws. Tighten screws permanently (Figure 2).

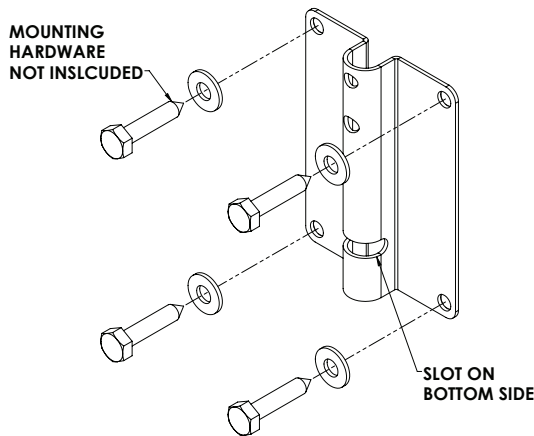


Figure 2

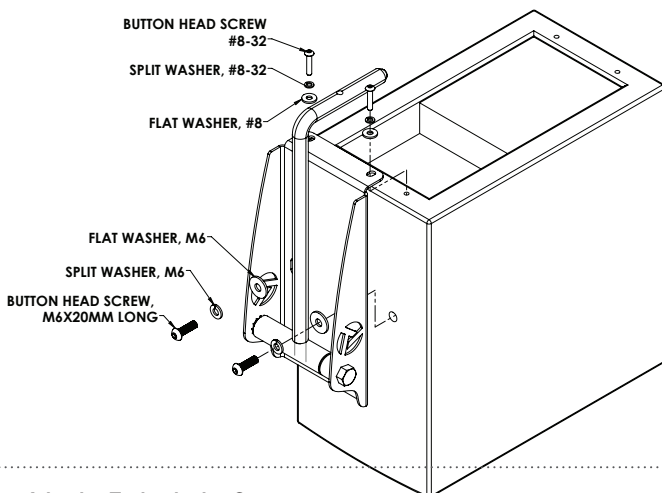
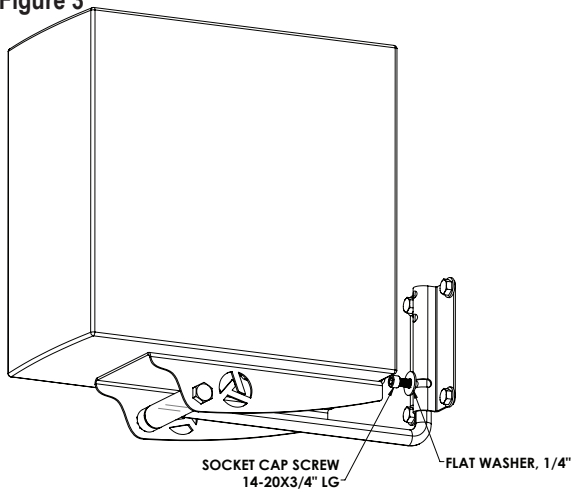


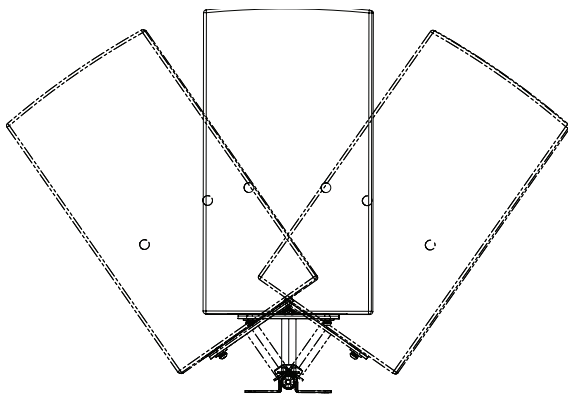
Figure 3



Step 3:

Lift the assembled speaker with the support arm up to the slotted end of the wall mounting plate. Line up the threaded hole of the support arm with the open slot of the wall mounting plate. Screw in the included socket screw and flat washer, and then tighten loosely (Figure 3).

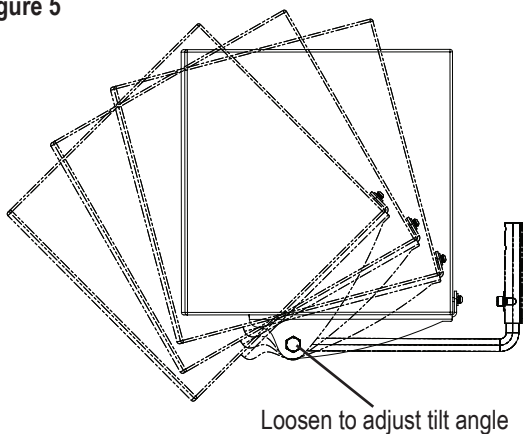
Figure 4



Step 4:

Rotate the speaker horizontally until the speaker is aimed into the desired direction, then tighten the socket screw at the mounting plate permanently (Figure 4).

Figure 5



Step 4:

Loosen the right and left threaded side bolts on the pivot rods. Tilt the speaker to the desired tilt angle then tighten the 3/8" hex tap bolts of the speaker adapter plate. Be sure that the bolts have been tightened permanently before releasing the weight of the speaker. If the tilt angle must be further adjusted, do not pull on the speaker, rather, firmly hold the speaker in place, loosen the side bolts, reposition the speaker, then retighten the bolts permanently into the new position (Figure 5)

Step 5: Recommended

Attach safety cable to the speaker and secure to structure.

Note to installers:

Due to the wide variety of wall structures, materials and mounting methods, the installing contractor must exercise proper judgment in selecting the mounting area and hardware. As a guide, the installation, when complete should be capable of supporting 5 to 10 times the actual applied load. Always use a backup safety system such as a safety cable. To assure a trouble-free installation, read through and follow these instructions carefully before beginning. If you have doubts about the integrity of the structure you are mounting to or you are not sure about the proper hardware to use, consult a structural and/or hardware specialist.