

PL-2500-SL

The Lift

LARGE FORMAT PROJECTOR SCISSOR LIFT - 8 FT TRAVEL

Pro-Lift™



Shown with XY Interface

Select Adaptive's Pro-Lift Scissor Lift System to position and stow large format DCI digital projectors in auditoriums, theaters, screening rooms etc. Pro-Lifts are professionally engineered, easy to install, computer controlled and built to UL standards.

The Lift's powerful electric drive system quietly and safely raises and lowers heavy projectors, enclosures and other gear.

Three frame and chassis sections make the Pro-Lift Scissor Lifts easy to install. The Docking Frame anchors to the facility's overhead ceiling structure, the Lift's Chassis bolts to the Docking Frame and houses the powerful electric drive motor, gear box, lifting cable reels and scissors. The lower frame serves as the interface between the Lift's scissors and the projector or projector enclosure.



Shown with Hush Box

STANDARD FEATURES:

- ▶ Quiet Running
- ▶ Dual Electric Winch System
- ▶ Remote Wall Switch Actuator
- ▶ Repeatable Stop Returns
- ▶ Controllable Up/Down Speed
- ▶ Four Adjustable Stop Sensors
- ▶ Overhead Docking Frame
- ▶ Dual Fall Protection
- ▶ Projector Wire Management

OPTIONAL ACCESSORIES:

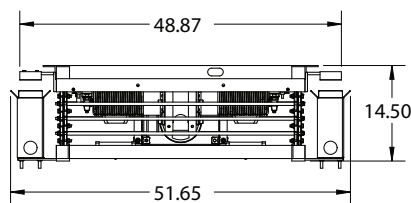
- ▶ Standard and Networkable Controllers
- ▶ Optional X-Y Projector Interface Kit
- ▶ P-BOX-15 Projector Hush Box

SPECIFICATIONS:

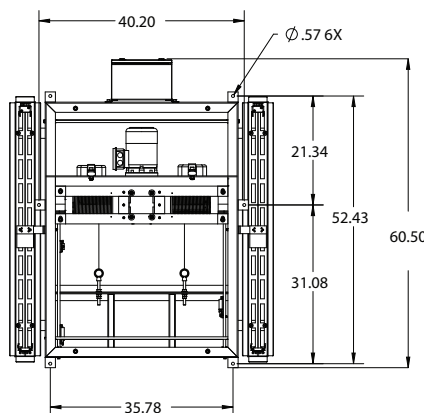
- Mechanical:** Over 8ft of Vertical Travel
- Max Payload:** 600lb / 273kg
- Dimensions:** 52 in W x 53 in L x 14.5 in H
- Weight:** 381 lb / 173 Kg
- Electrical:** 230V 60 Hz Single Phase 20A with ground wire.
- Power Consumption:** 1KW at 50 Hz



Rated for indoor use.

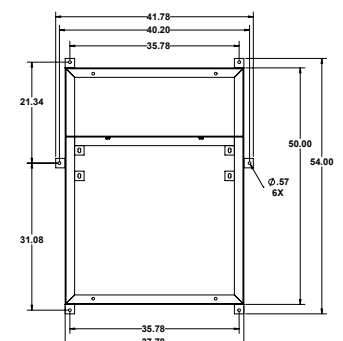


Back View



Top View

Docking Frame Top View



ALWAYS INSTALL SAFETY CABLES

WARNING: Mounting and/or suspension of audio and video equipment requires experienced professionals. Improperly installed loudspeakers can result in property damage, personal injury and/or liability to the installing contractor.



PL-2500-SL

The Controllers

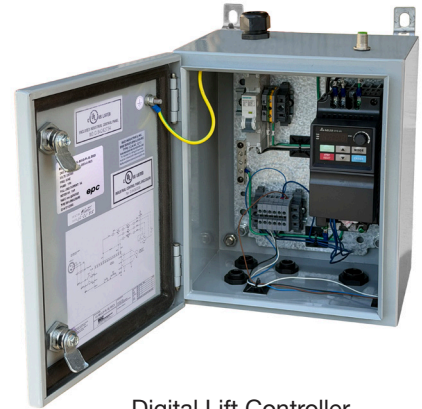
LARGE FORMAT PROJECTOR SCISSOR LIFT - 8 FT TRAVEL

Pro-Lift™

Digital Lift Controller with Wall Switch



Choose from three different on-board controllers, tailored the Lift's intended use. Each on board controller is equipped with an umbilical cable that connects to the Lift's motor and contact switches and can be relocated to a nearby wall for easy accessibility. In addition, it comes with a 30 foot long cable and lockable steel enclosure that houses the wall switch at ground level



Digital Lift Controller

Wall Switch and Lockable Enclosure

The controller mounts either directly to the main frame of the scissor lift chassis, or to a nearby wall or structure, up to 6 feet away from the chassis. A 6 foot-long umbilical cable with connectors comes with the controller.

Also included with the digital controller is a lockable steel wall mountable enclosure with a switch that controls the lift's movements. A 30 foot-long extension with connectors is included and additional extensions are available separately.



Wall Switch & Enclosure

PL-WL-DEC Two positions

The most common controller is the PL-WL-DEC, which offers the basic up and down positions, for show and maintenance, each is set in the field by way of field adjustable contact switches located on the main chassis.

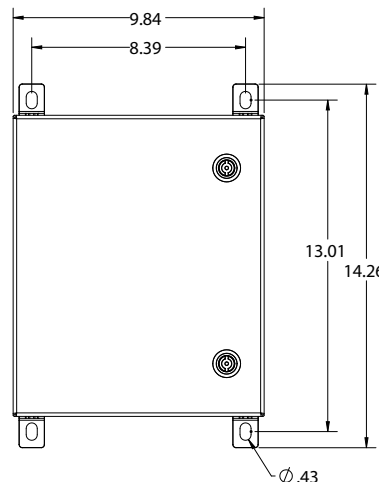
PL-WL-DEC3 Three positions

This is designed in cases where the scissor lift needs to be stowed above a dropped ceiling for sight line, cosmetic or clearance issues. This controller provides a stow, show and a maintenance position, also set on site in position via contact switches.

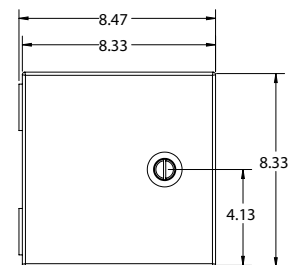
PL-WL-DEC+ Networkable

In more complex applications and venues, the PL-WL-DEC+ controller is programmable and networkable and communicates with show controllers via Modbus logic, allowing the Lift to be raised and lowered remotely. This controller also allows the Lift to be stopped in three positions, stow, show and maintenance.

Control Panel
Front View



Wall Switch
Front View



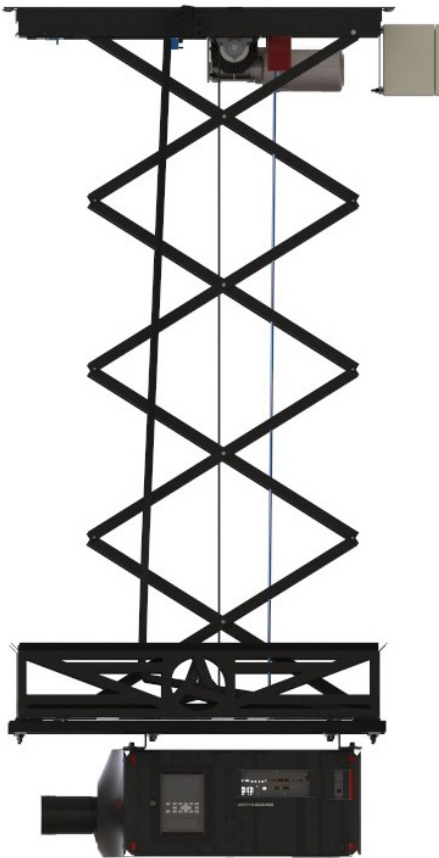
PL-2500-SL

The Attachments

LARGE FORMAT PROJECTOR SCISSOR LIFT - 8 FT TRAVEL

Pro-Lift™

Extended Position

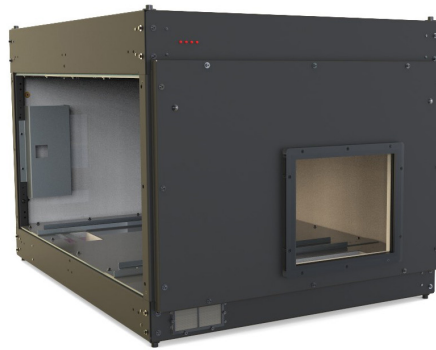


Retracted Position



Side View

The Hush Box Option
P-BOX-15 Sound Enclosure



This quiet-running and internally ventilated enclosure conceals DCI digital projectors inside screen rooms and auditoriums, etc. keeping projectors cool and quiet.

Use this professionally engineered, computer controlled and UL compliant enclosure as a Hush Box or mount it onto one of Adaptive's precision-powered Wall or Scissor Lifts.

The Direct Mount Option
PL-SL-XY-IK Interface Kit



When attaching a projector directly to the bottom of the Scissor Lift, remove the projector's feet, line up the Interface's cross bar slots and bolt them down to the projector, then lower the Scissor Lift over the Interface assembly and attach its outer channels to the Lift.

Mounting the Pro-Lift Scissor Lift:

The installation of the Pro-Lift-Scissor Lift must be reviewed by a building engineer, installed professionally and supervised by an operator. The facility's structure must support a minimum of 1100 lb/500 Kg, which includes the Lift, up to 350 lb/160 Kg of projectors and equipment and up to 216 lb/98 Kg for a sound enclosure.

The Scissor lift comes with a six-point top mounting frame that secures to the overhead structure. The Lift's chassis mounts under the top frame. The scissor assembly and lower frame attaches to projector by way of the universal XY Interface adapter bracket or directly to a sound enclosure.

Adaptive Technologies Group
1635 E. Burnett Street | Signal Hill, CA 90755 USA
Ph: 562.424.1100 | Fax: 562.424.3520
www.adaptivetechologiesgroup.com

ALWAYS INSTALL SAFETY CABLES

WARNING: Mounting and/or suspension of audio and video equipment requires experienced professionals. Improperly installed loudspeakers can result in property damage, personal injury and/or liability to the installing contractor.



ADAPTIVE
TECHNOLOGIES GROUP

by: **Proyecson**