

PL-3800-WL

LOW-PROFILE PROJECTOR LIFT

Pro-Lift™



Wall Supported Projector Lift

The ProLift Projector Wall Lift places large format projectors into the playing position then lowers them down for loading, unloading and for service.

The projector carriage travels up and down on precision ground vertical tracks bearings that brings the projector back up to the same playing position each time. It will carry the projector by itself or support a sound enclosure where necessary.

Its electric motor and drive system are mounted at the top, allowing the lower section to nest in close to the wall and out of the way. The vertical travel is controlled by a remote up/down wall switch and it's upper and lower limits are set by contact switches that are accessed from the side.

Optional telescoping covers are available and recommended in public areas.



Enclosure sold separately

KEY FEATURES:

- ▶ 152"/3860mm High 56"/ 1422 mm Vertical Travel
- ▶ Sturdy construction
- ▶ Extremely low maintenance
- ▶ Alloy Steel Framework
- ▶ Black powder coat
- ▶ Long-standing static positioning
- ▶ Accurate return repeatability
- ▶ Fall protection
- ▶ Adjustable limit switch for accurate positioning

SPECIFICATIONS:

Lifting Weight: 500lb. / 227 Kg.

Power supply voltage: 230V AC

50/60 Hz single-phase 20A with ground wire

Power consumption is: 1kW at 50Hz

Dimensions

- H - 152"/3860mm

- W - 44.5"/1130mm

- D - 67.125"/1705mm

Gross Weight

- 450lb / 204kg



Rated for indoor use.

Adaptive Technologies Group
1635 E. Burnett Street | Signal Hill, CA 90755 USA
Ph: 562.424.1100 | Fax: 562.424.3520
www.adaptivetechnologiesgroup.com

ALWAYS INSTALL SAFETY CABLES

WARNING: Mounting and/or suspension of audio and video equipment requires experienced professionals. Improperly installed loudspeakers can result in property damage, personal injury and/or liability to the installing contractor.



ADAPTIVE
TECHNOLOGIES GROUP

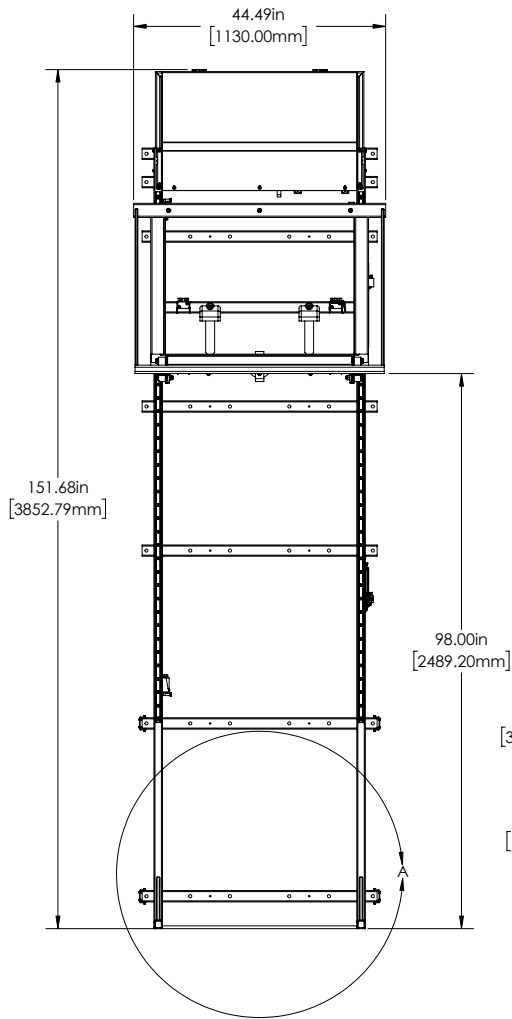
by: **Proyecson**

PL-3800-WL

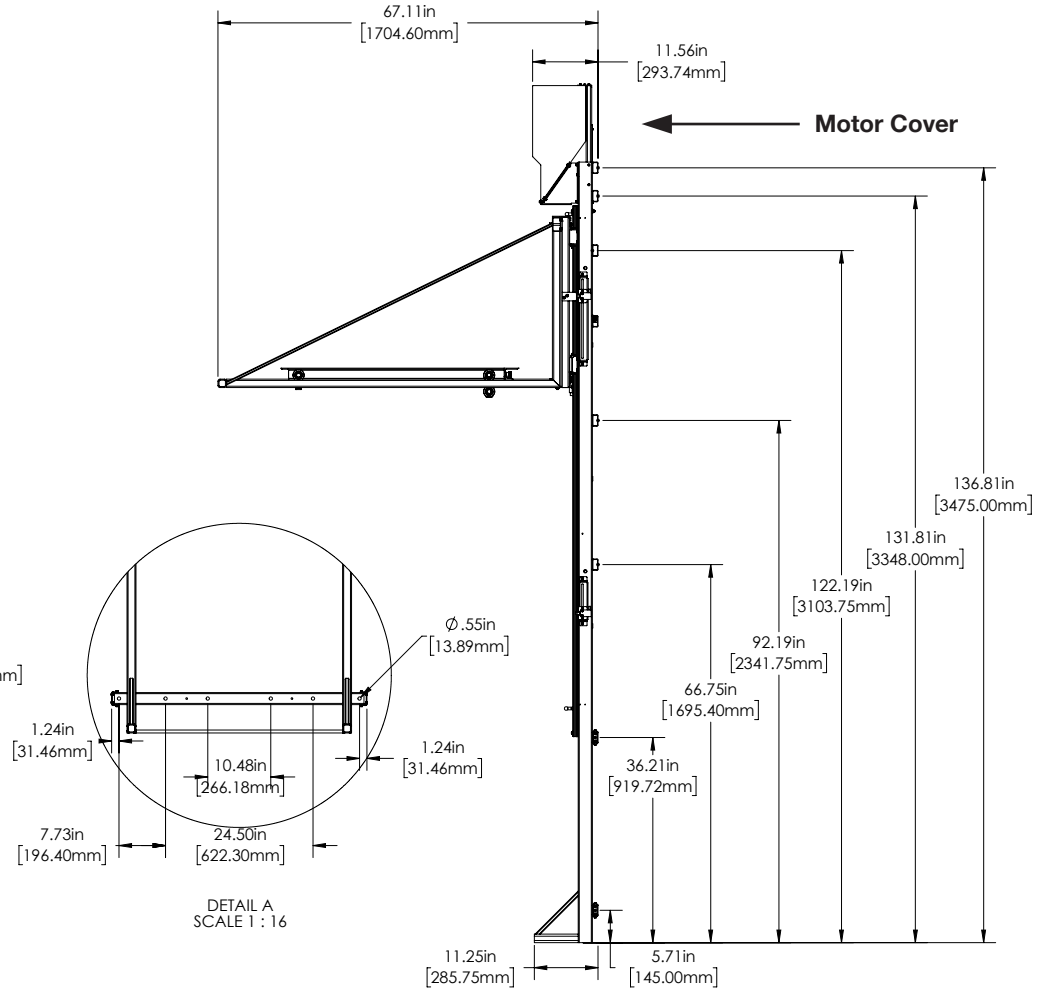
LOW-PROFILE PROJECTOR LIFT

Pro-Lift™

Front View



Side View



Electrical Requirements:

The Pro-Lift Wall Lift electrical system is a plug and play system and its separate 20 amp circuit requires 230V AC single phase 50/60hz. The 24 V AC up/down remote wall switch plugs directly into the Main Controller. The Lift comes with a NEMA plug but it may also be hard-wired in.

Mounting Requirements

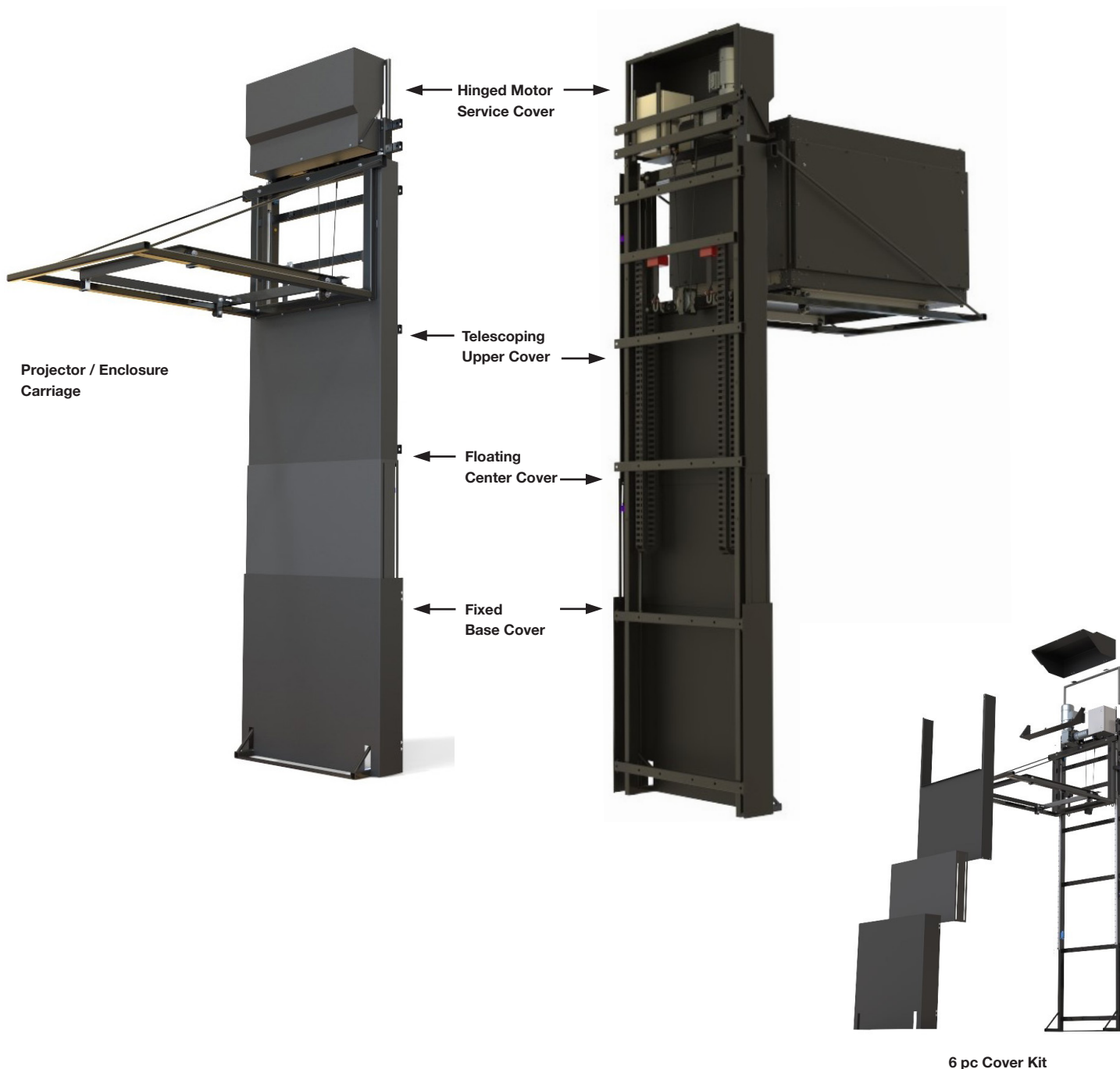
The Pro-Lift Wall Lift must rest on a firm level floor surface and be secured to a flat vertical wall. Plywood is commonly used as a back board for mounting. The back board secures to the wall or wall studs and it must be capable of supporting a minimum of 880lbs/400Kgs of tension (pull-out). The Wall Lift Frame then attaches to the back board and is secured by using its horizontal mounting points. We recommend that all twenty mounting points be used and that each of them are able to withstand a minimum of 290lbs/131.5Kgs of pullout force.

ALWAYS INSTALL SAFETY CABLES

WARNING: Mounting and/or suspension of audio and video equipment requires experienced professionals. Improperly installed loudspeakers can result in property damage, personal injury and/or liability to the installing contractor.



Telescoping Safety Covers



Telescoping safety covers are available to prevent access to the Lift's mechanisms and to prevent injury during its operation. They attach directly to the Lift's frame and traveling carriage. The base cover is fixed. This kit ships in a carton measuring 60" x 43" x 10" inches and weighs 60 lbs