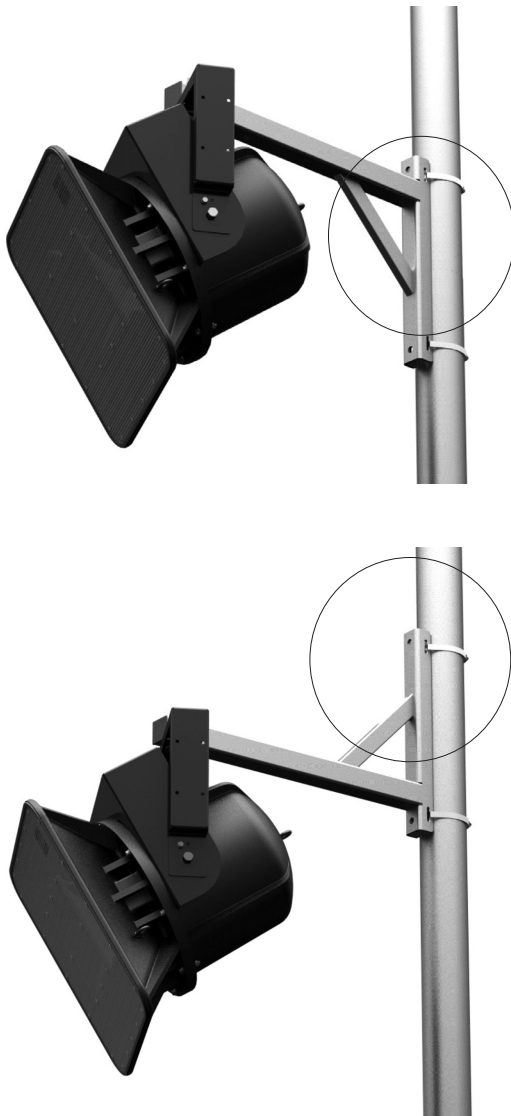


### Polestar™ 2" to 6" Pole Mount with 24" Long Arm



The PoleStar™ PM-24-6DOWN-G all-weather, galvanized steel pole mount is designed to mount loudspeakers and other equipment from vertical surfaces and columns. The PoleStar™ PM-24-6DOWN-G accommodates many standard mounts for a wide variety of mounting solutions, including, yokes and U-Brackets.

The universal strap kit provides a banding system to attach the PM-24-6DOWN-G Pole Mount to vertical poles or columns from 2" up to 6" diameter.

#### Note to installers

Due to the wide variety of wall structures, materials and mounting methods, these instructions assume that the installing contractor will exercise proper judgment in selecting the mounting area and hardware.

As a guide, the installation, when complete should be capable of supporting 5 to 10 times the actual applied load. Always use a back up safety system such as a safety cable.

To assure a trouble free installation, read through and follow these instructions carefully before beginning. If you have doubts about the integrity of the structure you are mounting to or you are not sure about the proper hardware to use, consult a structural and/or hardware specialist.

Follow these instructions for the most efficient and safest mounting results.

- 1 pc Pole Mount, 6DOWN" w/ 24" arm
- 1 pc Panloc Bracket
- 1 bag Pole Mount hardware kit
- 1 bag Panloc hardware kit

- 2 pcs Banding strap assembly
- 1 pc Instruction sheet

#### Do not use pneumatic tool to tighten bolts.

Use locite to permanently secure nuts to bolts and prevent loosening overtime.

Bolt torque: 35-40 foot pounds.

#### Install Banding Strap Kit

**Step 1:** Insert the end of the band through the slots of the PM-24-6DOWN-G and out on the other side. Wrap the banding strap snugly around the pole until the end reaches the band's housing (*Figure 1*).

**Step 2:** Insert the end of the banding strap into the housing's opening then rotate the screw clockwise using a screw driver or a socket wrench to tighten the band around the pole (*Figure 2*). Do not fully tighten.

**Step 3:** Position the location of the PM-24-6DOWN-G on the pole and then fully tighten screw using screw driver or a wrench to desired tension and complete the banding operation. Recommended torque is 30-40 in/lb (*Figure 3*).

**Step 4:** Repeat steps 1 to 3 for the lower banding strap assembly (*Figure 4*).

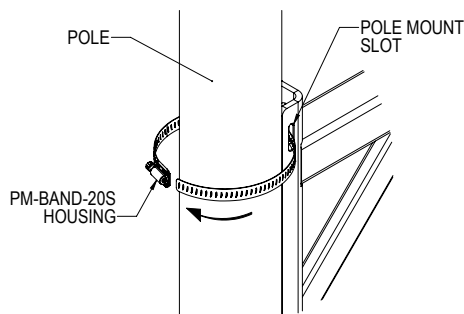


Figure 1

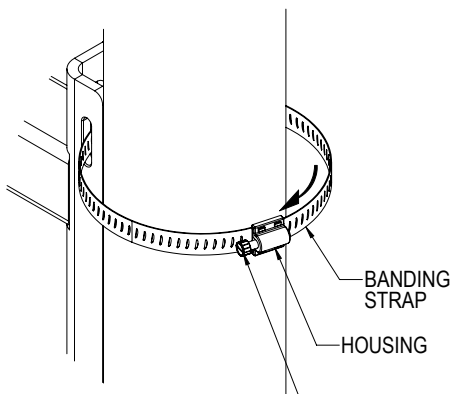


Figure 2

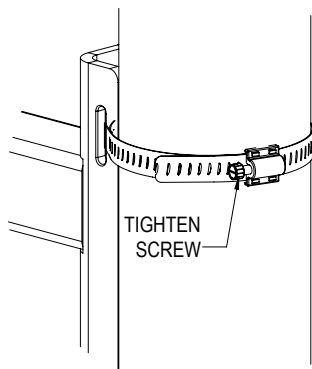


Figure 3

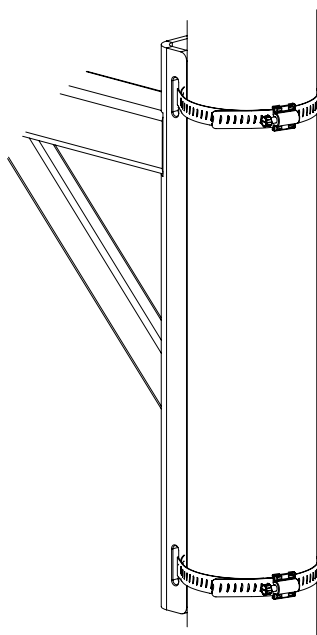


Figure 4

### Install Speaker Mount:

#### Step 5: Attach a Speaker Mount to the Arm

Attach the selected mount's center hole to the selected extension arm's hole using the included 1/2-13 x 3.5" or 4.5" long hex bolt, split lock washer, fender washer, friction washer, and Nyloc nut. Length of bolts to use depends on the type of mounts being installed. Make sure the friction washer is placed in between the arm and the mount (Figure 5). Rotate mounts/speaker assembly to desired angle then tighten bolts permanently.

**Notes:** Holes on extension arm are 24", 21" and 18" from pole adapter.

#### Step 6: Install and Aim Speaker(s)

Following the instructions of the mount, install and aim loudspeaker then tighten hardware and angles permanently.

#### Step 7: Install End Caps

After installation, cover the end of the arm with the provided 2 x 2 end cap. Trim end caps if necessary to clear bolts head and washers.

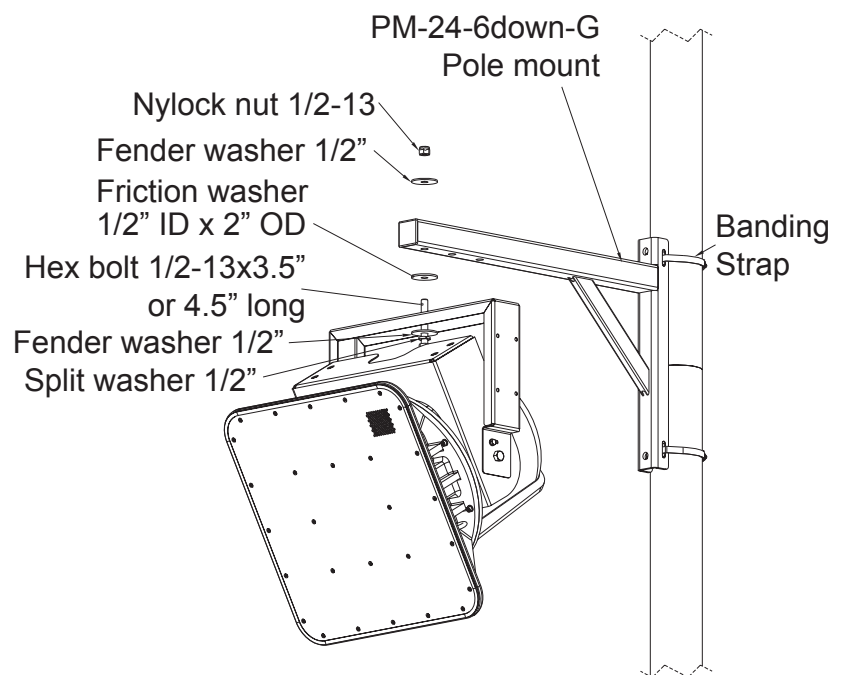


Figure 5

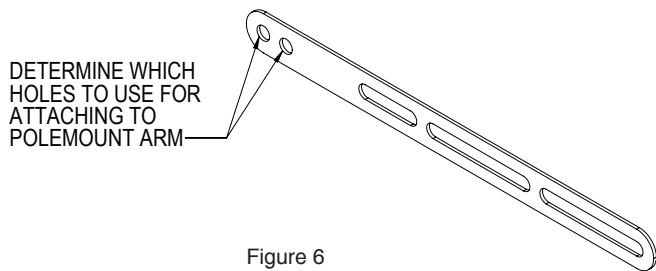


Figure 6

### Step 8: Attach Panloc Bracket

Position the panlock bracket on the polemount and U-bracket to determine which hole to use. If the hole on the U-bracket does not line up on the slots of the panlock bracket, use the next hole on the end (Figure 6).

### Step 9:

Attach the panlock bracket to the polemount arm's hole, preferably to the farthest hole from the edge using the provided 1/2-13x3" bolts, flat washers and nyloc nut. Do not tighten (Figure 7).

### Step 10:

Align the slotted end of the panlock bracket to a hole or slot on the u-bracket. Use the farthest hole as much as possible to get the most leverage. Use the provided the 3/8-16 bolts, washers and nuts to secure the panlock bracket to the U-bracket (Figure 8).

### Step 11:

Tighten the bolts and nuts to permanently secure the panlock bracket.

### Step 12:

Install safety cable secure a safety cable to the pole or column, and then attach the other end of the safety cables to the speakers to bypass the mounting system.

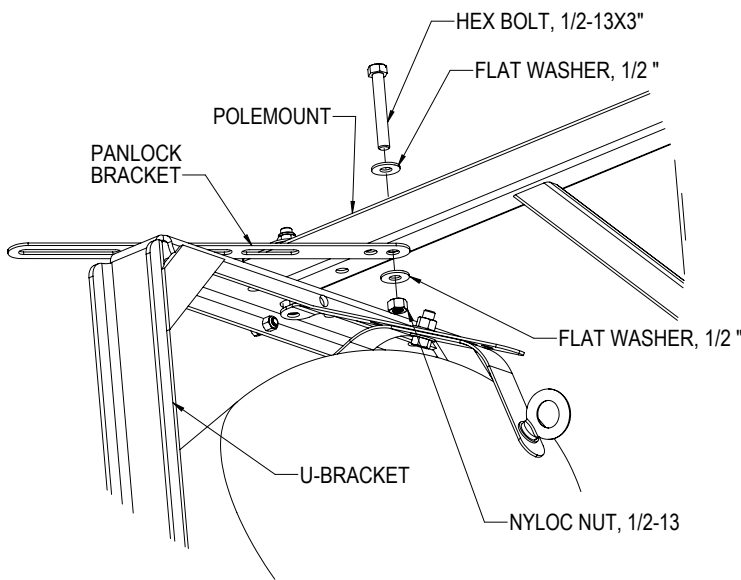


Figure 7

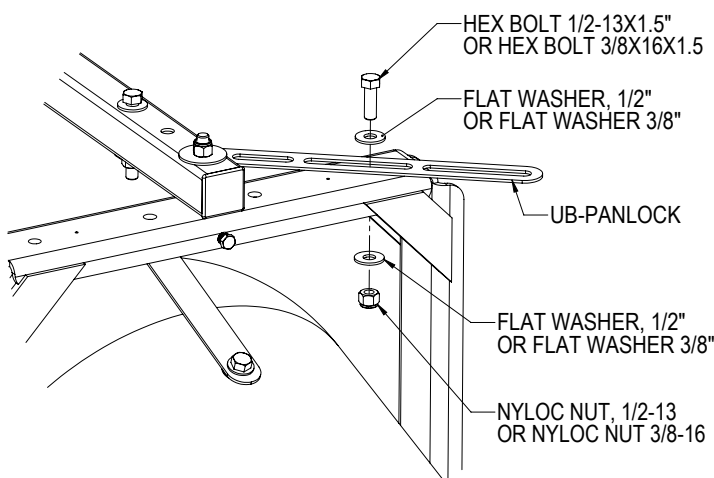


Figure 8