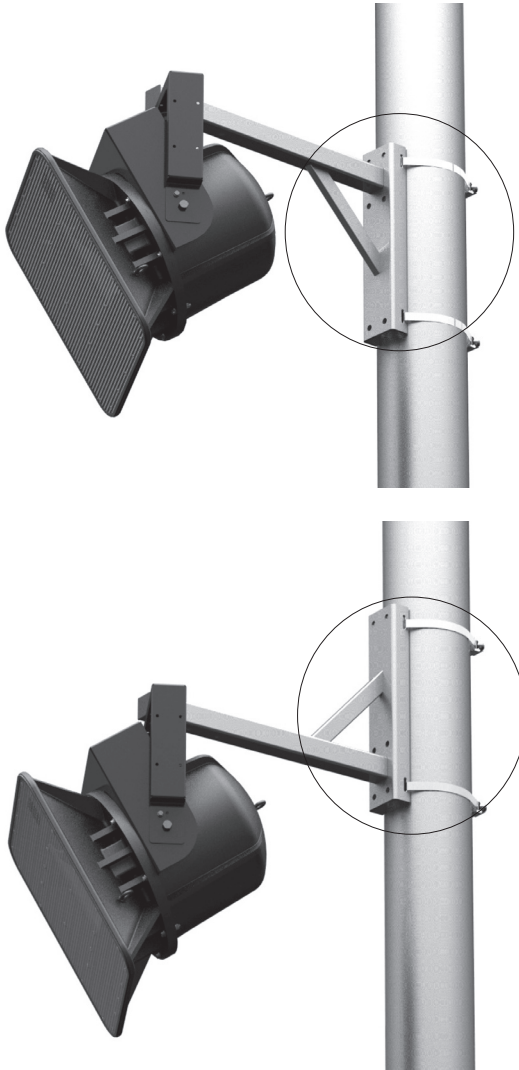


PoleStar™ 6" & up pole mount with 24" long arm



The PoleStar™ PM-24-6UP-G all-weather, galvanized steel pole mount is designed to mount loudspeakers and other equipment from vertical surfaces and columns. The PoleStar™ PM-24-6UP-G accommodates many standard mounts for a wide variety of mounting solutions, including, yokes, U-brackets and the PoleStar™ dual adapter for mounting and aiming three loudspeakers. The universal strap kit provides a banding system to attach the PM-24-6UP-G Pole Mount to vertical poles or columns from 6" up to 24" diameter.

Note to installers

Due to the wide variety of wall structures, materials and mounting methods, these instructions assume that the installing contractor will exercise proper judgment in selecting the mounting area and hardware.

As a guide, the installation, when complete should be capable of supporting 5 to 10 times the actual applied load. Always use a back up safety system such as a safety cable.

To assure a trouble free installation, read through and follow these instructions carefully before beginning. If you have doubts about the integrity of the structure you are mounting to or you are not sure about the proper hardware to use, consult a structural and/or hardware specialist.

Follow these instructions for the most efficient and safest mounting results.

- | | |
|-------------------------------------|------------------------|
| 1 pc Pole Mount, 6" & up w/ 24" arm | 1 pc Instruction sheet |
| 1 pc Panloc Bracket | |
| 1 bag Polemount hardware kit | |
| 1 bag Panloc bracket hardware kit | |
| 2 pcs Retaining bolt & block assy | |
| 2 pcs 90" Long banding strap | |

Do not use pneumatic tool to tighten bolts.

Use loctite to permanently secure nuts to bolts and prevent loosening overtime

Bolt torque: 35-40 foot pounds.

Do Not Exceed the Working Load Limits of:

WLL: 190 lb / 86.4 Kg single speaker

WLL 300 lb / 136 Kg three equal weight speakers

Install Banding Strap Kit

Step 1: Assemble fixed retainer block from the band kit

Mark the strap at least 4-6 inches from the end and fold the strap at the mark. Strike the strap at the bend to create a sharp radius. Slide the strap through the fixed retainer block so that its bend will pass over the beveled end of the block (*Figure 1*).

Step 2: Assemble the PM-24-6UP-G to the strap

Insert the free end of the strap through the slots on the side of the pole mount channel, then through the sliding retainer block, non-beveled end first (*Figure 2*).

Step 3: Determine strap length for pole

Holding the fixed block firmly against the pole, overlap the strap. Move the sliding retainer block up against the fixed retainer block so that their two beveled edges meet each other (*Figure 2*).

Step 4: Move the sliding retainer block back at least 1"-2" and fold the strap at the sliding retainer block's beveled end. Strike the bend to form a sharp radius. Trim away the excess strap material leaving 6" or more of left over

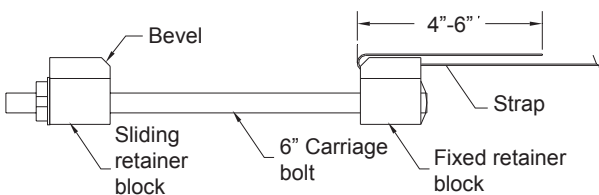


Figure 1

PoleStar™ 6" & up pole mount with 24" long arm

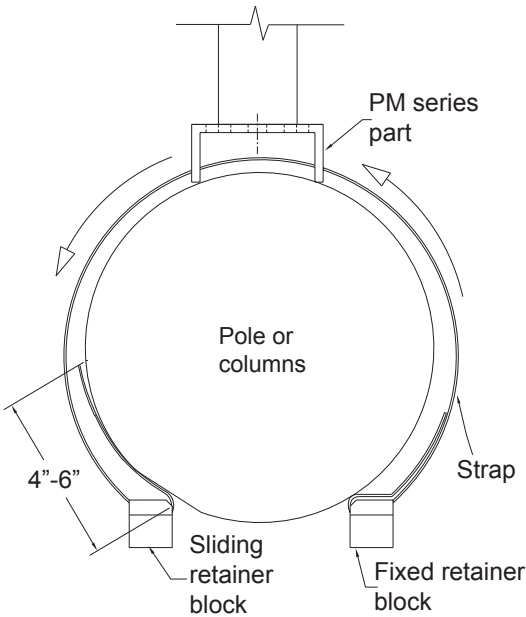


Figure 2

material. A longer tail length provides more effective locking. Feed any excess strap material through the pole mount slots, if necessary.

Step 5: Bend the strap at both retainer blocks, near the non-beveled ends to allow the carriage bolt to easily pass through the retainer blocks (Figure 3 and 4).

Step 6: Place the strap assembly around the pole, at the final mounting height and secure the retaining blocks with the carriage bolt, flange nut and flat washer. Be sure that the pole adapter is oriented into the right direction and with the bolt assembly on the opposite side of the pole adapters (Figure 2 and 4).

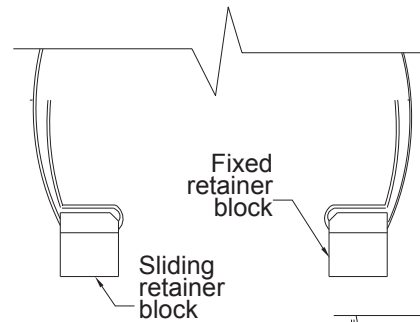


Figure 3

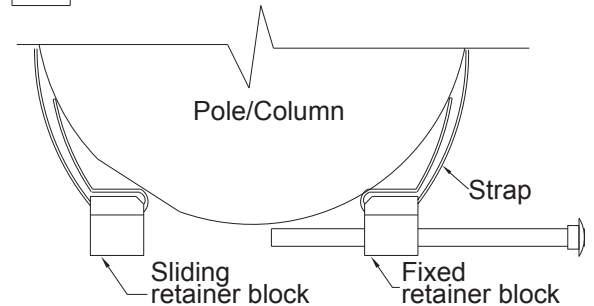


Figure 4

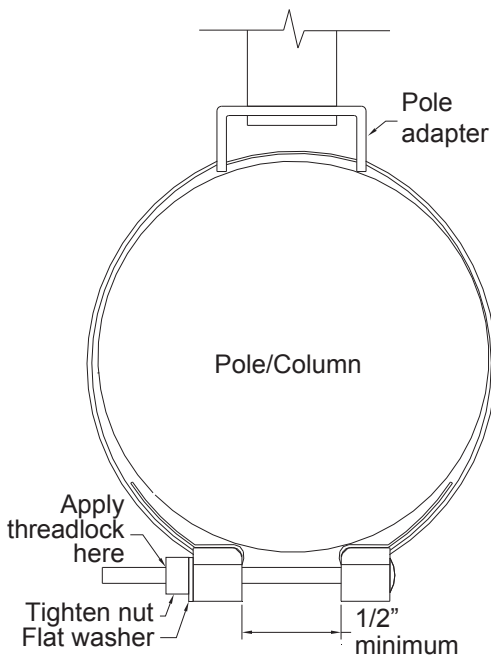


Figure 5

Step 7: Tighten the carriage bolt assembly until all slack has been removed from the fully loaded assembly. Retainer blocks must have a minimum of 1/2" gap after fully tighten. Do not over tighten (Figure 5).

Single Speaker Mount

Step 8: Attach a Speaker Mount to the Arm

Attach the selected mount's center hole to the selected extension arm's hole using the included 1/2-13 x 3.5" or 4.5" long hex bolt, split lock washer, fender washer, friction washer, and Nyloc nut. Length of bolts to use depends on the type of mounts being installed. Make sure the friction washer is placed in between the arm and the mount (Figure 6). Rotate mounts/speaker assembly to desired angle then tighten bolts permanently.

Notes: Holes on extension arm are 24", 21" and 18" from pole adapter.

Step 9: Install and Aim Speaker(s)

Following the instructions of the mount, install and aim loudspeaker then tighten hardware and angles permanently.

Step 10: Install End Caps

After installation, cover the end of the arm with the provided 2 x 2 end cap. Trim end caps if necessary to clear bolts head and washers.

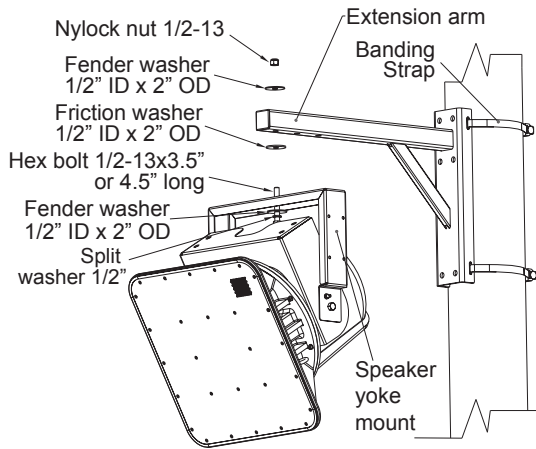


Figure 6

Step 11: Install Safety Cable

Secure a safety cable to the pole or column and then attach the other end of the safety cable to the speaker to bypass the mounting system.

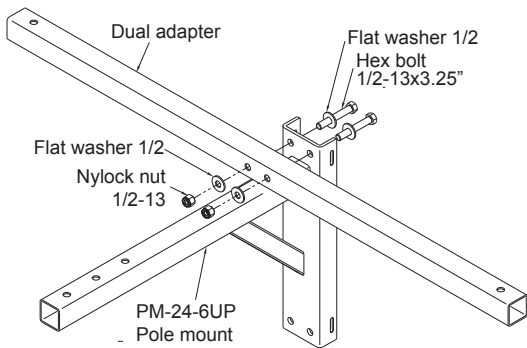
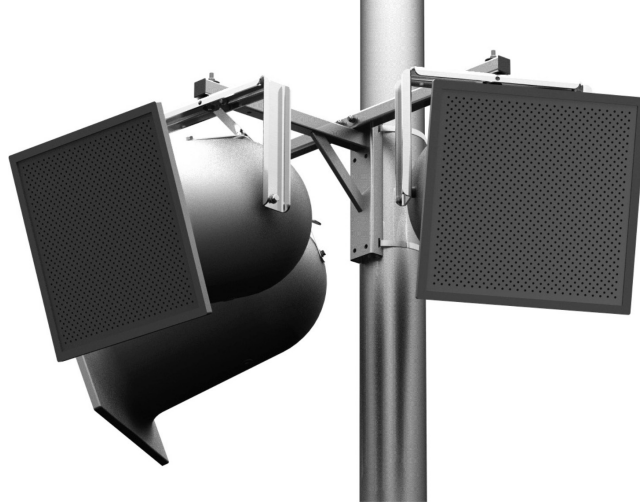


Figure 7

Triple Speaker Mounts

Step 12: Install Dual Adapter

Install dual adapter to the two holes above extension arm or in between the extension arm and the support brace using the hex bolt, flat washer and nyloc nut provided with the dual adapter kit (Figure 7 and 8).

Note: Install dual adapter to pole mount before installing to poles or columns

Step 13: Install pole mount and dual adapter assembly to poles or columns (Refer to step 1-7).

Step 14: Install the selected speaker mounts on the pole mount's extension arm and at the ends of the dual adapter using the hex bolts, flat washer, friction washer, split washer and nyloc nut provided with the pole mount and the dual adapter (Figure 9).

Note: Make sure speakers mounted on both ends of the dual adapter are of the same weights or with in the same weights.

Step 15: Install safety cable secure a safety cable to the pole or column, and then attach the other end of the safety cables to the speakers to bypass the mounting system.

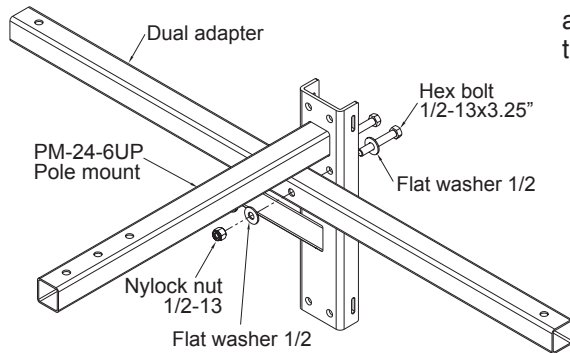


Figure 8

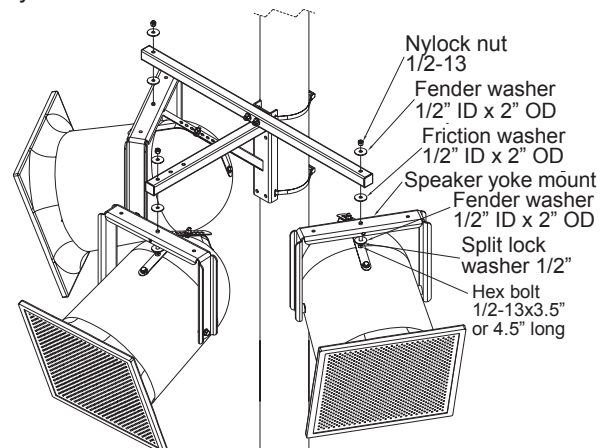


Figure 9

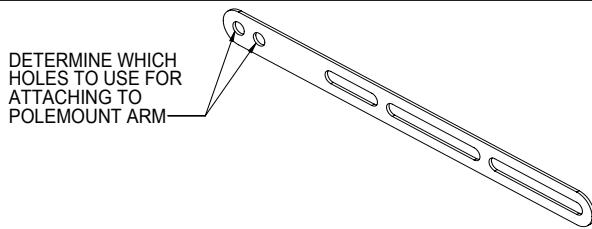


Figure 10

Step 15: Attach Panloc Bracket

Position the panlock bracket on the polemount and U-bracket to determine which hole to use. If the hole on the U-bracket does not line up on the slots of the panlock bracket, use the next hole on the end (Figure 10).

Step 16:

Attach the panlock bracket to the polemount arm's hole, preferably to the farthest hole from the edge using the provided 1/2-13x3" bolts, flat washers and nyloc nut. Do not tighten (Figure 11).

Step 17:

Align the slotted end of the panlock bracket to a hole or slot on the u-bracket. Use the farthest hole as much as possible to get the most leverage. Use the provided the 3/8-16 bolts, washers and nuts to secure the panlock bracket to the U-bracket (Figure 12).

Step 18:

Tighten the bolts and nuts to permanently secure the panlock bracket.

Step 19:

Install safety cable secure a safety cable to the pole or column, and then attach the other end of the safety cables to the speakers to bypass the mounting system.

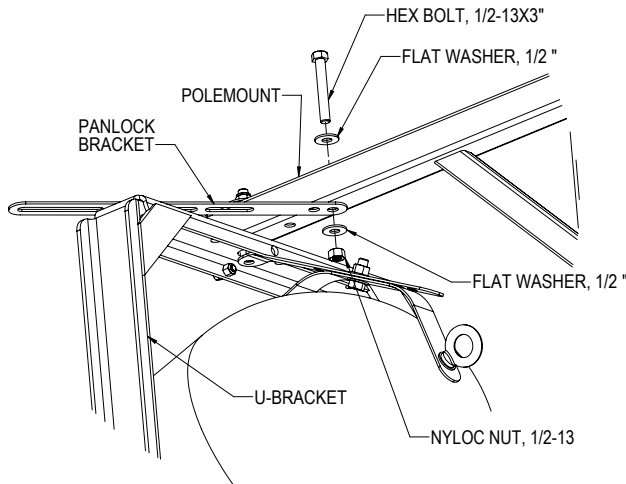


Figure 11

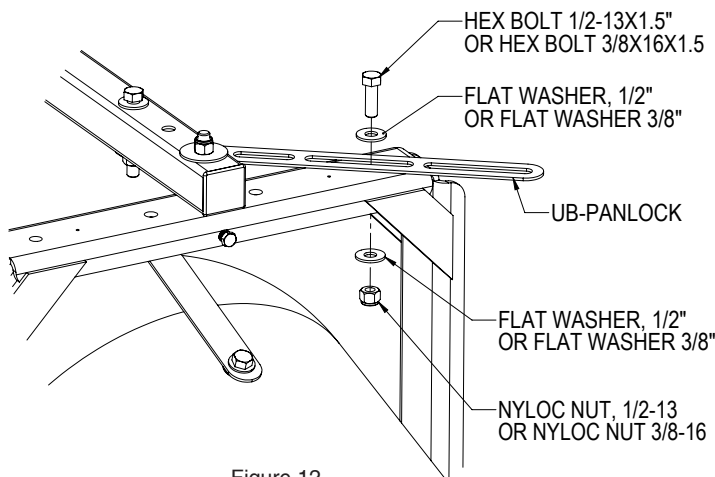


Figure 12