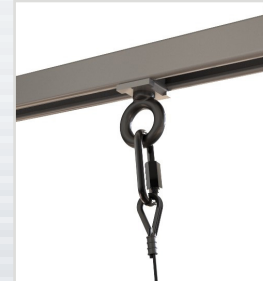




Adaptive Technologies RK-4C is perfect for suspending subwoofers overhead from channel strut, beam clamps and truss clamps. Four adjustable wire rope assemblies make flying subwoofers simple and safe. Each of the four adjustable wire ropes can be adjusted from 1 to 96 inches in length making this the perfect tool when suspension height is unpredictable.



Cable Assembly X4



Fixed End



Adjustable End

### OPTIONAL ACCESSORIES:

- ▶ See Beam Clamp datasheet
- ▶ See Truss Clamp datasheet
- ▶ See OSRV-1800 Hang Point

### SPECIFICATIONS:

**Materials:** Stainless Steel Wire Rope

**Finish:** Black

**WLL:** 880 lb / 400 Kg

**Design Factor:** 5:1

*\*WLL = Working Load Limit*



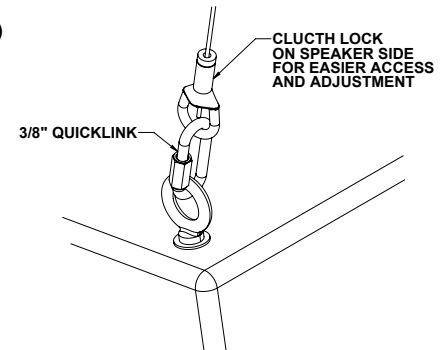
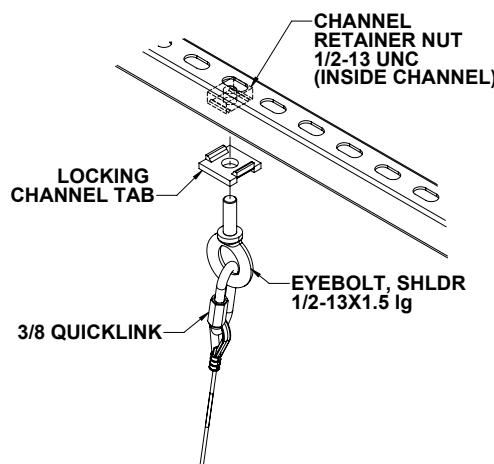
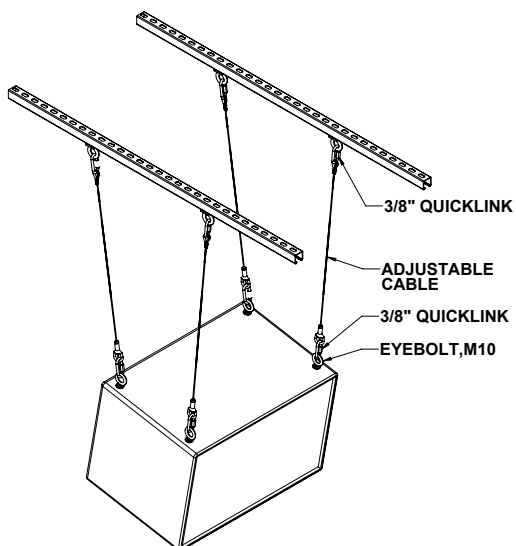
MADE IN USA



Rated for indoor use.

### PACKAGE CONTENTS:

- 4 pcs: Cable Assy / 8ft long
- 4 pcs: Clutch Lock Assemblies
- 4 pcs: EB-500 Eyebolts for Strut
- 4 pcs: EB-M10 Eyebolts for Speaker
- 8 pcs: 3/8" Quick Links
- 4 pcs: Channel Retainer Nut
- 4 pcs: Outer Locking Channel Tab
- 1 pc: Thread Lock .5 ml



### ALWAYS INSTALL SAFETY CABLES

**WARNING:** Mounting and/or suspension of equipment requires experienced professionals. Improperly installed equipment can result in property damage, personal injury and/or liability to the installing contractor.