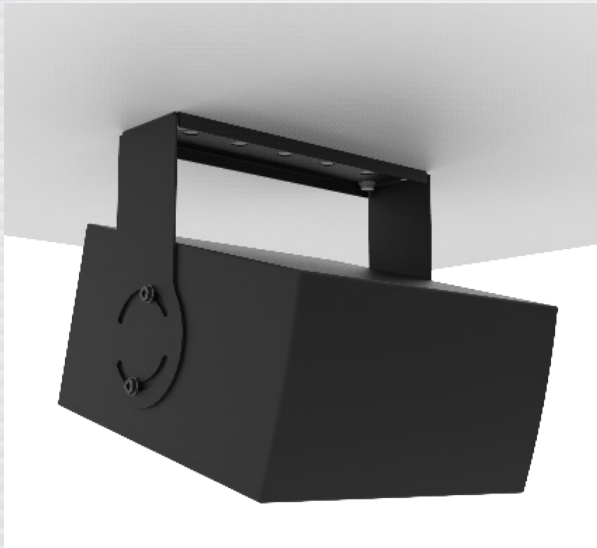


UB-705

20 lb. WLL

JBL LSR 705P & 705i U-BRACKET ASSEMBLY

UB-SERIES

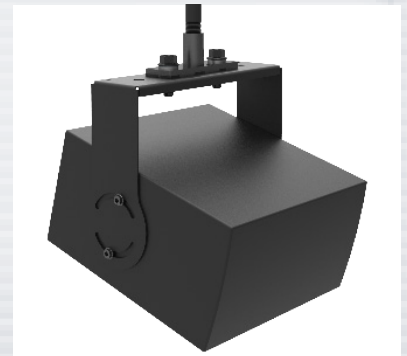


Direct Mounted to Ceiling or Wall

Adaptives UB-705 U-Bracket supports the JBL models LSR 705P and LSR 705i and provides 100° of tilt functionality. It's mounting hole pattern allows it to either be directly mounted to the wall and more options can be mounted to a number of other Adaptive ceiling attachments.



Ceiling Mounted with MM-3RDX-18



Ceiling Mounted with MP-500NPT-TA

STANDARD FEATURES:

- ▶ Accommodates JBL LSR 705P and LSR 705i loudspeakers
- ▶ Provides 100° tilt functionality
- ▶ Adapts to multiple overhead attachments

OPTIONAL ACCESSORIES:

- ▶ UB-3RDX-60
- ▶ MP-500NPT-TA
- ▶ Safety Cable Kits (see data sheet)

SPECIFICATIONS:

Materials: Structural Steel Alloy
Tilt: 100 degrees
Finish: Powder Coat
Color: Black
WLL: 20 lb. / 9 Kg.
Design Factor: 5:1
Pack Count: 1 / carton

*WLL = Working Load Limit

PACKAGE CONTENTS:

1 pc U-Bracket
1 pc Hardware



UB-705-JBL Dimensions

DIMENSIONS:

