

UB-AM7215-SS

JBL AM7215 Series U-Bracket

Installation Instructions

The UB-AM7215-SS U-Bracket is a Stainless Steel mounting bracket that attaches one JBL AM7215 series loudspeaker to a wall, deck, ceiling, or balcony and provides a one axis aiming feature.

Warning:

Mounting and/or rigging loudspeakers requires experienced professionals. ***Improperly installed loudspeakers can result in property damage, personal injury, death and/or liability to the installing contractor.***

Note to Contractor: Due to the wide variety of wall structures, materials and methods, the contractor should exercise good judgment in selecting the proper mounting area and hardware. Do not rely on drywall, acoustic tiles, etc. to support the weight of any loudspeaker.

To assure a trouble free installation, read through and follow these instructions carefully before beginning. If you have doubts about the integrity of the structure you are mounting to, or you are not sure about the proper hardware to use, consult a structural and/or hardware specialist. The structure should be capable of supporting 5 to 10 times the actual weight of the speaker. The use of a back up safety system, such as a safety cable, is highly recommended. Standard safety cables are available from stock.

Contents:	U-Bracket Speaker Mount	1 pc.
	Instruction Sheet	1 pc.
	Hardware kit	1 pc.

Step 1: Place the U-Bracket over the speaker cabinet to be sure you have the correct mount. Sound isolation gaskets are placed between the loudspeaker cabinet and the U-Bracket's arms. Also, compare the included assembly hardware with that of the loudspeaker. If threaded mounting points are not provided by the manufacturer contact them for the correct mounting procedure.

Step 2: Select the mounting area where the loudspeaker will be installed. Attach the U-Bracket to the wall or ceiling using the holes or the slots on the base of the U-Bracket. Use the appropriate hardware for the application (if in doubt, consult a local hardware specialist). Tighten permanently.

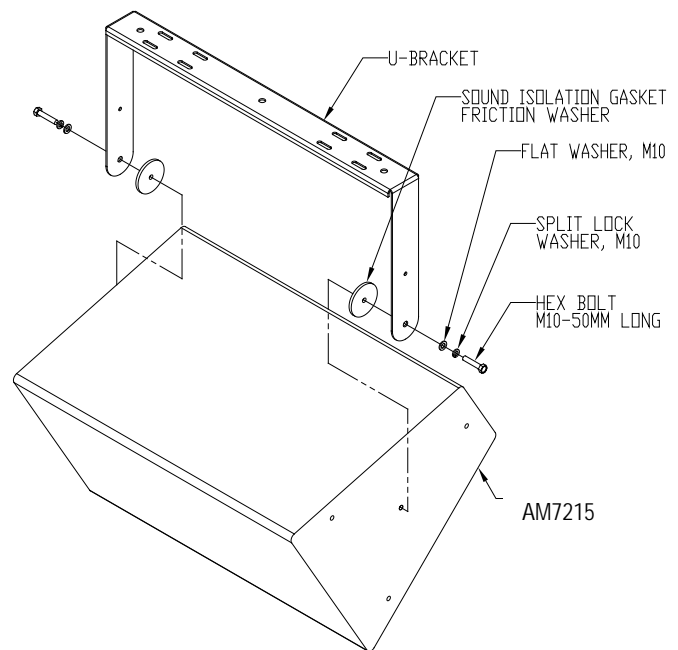
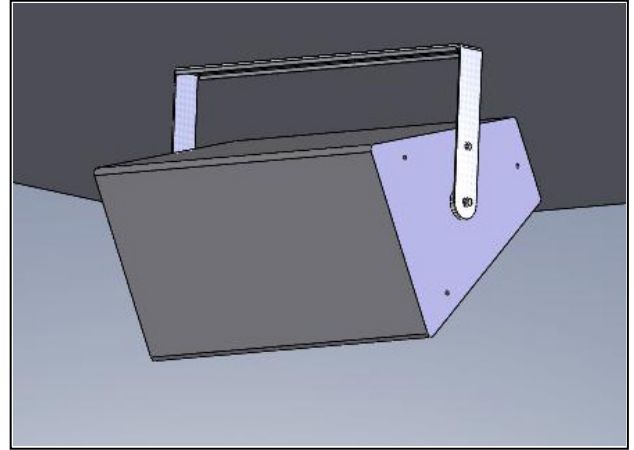


Figure 1

Step 3: Place the speaker between the U-Bracket's arms. Insert a hex bolt, flat washer and split lock washer (must match the speaker's thread) through the hole in the arms with the sound isolation gasket. Thread the bolt into the loudspeaker. Repeat on the other side of the speaker (Figure 1). Do not fully tighten yet.

Step 4: Rotate the loudspeaker into the desired direction then tighten the side bolts permanently. To permanently set the speaker angle, insert the included 1/4" lag bolts through the unused arm hole and into the loudspeaker cabinet (Figure 2).

Step 5: **Recommendation: Safety Cable**
Install a safety cable to the U-Bracket and to the structurally load rated mounting surface.

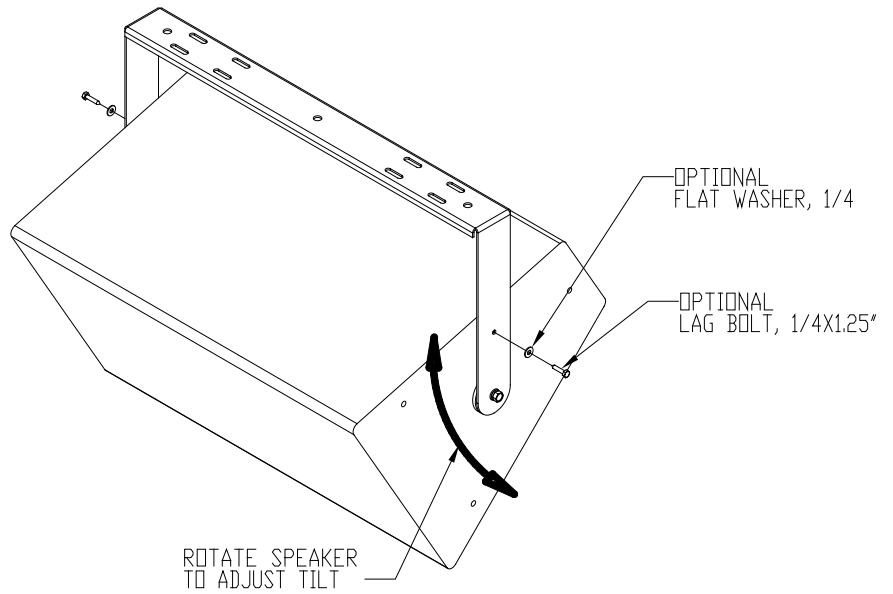


Figure 2