

# Metric Hardware Kit

## Loudspeaker Wall Mount Installation Instructions

This hardware kit is for attaching loudspeakers with metric inserts to Allen products U-Brackets and Adjustable U-Brackets.

### Warning:

Mounting and/or rigging loudspeakers requires experienced professionals. ***Improperly installed loudspeakers can result in property damage, personal injury, death and/or liability to the installing contractor.***

**Note to Contractor:** Due to the wide variety of wall structures, materials and methods, these instructions assume that the contractor will exercise good judgment in selecting the proper hardware.

### Contents:

#### UB-M06-BK: M6 hardware

Qty.	Description
2 pcs.	M6x1x 50mm bolt (silver)
2 pcs.	Flat washer, black
2 pcs.	Split Lock washer, black

#### UB-M08-BK: M8 hardware

Qty.	Description
2 pcs.	M8x1.25x50mm bolt (silver)
2 pcs.	Flat washer, black
2 pcs.	Split lock washer, black

#### UB-N10-BK: M10 Hardware

Qty.	Description
2 pcs.	M10x1.5x50mm (silver)
2 pcs.	Flat washer, black
2 pcs.	Split lock washer, black

**Step 1.** Discard the bolts, flat washers and lock washers that came with the U-Bracket. Replace them with the new metric hardware kit.

**Step 2.** Install the metric hardware through the bracket and into the speaker as shown in Figure 1.

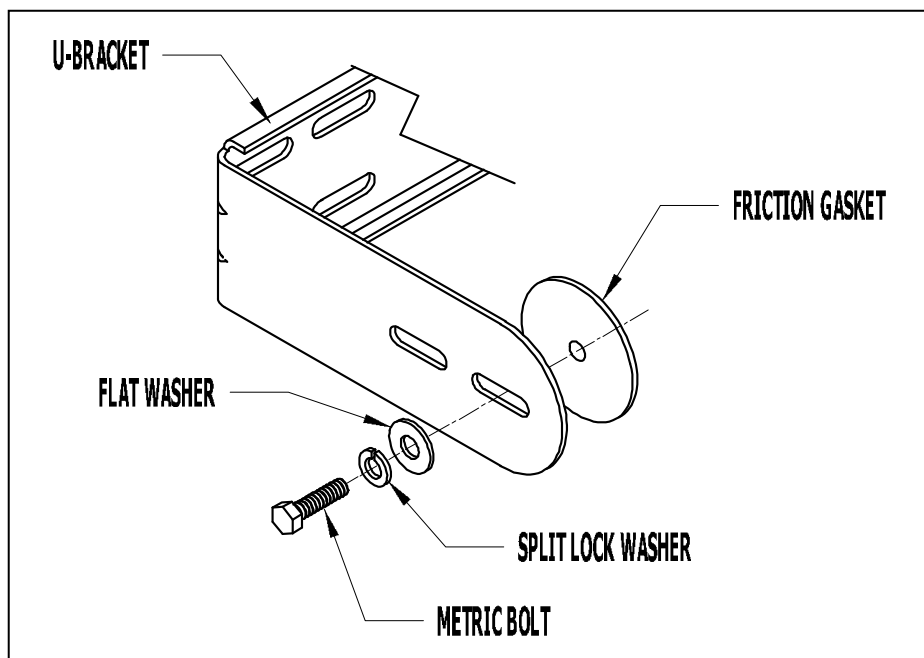


Figure 1