

Wall Stud Adapter Plate

Installation Instructions

The WP-Series Wall Stud Adapter Plate bridges standard construction studs for a more solid and secure mounting surface. It comes in two models; **WP-16** for adapting to wall structures with 16" stud centers and **WP-24** for 24" stud centers.

Warning:

Mounting and/or rigging loudspeakers requires experienced professionals. ***Improperly installed loudspeakers can result in property damage, personal injury, death and/or liability to the installing contractor.***

Caution:

Due to the wide variety of wall structures, materials and mounting methods, these instructions assume that the installing contractor will exercise good judgment in selecting the proper mounting area and hardware.

To assure a trouble free installation, read through and follow these instructions carefully before beginning. If you have doubts about the integrity of the structure you are mounting to or you are not sure about the proper hardware to use, consult a structural and/or hardware specialist.

Package Contents: 1 pc. Wall Stud Adapter Plate
1 pcs. Hardware Kit

- Step 1.** Locate and determine the stud spacing of the wall where the Wall Stud Adapter Plate is going to be mounted.
- Step 2.** Align the side holes of the Wall Stud Adapter Plate over the wall studs then mark where the Wall stud Adapter Plate will be mounted. Pre-drill the marked area making sure the bit hits the center of the stud.
- Step 3.** Mount the Wall Stud Adapter Plate to the wall using the recommended mounting hardware (not included). Make sure the **"THIS END UP"** label's arrow points towards the ceiling (Figure 1).
- Step 4.** **Mount Wall Arm to Wall Stud Adapter Plate:**
Refer to SAS-100-WM, SAS-100-20 or SA-2027-WM instruction sheet.

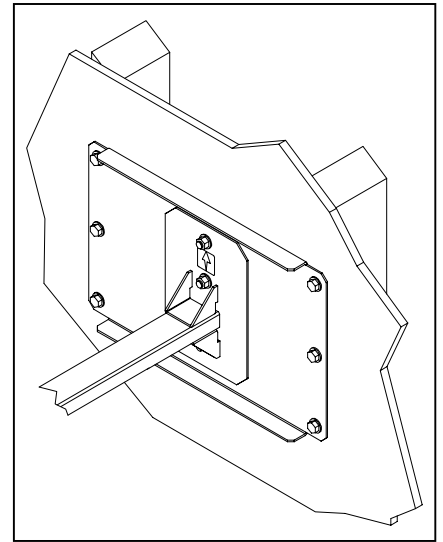


Figure 1

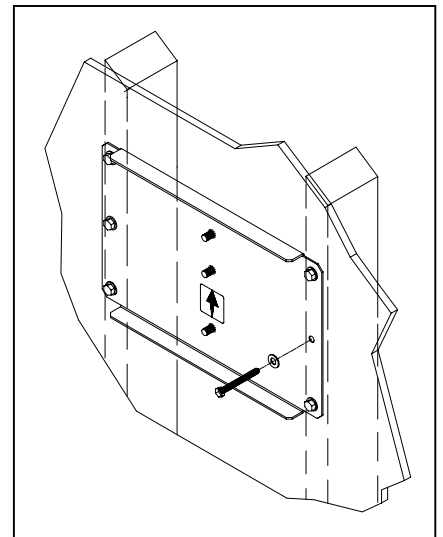


Figure 2