

# YM-R6

# OUTDOOR

## COMMUNITY BASSHORN YOKE MOUNT

## R6 -Model Specific



The YM-R6 ground supported yoke mount supports and aims the Community R6 stadium horn from ground and roof based locations.

This assembly comes in two weatherized components, the inner yoke which anchors to the speaker and the outer mountable frame, from which the yoke assembly rotates within, up to 45° up and 15° down and locks into position.



### STANDARD FEATURES:

- ▶ Mounts R6 Model Bass Horns
- ▶ 45° tilt functionality up and 15° down
- ▶ Stadium and other long throw applications
- ▶ Secures to Ceilings and Deck
- ▶ Weatherized for outdoor use

### SPECIFICATIONS:

**Material:** Structural Steel  
**Finish:** Zinc Primer Powder Coat  
**Color:** Black  
**Pack count:** 1 unit/carton  
**WLL:** 400 lb / 181 kg  
**Weight:** 500 lb / 226.75 kg

### PACKAGE CONTENTS:

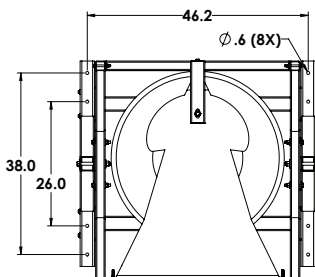
- 2 Base Stand Assy
- 1 Spine Assy
- 2 Side Bracket Assy
- 1 Frame Hardware Kit
- 1 Speaker Hardware Kit



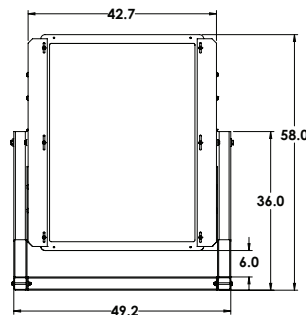
Rated for outdoor use.

### DIMENSIONS:

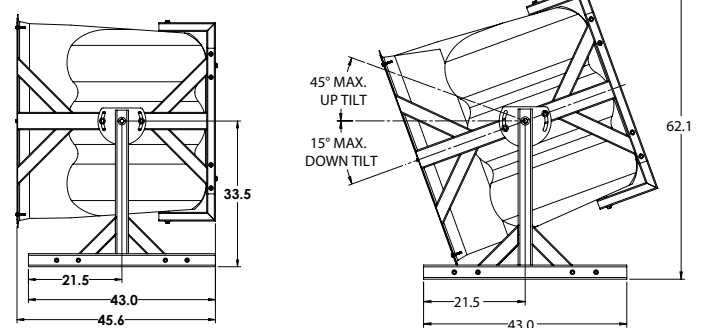
TOP VIEW



FRONT VIEW



SIDE VIEW



Adaptive Technologies Group  
1635 E. Burnett Street | Signal Hill, CA 90755 USA  
Ph: 562.424.1100 | Fax: 562.424.3520  
www.adapttechgroup.com



### ALWAYS INSTALL SAFETY CABLES

**WARNING:** Mounting and/or suspension of audio and video equipment requires experienced professionals. Improperly installed loudspeakers can result in property damage, personal injury and/or liability to the installing contractor.