

AMFS-1X2-SB

Stacking Bracket

Installation Guide for AMFS-1X2-SB

Thank you for choosing the AMFS-1X2-SB Stacking Bracket. The AMFS-1x2-SB is an accessory hardware to stack 2 or more tiers of loudspeakers that uses the AMFS-1x2 series truss module.

Important: Rigging overhead system requires professional experience. **Improperly installed equipment can result in property damage, personal injury, death and/or liability to the installing contractor.** Do not suspend if in doubt about the integrity of the structure.

Caution: Due to the wide variety of structures, environments, materials and rigging methods, these instructions assume that the installing contractor will exercise good judgment in selecting the proper mounting area and hardware.

Follow these instructions for the most efficient and safest mounting results. Do not exceed the working load limit of 427lbs/194 kg.

Package Contents:

- 1 pc. AMFS-1x2-SB
- 1 pc. Instruction sheet
- 2 pcs Nylock Nut, 3/8-16,G8
- 4 pcs. Flat washer, 3/8",USS
- 2 pc Hex bolt, 3/8-16x3",G8

Step 1. Install the AMFS-1x2-SB Stacking Bracket

For Permanent Installation:

Install the stacking bracket to one of the side holes of the bottom 1x2 truss using the included 3/8 X 3" hex bolt and washers and nut. Install another stacking bracket to the opposite side tube of the bottom truss module. Hole placements to the truss module will affect the tilt angle of the speaker. Tighten permanently (Figure 1).

Step 2.

Add the second tier to the bottom of the upper tier speakers. Match the same holes on the second tier as on the first tier of speakers. Secure the lower legs of the stacking bracket to the top truss module of the second tier using the included 3/8 X 3" hex bolt and washers and nut (Figure 1).

For Temporary Installation:

Install the stacking bracket to one of the side holes of the bottom 1x2 truss using 3/8x2.5" long quick release pin (sold separately). Install another stacking bracket to the opposite side tube of the bottom truss module. Hole placements to the truss module will affect the tilt angle of the speaker. Make sure the quick release pin goes all the way through the tube and locks on the stacking bracket (Figure 2).

Step 3. Suspend Speaker cluster:

Add the second tier to the bottom of the upper tier speakers. Match the same holes on the second tier as on the first tier of speakers. Secure the lower legs of the stacking bracket to the top truss module of the second tier using 3/8x2.5" long quick release pin (sold separately). Hole placements to the truss module will affect the tilt angle of the speaker. Make sure the quick release pin goes all the way through the tube and locks on the stacking bracket (Figure 2).

Step 4. Check all connections before suspending the speaker cluster.

©2015 Adaptive Technologies Signal Hill, CA 90755 USA (562) 424-1100

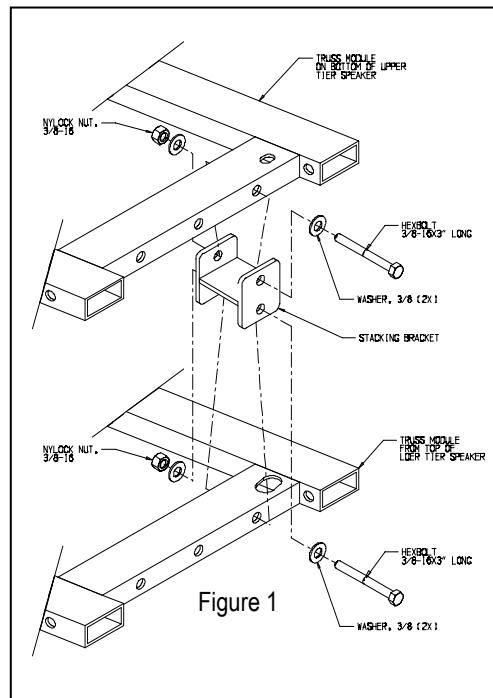
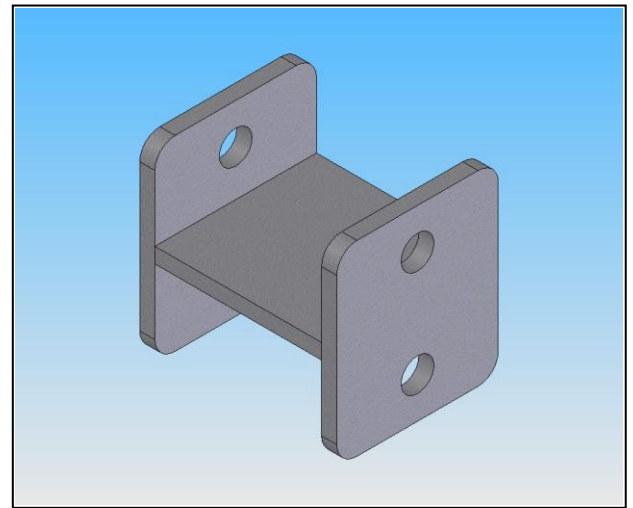


Figure 1

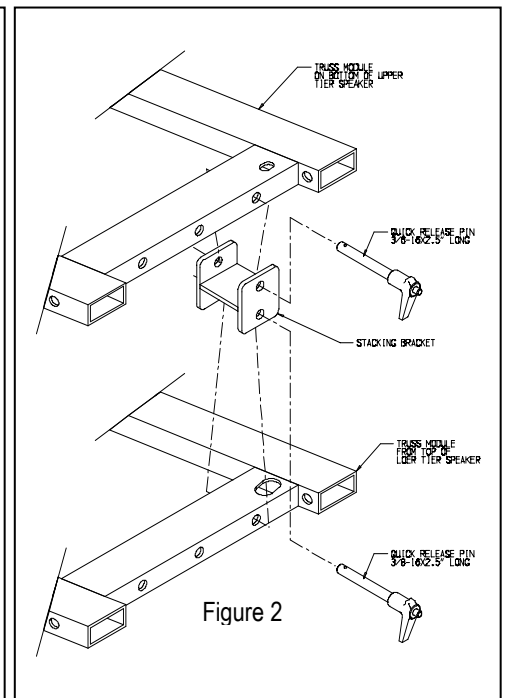


Figure 2