

# BC-2824-9

# 180 lb WLL

## LOW PROFILE OFFSET BEAM CLAMP

## BeamWare®



Beam Clamp & Isolator Supporting a Grid

### BEAM CLAMP

Standard, pre-engineered channel style beam clamps anchor to a building's structure and offer a safe and predictable method of rigging grids and other objects from overhead. This hook style beam clamp is adjustable and mounts flush underneath the building's I-Beam's flange. Use the BC-2824-series hook style beam clamp to provide a load rated overhead rigging point from structural I-Beams with widths ranging between 2" and 6", 6" and 9" or 9" and 12".

This beam clamp model provides a fast, easy and safe way to rig direct loads, bridles and hitches from overhead and a hand wrench is all that is required to secure this clamp. The beam flanges must be parallel to the floor.

**Star Grid**  
Compatible Component



I-Beam Clamp with Sound Isolator

### KEY FEATURES:

- ▶ For beam flange widths between 6" to 9"
- ▶ Accommodates 1/2" - 13 threaded rod.
- ▶ For overhead vertical suspension applications.

### OPTIONAL ACCESSORIES:

- ▶ See Threaded Rod [ROD-500-XXX](#)
- ▶ See Strut Accessories Datasheet
- ▶ See Sound Isolation [CG-SH-1-245-IH](#)

### SPECIFICATIONS:

**Material:** Structural Steel  
Grade B7 Threaded Rod

**Finish:** Bright Zinc

**Color:** Silver

**Design Factor:** 7:1

**WLL:** 178.5 lbs / 81.1 Kg

**Shipping Weight:** 1.25 lbs / .57 Kg

### PACKAGE CONTENTS:

**1 pc** Beam Clamp  
**6 pcs** Hex Nut, 1/2-13  
**1 pc** 12" All Threaded Rod

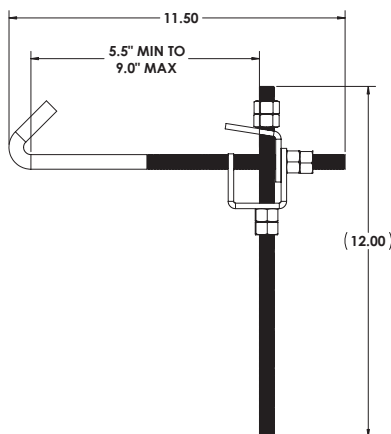


MADE IN USA

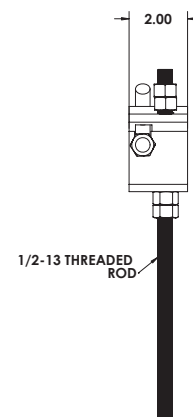


Rated for indoor use.

### Front View



### Side View



**Adaptive Technologies Group**  
1635 E. Burnett Street | Signal Hill, CA 90755 USA  
Ph: 562.424.1100 | Fax: 562.424.3520  
[www.adaptivetechgroup.com](http://www.adaptivetechgroup.com)



### ALWAYS INSTALL SAFETY CABLES

**WARNING:** Mounting and/or suspension of equipment requires experienced professionals. Improperly installed equipment can result in property damage, personal injury and/or liability to the installing contractor.