

BC3-7J

1130 lb WLL

SCISSOR STYLE BEAM CLAMP

BeamWare®



Eyebolt is sold separately.

SUSPENSION AND AIMING FOR TWO CABINETS

Creating suitable overhead structural suspension points for rigging systems can be difficult so using the building's own structure can provide more options for the installer. Standard, pre-engineered beam clamps attach to the building's beam structure and offer an easy, safe and predictable method of suspension.

This unique beam clamp actually gets stronger as more weight is applied.



STANDARD FEATURES:

- ▶ Scissor clamps stronger as the applied load is increased.
- ▶ Infinite width adjustments from 3" - 7"
- ▶ Accommodates 1/2"-13 threaded rod or eyebolt for suspension.
- ▶ All grade 8 hardware
- ▶ Ideal for permanent or temporary suspensions.

OPTIONAL ACCESSORIES:

- ▶ See Threaded Rod Datasheet
- ▶ See Strut Accessories Datasheet
- ▶ See Eyebolt Datasheet

* Not for human suspension

SPECIFICATIONS:

Part Number: BC3-7J

Materials: Stainless and Galvanized Steel Components

Width: 3" to 7" / 76mm to 178mm

Color: Grey

Design Factor: 5:1 ratio

Working Load: 1130 lb. / 514 Kg. WLL (Vertical)

45 DEG. MAX WL: 620 lb. / 295 Kg.

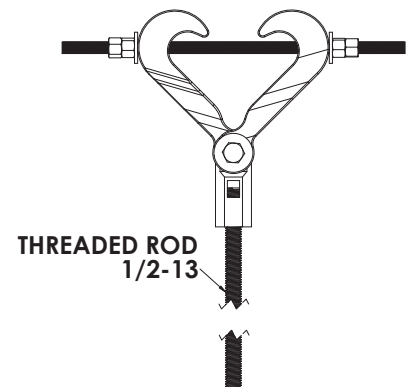
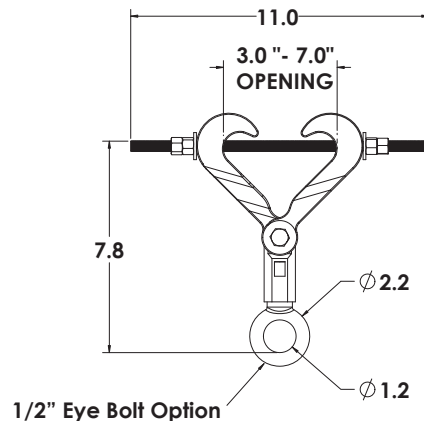
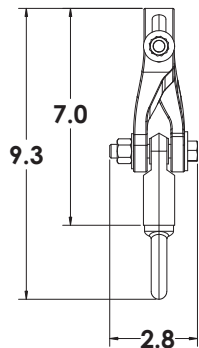
Do not side load beyond 45°



MADE IN USA



Rated for indoor use.



Adaptive Technologies Group
1635 E. Burnett Street | Signal Hill, CA 90755 USA
Ph: 562.424.1100 | Fax: 562.424.3520
www.adaptivetechgroup.com



ALWAYS INSTALL SAFETY CABLES

WARNING: Mounting and/or suspension of equipment requires experienced professionals. Improperly installed equipment can result in property damage, personal injury and/or liability to the installing contractor.