

BS3-60X9

STEEL BAND ROUND SLINGS

SPAN SET



Choker Suspension with Shackle

Steel band round slings are used to suspend objects such as loudspeakers and video walls from overhead lighting truss, structural beams and pipe. Its internal cord is constructed using galvanized steel aircraft cable wound in an endless configuration, which lends itself for high working loads and fire-safe installations. Its soft external fabric cover is easy to handle and protects the finish of suspended surfaces. Its black color blends in with theatrical applications.



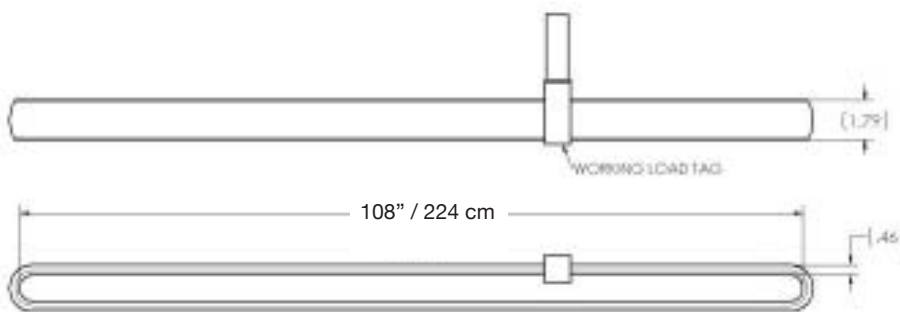
Steel Core Construction

FEATURES:

- ▶ Fabric Covering Protects Surfaces
- ▶ Internal Steel Banding - Fire Safe
- ▶ High Working Load

ACCESSORIES:

- ▶ Shackle Data Sheet SK Series
- ▶ End Link Data Sheet EL Series



SPECIFICATIONS:

Length: 9' Feet

Cover: Fabric

Color: Black

Design Factor: 5:1

Basket WL: 10,600 lb / 4818 Kg

Vertical WL: 5300 lb / 2409 Kg

Choker WL: 4240 lb / 1927 Kg



MADE IN USA



Rated for indoor use.



Basket



Vertical



Choker

Adaptive Technologies Group
1635 E. Burnett Street | Signal Hill, CA 90755 USA
Ph: 562.424.1100 | Fax: 562.424.3520
www.adaptivetechologiesgroup.com



ALWAYS INSTALL SAFETY CABLES

WARNING: Mounting and/or suspension of audio and video equipment requires experienced professionals. Improperly installed loudspeakers can result in property damage, personal injury and/or liability to the installing contractor.