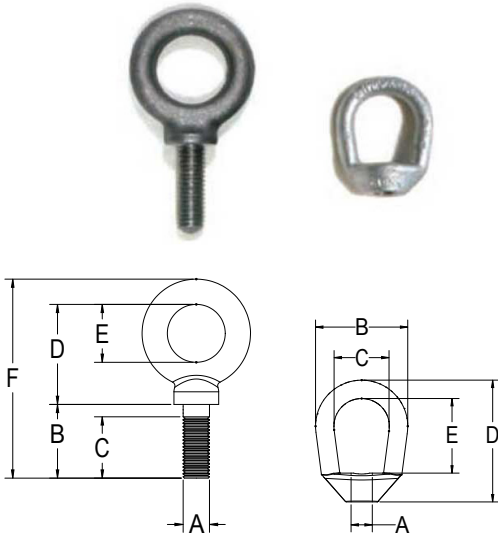


Eyebolts & Eyenuts

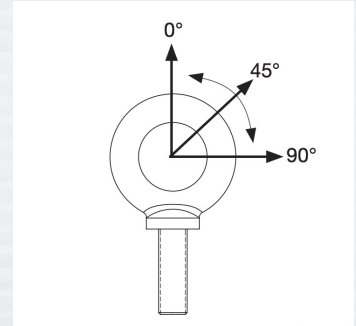
DROP FORGED STEEL

LOAD-RATED



Drop forged shoulder eyebolts and eyenuts provide very strong and predictable suspension points for overhead rigging systems. Forged components provide a consistent, safe and load rated fastener when reliability counts. These components are produced in the United States.

Load rating values are calculated with a 5:1 safety (design) factor. To calculate the approximate ultimate failure load, multiply the indicated working load limit (WLL) by five. Dimensions are approximate and will vary slightly between manufacturing runs. Color options include bright zinc plate or black zinc plate.



DROP FORGED SHOULDER EYEBOLTS AND EYENUTS DIMENSIONAL AND LOAD CHART

P/N	Color/Desc.	Thread	A	B	C	D	E	F	0°WLL	45°WLL	90°WLL
EB-025	Black Eyebolt	¼-20	¼"	1.0"	1.0"	1.2"	.80	2.39"	500/227	125/57	100/45
EB-025-S	Zinc Eyebolt	¼-20	¼"	1.0"	1.0"	1.2"	.80	2.39"	500/227	125/57	100/45
EB-315	Black Eyebolt	5/16-18	5/16"	1.125"	1.125"	1.35"	.90"	2.75"	900/409	225/102	180/82
EB-315-S	Zinc Eyebolt	5/16-18	5/16"	1.125"	1.125"	1.35"	.90"	2.75"	900/409	225/102	180/82
EB-375	Black Eyebolt	3/8-16	3/8"	1.25"	1.25"	1.6"	1.00"	3.20"	1400/636	350/175	280/127
EB-375-S	Zinc Eyebolt	3/8-16	3/8"	1.25"	1.25"	1.6"	1.00"	3.20"	1400/636	350/175	280/127
EB-375-2.5	Black Eyebolt	3/8-16	3/8"	2.5"	1.50"	1.56"	1.00"	4.7"	1200/545	300/136	276/125
EB-375-4.5	Black Eyebolt	3/8-16	3/8"	4.50"	2.0"	1.56"	1.00"	6.7"	1200/545	300/136	276/125
EB-500	Black Eyebolt	½-13	½"	1.50"	1.50"	1.9"	1.2"	3.9"	2600/1182	650/295	520/236
EB-500-S	Zinc Eyebolt	½-13	½"	1.50"	1.50"	1.9"	1.2"	3.9"	2600/1182	650/295	520/236
EB-500-5.5	Black Eyebolt	½-13	½"	5.5"	3.0"	1.7"	.98"	7.75"	2200/1000	550/250	440/200
EB-625	Zinc Eyebolt	5/8-11	5/8"	1.75"	1.75"	2.4"	1.38"	4.4"	4000/1818	1000/455	-

METRIC BOLTS

P/N	Color/Desc.	Thread	A	B	C	D	E	F	0°WLL	45°WLL	90°WLL
EB-M6	Black Eyebolt	M6X1	6"	25"	25"	29.2"	18.5	60.2	462/210	116/525	92/42
EB-M8	Black Eyebolt	M8X1.25	8"	32"	32"	40.4"	25.5	81.2	992/450	248/112	198/90
EB-M10	Black Eyebolt	M10X1.5	10"	35"	35"	48"	31	95	1628/740	407/185	326/148
EB-M10-18*	Black Eyebolt	M10X1.5	10"	18"	18"	35.2"	24.4	62.7	1628/740	407/185	326/148

EYENUTS

P/N	Color/Desc.	Thread	A	B	C	D	E	F	0°WLL	45°WLL	90°WLL
EN-315	Zinc Eyenut	5/16-18	5/16"	1.23"	.71"	1.7"	1.00"	-	840/382	-	-
EN-375	Zinc Eyenut	3/8-16	3/8"	1.60"	1.0"	2.1"	1.3"	-	1240/564	-	-
EN-500	Zinc Eyenut	½-13	½"	1.9"	1.2"	2.5"	1.4"	-	2240/1018	-	-
EN-625	Zinc Eyenut	5/8-11	5/8"	2.7"	1.4"	3.5"	2.1"	-	3600/1636	-	-

Adaptive Technologies Group
 1635 E. Burnett Street | Signal Hill, CA 90755 USA
 Ph: 562.424.1100 | Fax: 562.424.3520
 www.adaptivetechologiesgroup.com



ALWAYS INSTALL SAFETY CABLES

WARNING: Mounting and/or suspension of audio and video equipment requires experienced professionals. Improperly installed loudspeakers can result in property damage, personal injury and/or liability to the installing contractor.