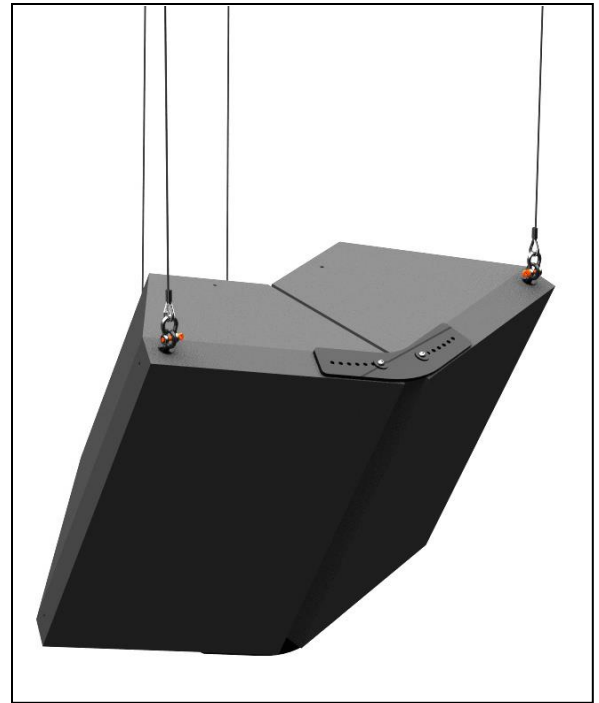


The FP-AX-2 planar array kit gives designers, contractors and audio consultants the ability to place two AX series speakers in a tight pack or splayed configurations. The FP-AX-2 Kit provides a method of flying a planar or line array while offering the capability of allowing cabinets to be adjusted relative to each other to find the optimum sound directivity. A series of holes are provided to easily adjust the splay or tilt angle from 40° to 70° at an increment of 2.5° between speakers.

Installing speakers must be performed by experienced professionals. If in doubt about the integrity of the structure you are mounting or suspending to or not sure about the proper hardware or method to use, consult a certified rigging company.

Package contents:

- 2 pcs Joiner Plate
- 2 pcs Rear Hinge
- 1 pc Hex bolt, 3/8-16x9"
- 1 pc Nylock nut, 3/8
- 2 pcs Eyebolt, 3/8-16x2.5
- 6 pcs Button head socket screw, 3/8-16x1.5
- 10 pcs Flat washer, 3/8
- 2 pcs Flat head screw, 3/8-16x1.5
- 2 pcs Eyebolt, 3/8-16x1.25



2 WIDE X 1 DEEP PALANAR ARRAY

CAUTION: PLEASE READ CAREFULLY BEFORE PROCEEDING

Due to the wide variety of building structures, materials and suspension methods, these instructions assume that the installing contractor/installer will exercise good judgment in selecting the proper mounting area and hardware. As a guide, the installation, when complete, should be capable of supporting at least 5 times the actual load. Follow building code requirements to safely suspend the speakers to the building structure

Note: Each speaker must always have a cable attached.

2 WIDE X 1 DEEP PLANAR ARRAY:

Step 1:

Flip both speakers so that the front is facing down. Lay the speaker side by side. Unscrew the existing speaker screw where the joiner plate will be installed. Discard the screws.

Step 2:

Remove the screws at the rear and side of the speakers where the rear hinge will be attached, discard screw (Figure 1).

Step 3: Install rear Hinge Assembly

Attach the left and right rear hinge on the rear of the speakers using the button head screw on the rear and the flat head screw on the side. Do not tighten yet (Figure 1).

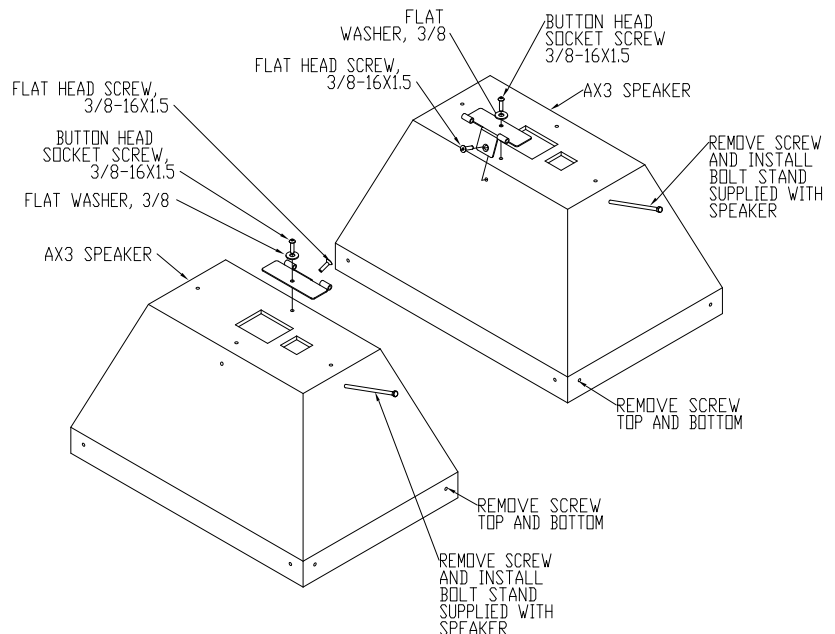


Figure 1

Step 4:

Remove the screws on the bottom rear insert and install the bolt stand (3/8 hex bolt supplied with speaker). The bolt will act as a leveler for the speaker during assembly (see EAW instruction sheet for the bolt stand installation) (Figure 1)

Step 5:

Slowly flip the speakers so that the grill of speakers are facing front. The bolt stand will act as a level the speaker to easily connect the rear hinge assembly. Gently move the speaker together until the rear hinge holes are aligned. Insert the 9" long hex bolt into the hole and secure with a nylock nut. Do not over tighten nut, the hinge assembly should be able to rotate easily (Figure 2). Make sure both hinges are in right mating orientation.

Step 6:

Flip the speaker assembly down again so that the grill is facing down.

Step 7: Install Joiner Plates

Determine the splay angle of the speaker and the holes to use on the joiner plates. Install the joiner plates on the two top front rigging inserts and the bottom rigging inserts using the corresponding holes for the appropriate splay angles. Use the provided 3/8 button head socket screws and washers (Figure 3).

Step 8: Install Eyebolts

For angles within 40°-55° (0° to 7.5° on each side of the plate), install the 2.5" long eyebolts and flat washers to the outside top inserts of the speaker (Figure 3). For angles between 57.5° to 70° (10°-15° on each side of the plate), use the 2.5" long eyebolts and flat washers on the inside inserts on top of the plate (Figure 4). Make sure the markings on the plates are facing out. Do not tighten screws; leave it snug until all plates are in position.

Step 8

When all plates are in position, tighten all screws permanently.

Step 9

Install two 3/8X1.25" long eyebolts and washers on the rear inserts of the speaker. For shallow angles, install the eyebolts on the top rear inserts (Figure 5). For steep angles install the eyebolts on the rear bottom inserts for pull back (Figure 3).

Step 10

Attach the load rated suspension cables or chains on the top eyebolts. Use the rear eyebolts for pull back points and to adjust the tilt angle of the speaker cluster assembly as shown in the main Illustration. The pull back can also be briddled to provide a single pull back cable point.

Step 11:

Remove the bolt stand and re-place the original screw.

Step 12:

Check all hardware connections before hoisting cluster.

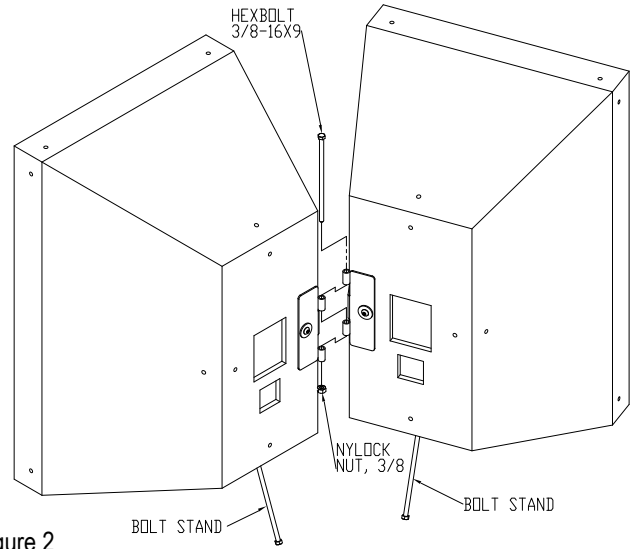


Figure 2

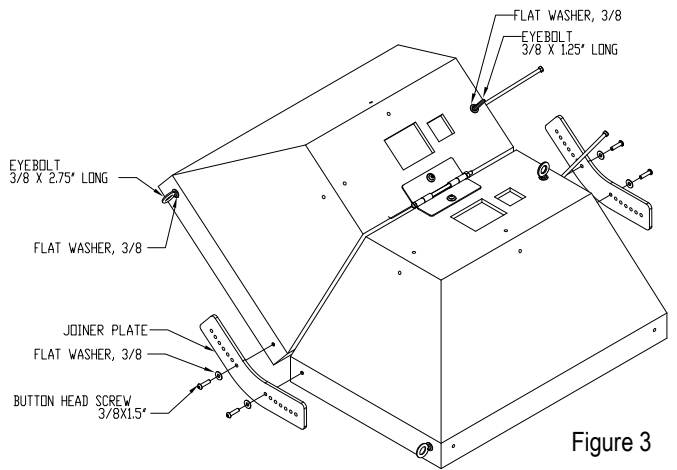


Figure 3

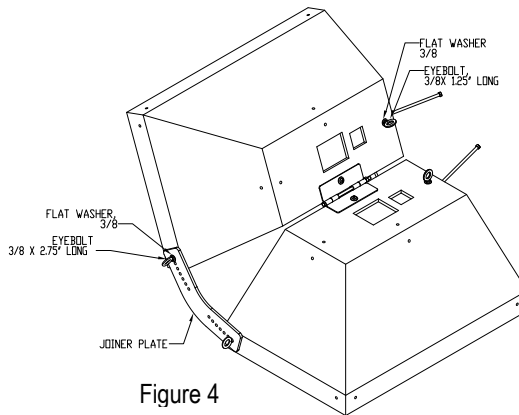


Figure 4

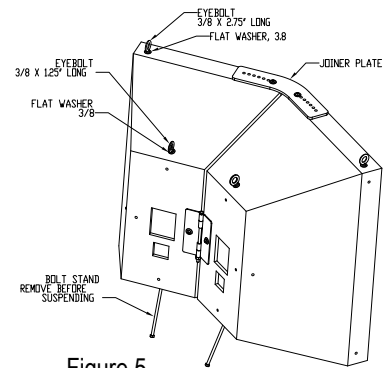


Figure 5

1 WIDE X 2 DEEP LINE ARRAY-HORIZONTAL:

Step 1-7 From 2 WIDE X 1 DEEP PLANAR ARRAY installations Instruction:

Step 8:

Remove the side screws of the decided upper speaker. Discard screws.

Step 9: Install Eyebolts

Install the 3/8 x 2.5" long eyebolts for primary suspension points on the side of the upper speaker (Figure 6)

Step 10: Install Pull back eyebolt

Install the Pull back eyebolt on the rear center insert of the lower speaker (Figure 6).

Step 11:

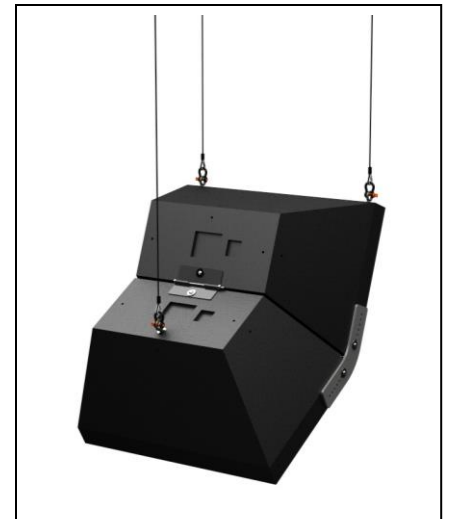
Remove the Bolt stand and re-place the screw into the insert.

Step 12:

Attach a load rated suspension cables or chains on the top eyebolts. Use the rear eyebolts for pull back points and to adjust the tilt angle of the speaker cluster assembly as shown in the illustration.

Step 13:

Check all hardware connections before hoisting speaker cluster.



1 WIDE X 2 DEEP LINE ARRAY-HORIZONTAL

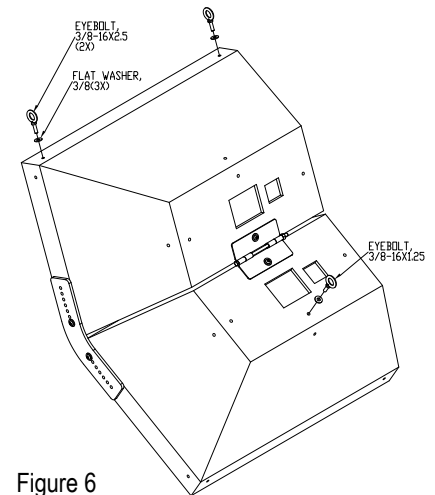


Figure 6

1 WIDE X 2 DEEP LINE ARRAY-VERTICAL

Step 1:

Flip both speakers so that the front is facing down. Lay the speaker side by side on its short sides. Unscrew the existing speaker screws where the joiner plate will be installed. Discard the screws.

Step 2:

Remove the screws at the rear and side of the speakers where the rear hinge will be attached, discard screw

Step 3: Install Rear Hinge Assembly

Attach the left and right rear hinge on the rear of the speakers using the button head screw on the rear and the flat head screw on the side. Do not tighten yet (Figure 7).

Step 4:

Remove the screws on the side rear insert and install the bolt stand (3/8 hex bolt supplied with speaker). The bolt will act as a leveler for the speaker during assembly (see EAW instruction sheet for the bolt stand installation) (Figure 7)



1 WIDE X 2 DEEP LINE ARRAY-VERTICAL

Step 5:

Slowly flip the speakers so that the grill of speakers is facing the front. The bolt stand will act as a level for the speaker to easily connect the rear hinge assembly. Slowly move the speaker together until the rear hinge holes are aligned. Insert the 9" long hex bolt into the hole and secure with a nylock nut. Do not over tighten nut, the hinge assembly should be able to rotate easily (Figure 8). Make sure both hinges are in right mating orientation.

Step 6: Install Joiner Plates

Determine the splay angle of the speaker and the holes to use on the joiner plates to achieve the appropriate splay angles. Install the joiner plates on the two top front rigging inserts using the provided 3/8 screws and washers. Do not fully tighten (Figure 8). Gently flip the speaker down again so that the grill is facing down. Install the other joiner plate

on the bottom rigging inserts using the same holes as the top joiner plate (Figure 9).

Step 7:

When all plates are in position, tighten all screws permanently.

Step 8: Install Eyebolts

Install the 3/8 x 2.5" long eyebolts for primary suspension points on the top of the designated upper speaker (Figure 8)

Step 9: Install Pull back eyebolt

Install the pull back eyebolt on the rear center insert of the lower speaker (Figure 8).

Step 10:

Remove the bolt stand and re-place the original speaker screws into the insert.

Step 11:

Attach a load rated suspension cables or chains on the two top eyebolts. Use the rear eyebolt for pull back point and to adjust the tilt angle of the speaker cluster assembly as shown in the 1 wide x 2 deep line array-vertical illustration.

Step 12:

Check all hardware connections before hoisting speaker cluster.

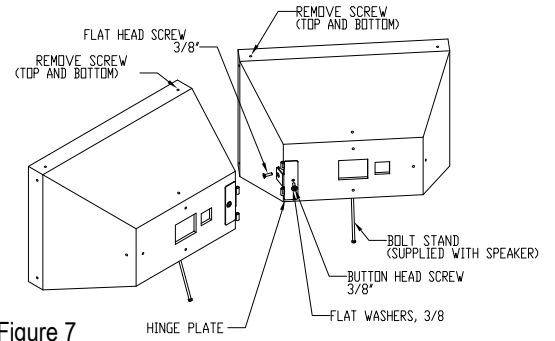


Figure 7

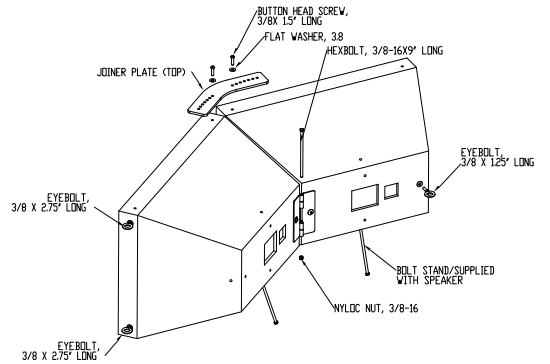


Figure 8

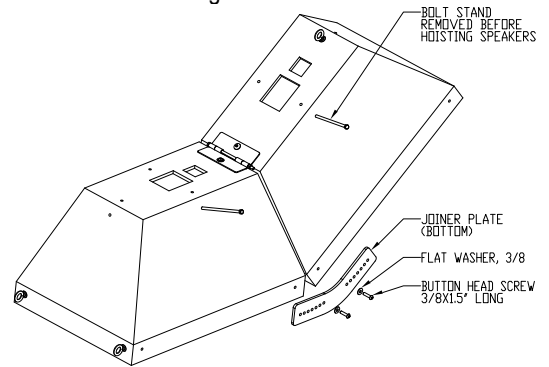


Figure 9