



Thank you for selecting the MultiMount MM-016 speaker mount. This product permanently mounts and aims up to 25lbs./13 kg. loudspeakers to wall and ceiling structures. The MultiMount's independent pan and tilt features allow sound to be aimed and re-aimed quickly and precisely. Its versatile adapter plate accommodates most speaker manufacturer's mounting hole patterns.

Note to installers

Due to the wide variety of wall structures, materials and mounting methods, these instructions assume that the installing contractor will exercise proper judgment in selecting the mounting area and hardware.

As a guide, the installation, when complete should be capable of supporting 5 to 10 times the actual applied load. Also, always use a back up safety system such as a safety cable.

To assure a trouble free installation, read through and follow these instructions carefully before beginning. If you have doubts about the integrity of the structure you are mounting to or you are not sure about the proper hardware to use, consult a structural and/or hardware specialist.

Be sure that all of the following items are included in this kit before proceeding:

- | | |
|--------------------------|-------------------------------------|
| 1 pc Wall mounting plate | 1 pc Speaker adapter plate assembly |
| 1 pc Hardware kit | 1 pc Instruction sheet |

Note: Screws and washers to attach speaker to adapter plate are not included

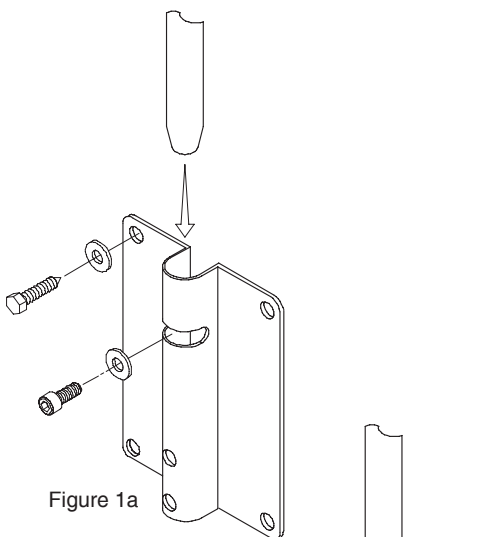


Figure 1a

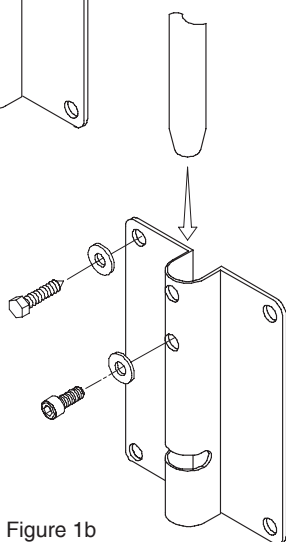


Figure 1b

Install wall mounting plate

Step 1: With Pan Angle Option

To enable the pan angle option, attach the wall mounting plate to the wall with the open center slot towards the ceiling using the appropriate hardware for the wall structure (Figure 1a).

Step 1: Without pan angle option

To disable the pan angle option, attach the wall mounting plate to the wall with the open center slot towards the floor using the appropriate hardware for the wall structure (Figure 1b).

Select speaker orientation

Step 2: Vertical Orientation

Attach the speaker adapter plate assembly to the appropriate mounting holes of the speaker using the manufacturer's suggested screws and washers. Tighten screws permanently (Figure 2).

Step 2: Horizontal Orientation

Detach the two socket head screws of the adapter plate from the support arm using a 3/16" allen hex wrench (Figure 5), Re-attach the support arm to the shorter tabs of the adapter plate with the included star washer and socket screws. Place the star washers in between the pivot rod and the tab of the adapter plate. **The sharp edges of the star washer must face the tab of the adapter plate** (Figure 3a). Do not tighten yet.

Attach the speaker adapter plate to the appropriate mounting holes of the speaker using the manufacturer's suggested screws and washers. Tighten screws permanently (Figure 3b).

Vertical Orientation

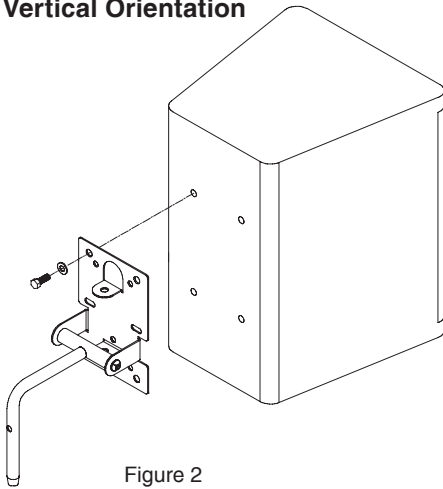


Figure 2

Step 3: Lift the assembled speaker with the support arm and insert the support arm into the top of the wall mounting plate. Line up the threaded hole of the support arm with the open slot for pan angle installation (*Figure 1a*) or to the second barrel hole for no pan angle installation (*Figure 1b*) of the wall mounting plate. Install the included socket screw and flat washer until snug.

Step 4: Pan Angle Adjustment

Loosen socket screw—do not remove (*Figure 4b*). Rotate the speaker horizontally until the speaker is aimed into the desired direction then tighten the socket screw at the mounting plate permanently (*Figure 4a and 4b*).

Step 5: Tilt Angle Adjustment

Loosen socket tilt screw—do not remove (*Figure 5*). Tilt the speaker to the desired tilt angle then retighten the side socket tilt screws of the speaker adapter plate. Be sure that the screws have been tightened permanently before releasing the weight of the speaker.

If the tilt angle needs to be adjusted, **do not pull on the speaker**, rather repeat step 5.

Step 6: Recommendation—Install Safety Cable

Attach a safety cable (sold separately) to the mounting surface (Must be able to support at least five times the weight of the speaker), then attach the other end of the safety cable to the speaker. If no attachment is provided on speaker, consult speaker manufacturer for advice on best attachment point and method.

Horizontal Orientation

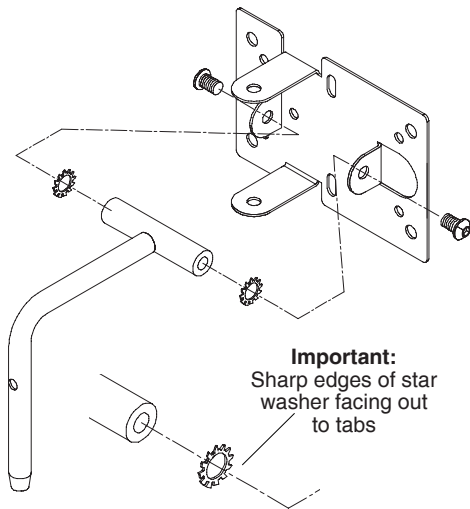


Figure 3a

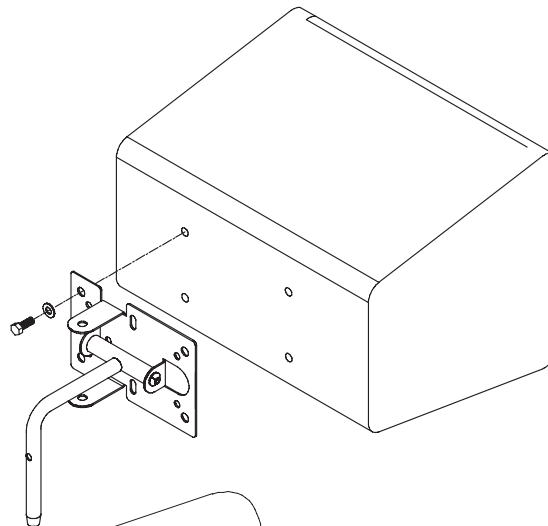


Figure 3b

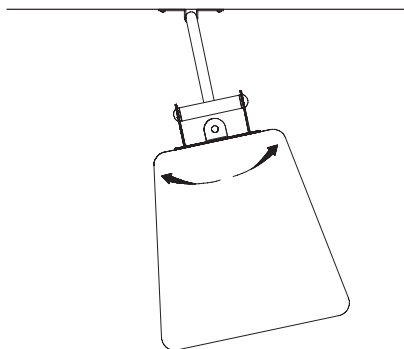


Figure 4a

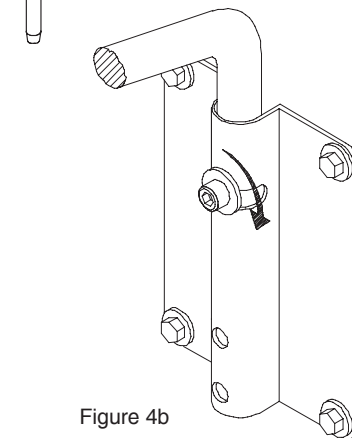


Figure 4b

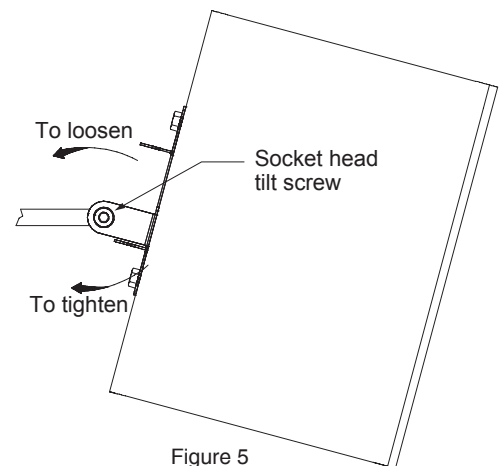


Figure 5