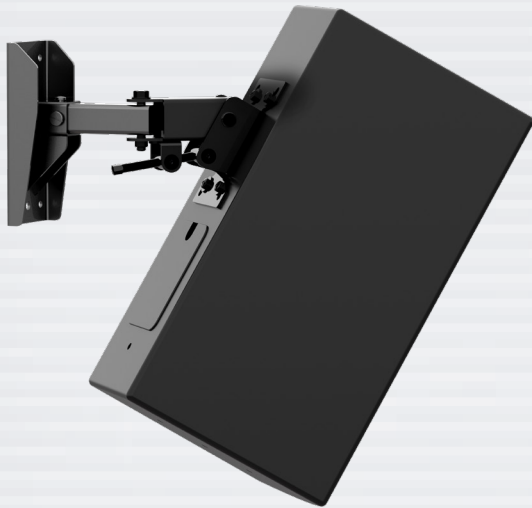


MM-060

80 lb. WLL

PAN & TILT BOTTOM & REAR SPEAKER MOUNT

MULTIMOUNT®

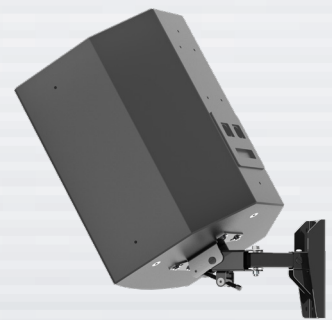


Star Grid

Attaches to back panels

The MM-060 Speaker Wall Mount attaches to the back and bottom panels of loudspeakers and aims them out and away from walls and other vertical structures. Achieve up to 180 degrees of pan angle adjustments and up to 45 degrees of no-drift down-tilt adjustments by way of its unique screw drive tilt mechanism. This fully adjustable wall mount aims speakers into very precise angles that are required to achieve acoustically accurate immersive audio installations, such as Dolby Atmos and other immersive formats. This mount is solidly constructed with built-in safety features and a load-rating of 5:1 design factor. It's two-step installation sequence saves loads of installation time.

- Step 1** Install Wall Plate
- Step 2** Attach Mount to Speaker
- Step 3** Attach Mount to Wall Plate
- Step 4** Aim Speaker



Attaches to bottom panels

STANDARD FEATURES:

- ▶ Precise screw-drive tilt adjustments
- ▶ Clutch style pan angle locks aims and pivots speakers
- ▶ Precise immersive audio adjustments
- ▶ Accommodates common speaker mounting patterns
- ▶ Easy two-step installation sequence.

OPTIONAL ACCESSORIES:

- ▶ WP-16 Wall Stud Adapter
- ▶ Safety Cable kits (See SC Series data sheets)
- ▶ PM-010 Pole Mount
- ▶ See MM-060-EXT-11 (11 inch extension arm)

SPECIFICATIONS:

- Material:** Structural Steel
- Finish:** Powder Coat
- Color:** Black
- Tilt Adjustment:** 45 degrees
- Pan Adjustment:** 180 degrees
- WLL:** 80 lbs. (36.61 Kg) max.
- Design Factor:** 5:1 ratio
- Pack Count:** 1 units/carton

PACKAGE CONTENTS:

- 1 pc** Mount Assembly
- 1 pc** Wall Plate
- 1 pc** Hardware Kit



Rated for indoor use.

ALWAYS INSTALL SAFETY CABLES

WARNING: Mounting and/or suspension of equipment requires experienced professionals. Improperly installed equipment can result in property damage, personal injury and/or liability to the installing contractor.

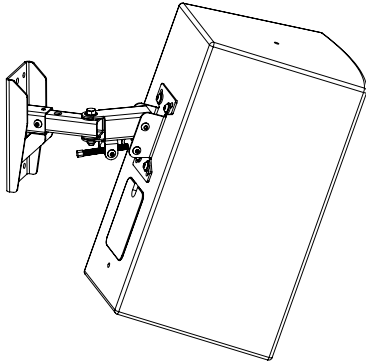
MM-060

60 lb. WLL

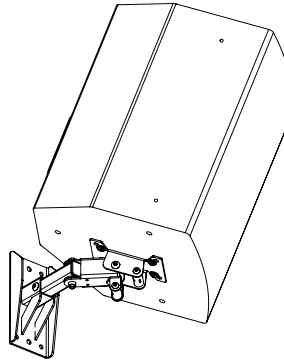
PAN & TILT BOTTOM & REAR SPEAKER MOUNT

MULTIMOUNT®

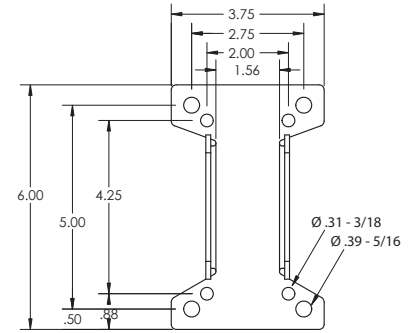
DIMENSIONS:



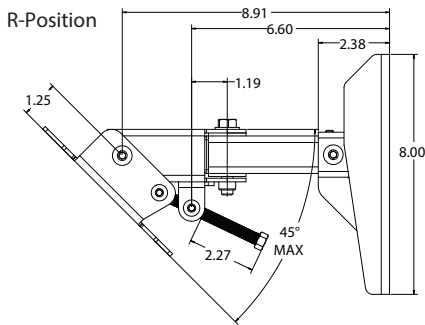
Rear Mount
R-Position



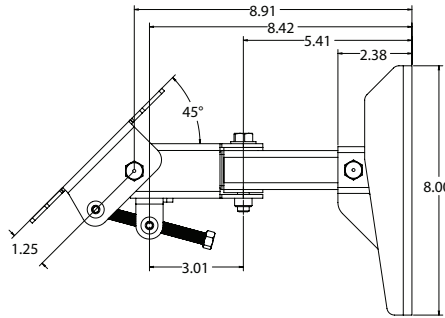
Bottom Mount
B Position



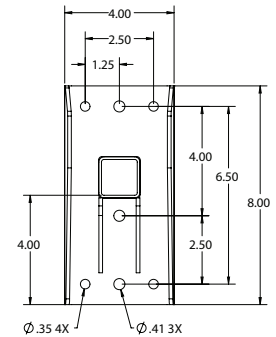
Speaker
Adapter Bracket



45 degrees Max Down Tilt
Rear Mounted



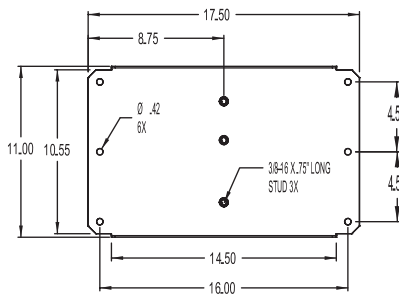
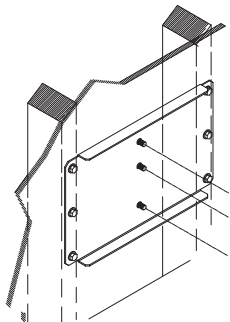
45 degrees Max Up Tilt
Bottom Mounted



Wall Mount Bracket

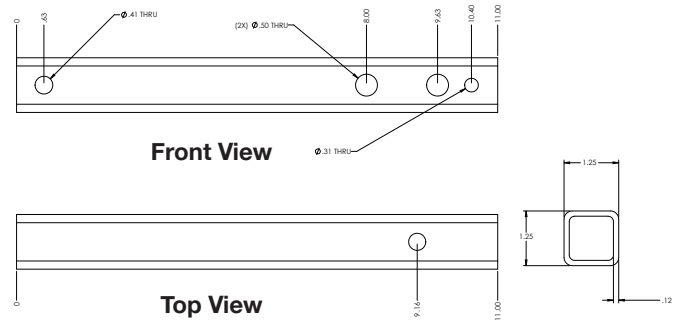
OPTIONAL ACCESSORIES

Wall Stud Plate
WP-16



Front View

11" Extension Arm
MM-060-EXT-11



Front View

Top View